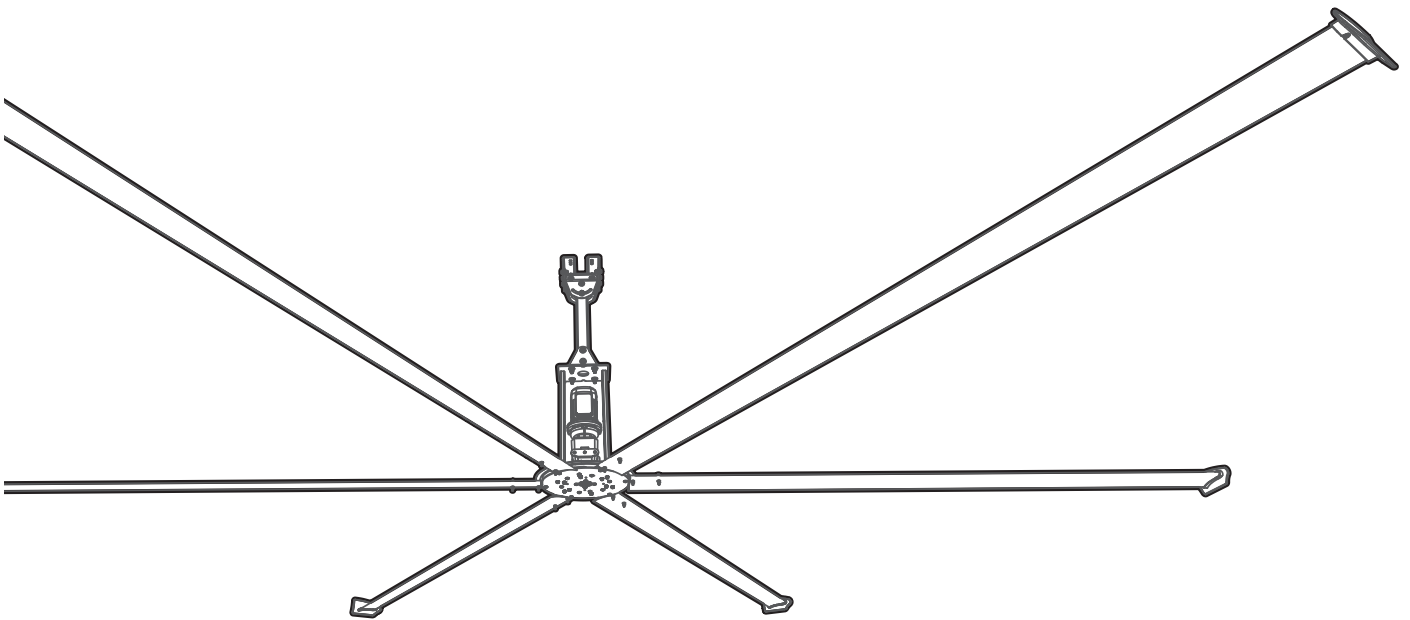




INSTALLATION GUIDE

ShopFan



PRE-INSTALLATION CHECKLIST

My building structure is suitable for fan mounting.

The standard mount included with this fan allows the fan to be hung from angle irons mounted to bar joists or from an I-beam. Do not mount the fan to a single purlin, truss, or bar joist. Consult a structural engineer for mounting methods not covered in this manual.

A structural engineer approved the mounting structure.

The mounting structure must be able to withstand the torque forces generated by the fan.

I am familiar with the function of the safety cables.

The fan will be installed so that the airfoils are at least 10 ft (3 m) above the floor.

The fan will be installed so that the airfoils have a minimum of 2 ft (610 mm) of clearance from obstructions and the building structure.

The distance of the fan from the obstruction should be measured from the edge of the winglets to the obstruction.

The fan will be installed so that it is not subjected to high winds such as from a Heating, Ventilation, and Air Conditioning (HVAC) system or near a large garage door.

If the fan is mounted at the same level or higher than a diffuser, the winglets must be at a distance that is at least 1x the measure of the fan's diameter. If the fan is mounted below a diffuser, the winglets must be at a distance that is at least 2x the measure of the fan's diameter.

The distance between multiple fans will be at least 2.5x the fans' diameter when measured from the centers of the fans.

The airfoils and other fan components are those that were shipped with the motor unit.

If installing multiple fans, do not mix and match fan components.







The supply power circuit is the appropriate size and voltage, and power wiring is routed to the fan's Variable Frequency Drive (VFD) installation site.

See *Supply Power Guidelines* for supply circuit requirements and power wiring guidelines.

If my fan's extension tube is 4 ft (1.2 m) or longer, if the fan is exposed to high winds or crosswinds, or if the fan is installed near any building fixtures, I will secure the fan with the provided guy wires as a safety measure.

The upper mount is the correct size for the mounting structure.

READ AND SAVE THESE INSTRUCTIONS

	<p>WARNING AND CAUTION SYMBOL Indicates a hazard with a medium level of risk that could result in injury or death or damage to property if not avoided.</p>
	<p>ELECTRICAL WARNING SYMBOL Indicates an electrical hazard with a medium level of risk that could result in death or serious injury if not avoided.</p>
	<p>ATTENTION SYMBOL Indicates information critical to installation that should be read before proceeding.</p>
	<p>NOTE SYMBOL Indicates helpful information that is not critical to installation.</p>
	<p>TIP SYMBOL Indicates suggestions that will facilitate the installation process.</p>
	<p>TORQUE SPEC SYMBOL Indicates the torque specifications for the hardware in an installation step.</p>

Great choice! Big Ass Fans® and Big Ass Light® LEDs are an efficient, cost-effective, and seriously cool way to stay comfortable and save energy.

About Big Ass Fans

Our funny name originated with the massive overhead fans we perfected. Today, Big Ass is much more than Big Ass Fans. We over-engineer our fans, lights, and controls without compromising quality, performance, or efficiency. We speak to our customers directly to understand and solve their problems. We don't do things halfway. We go Big Ass, and that's why we have No Equal™.



Installation Guide
December 2018
Rev. A
12/06/2018

Original English Instructions



Conforms to UL STD 507: Electric Fans
Certified to CSA STD C22.2 No. 113: Fans & Ventilators

This product was manufactured in a plant whose Management System is certified as being in conformity with ISO 9001.

Improper installation, delivery, or maintenance, including, but not limited to, any of the following actions by the customer or agent of the customer will constitute a breach of and will void all warranties:

- Failure to follow the required installation procedures specified in this Installation Guide and in all other documentation supplied with the fans and related equipment including documentation provided by the manufacturers of the individual fan and control components;
- Failure to follow all relevant codes and ordinances, including, but not limited to, the National Electrical Code (United States), applicable national and local electrical codes, and state and local building codes;
- Failure to follow electrical engineering industry standards regarding the approved method of installing solid-state electrical equipment having the characteristics of the fans, the fan controls, and their related components, even if such standards are not specifically referenced in any instructions or literature supplied by Big Ass Fans or provided by manufacturers.

All trademarks used herein are the properties of their respective owners. No part of this document may be reproduced or translated into a different language without the prior written consent of Big Ass Fans. The information contained in this document is subject to change without notice. For the most up-to-date information, see the online installation guide at www.bigassfans.com

www.bigassfans.com/patents ▪ www.bigassfans.com/product-warranties

IMPORTANT SAFETY INSTRUCTIONS

WARNING—TO REDUCE THE RISK OF FIRE, ELECTRIC SHOCK, OR INJURY TO PERSONS, OBSERVE THE FOLLOWING:

WARNING: Disconnect power to the installation locations before installing the fan and controller!

WARNING: Installation work and electrical wiring must be done by qualified person(s) in accordance with all applicable codes and standards, including fire-rated construction. Incorrect assembly can cause electric shock or damage the motor and the controller.

WARNING: Installation must be in accordance with the requirements set forth by the National Electrical Code (NEC), ANSI/NFPA 70, and all national and local codes.

WARNING: The fan should not be installed unless the structure on which it is to be mounted is of sound construction, undamaged, and capable of supporting the load of the fan and its method of mounting. A structural engineer should verify the structure is adequate prior to installation. Verifying the stability of the mounting structure is the sole responsibility of the customer and/or end user, and Big Ass Fans hereby expressly disclaims any liability arising therefrom, or arising from the use of any materials or hardware other than those supplied by Big Ass Fans or otherwise specified in these installation instructions.

WARNING: The fan must be installed with parts that are marked (on their cartons) to indicate suitability with this model. Other similar parts cannot be substituted.

WARNING: To reduce the risk of fire, electric shock, and injury to persons, Big Ass Fans must be installed with Big Ass Fans-supplied controllers. Other parts cannot be substituted.

CAUTION: For VFDs that do not contain fusing, power must be supplied via a dedicated circuit breaker, properly fused disconnect, or other suitable means of branch circuit, short circuit, and ground fault protection. Refer to your national and local electrical codes for requirements.

ATTENTION: If installing the fan in the United States, the fan must be installed per the following National Fire Protection Association (NFPA) guidelines:

- The fan must be centered approximately between four adjacent sprinklers.
- The vertical distance from the fan to the sprinkler deflector must be at least 3 ft (914 mm).
- The fan must be interlocked to shut down immediately upon receiving a waterflow signal from the alarm system.

WARNING: Ensure there are no persons below the fan during installation.

WARNING: When cutting or drilling into a wall or ceiling, do not damage electrical wiring and other hidden utilities.

CAUTION: The main fan unit is heavy. Use caution when raising it. A suitable means for lifting the weight of the fan, such as a scissor lift, and at least two installation personnel will be required.

WARNING: The fan VFD contains high voltage capacitors which take time to discharge after removal of mains supply. Before working on the VFD, ensure isolation of main supply from line inputs at the VFD or fan controller's disconnect. Wait three minutes for capacitors to discharge to safe voltage levels. Failure to do so may result in personal injury or death. Darkened display LEDs are not an indication of safe voltage levels.

CAUTION: The installation of this fan requires the use of some power tools. Follow the safety procedures found in the owner's manual for each of these tools and do not use them for purposes other than those intended by the manufacturer.

CAUTION: Do not bend the airfoils when installing, servicing, or cleaning the fan. Do not insert foreign objects between rotating airfoils.

CAUTION: Mounting of the suspension system and replacement of parts of the safety suspension system shall be performed by the manufacturer, its service agent, or suitably qualified persons.

WARNING: Use this unit only in the manner intended by the manufacturer. If you have questions, contact the manufacturer.

WARNING: If unusual oscillating movement is observed, immediately stop using the ceiling fan and contact the manufacturer, its service agent, or suitably qualified persons.

CAUTION: Do not operate any fan with a damaged cord or plug. Discard fan or return to an authorized service facility for examination and/or repair.

WARNING: This appliance is not intended for use by persons (including children) with reduced physical, sensory, or mental capabilities, or lack of experience and knowledge, unless they have been given supervision or instruction concerning use of the appliance by a person responsible for their safety. Children should be supervised to ensure that they do not play with the appliance.

WARNING: Risk of fire, electric shock, or injury to persons during cleaning and user maintenance. Disconnect the appliance from the power supply before servicing.

WARNING: Before servicing or cleaning unit, switch power off at service panel and lock the service disconnecting means to prevent power from being switched on accidentally. When the service disconnecting means cannot be locked, securely fasten a prominent warning device, such as a tag, to the service panel.

WARNING: When service or replacement of a fan component requires the removal or disconnection of a safety device, the safety device is to be reinstalled or remounted as previously installed.

CAUTION: The Big Ass Fans product warranty will not cover equipment damage or failure that is caused by improper installation or use.

CAUTION: The following information is merely a guide for proper installation. Big Ass Fans cannot assume responsibility for the compliance or non-compliance to any code, national, local, or otherwise for the proper installation of these fan controllers, fans, or associated equipment.

Suitable for industrial use only.

WHERE TO INSTALL YOUR FAN

Before installation, make sure the building structure and fan location meet the following requirements.

Mounting guidelines

- ✓ The standard mount included with this fan allows the fan to be hung from angle irons mounted to bar joists or from an I-beam. Do not mount the fan to a single purlin, truss, or bar joist. Consult a structural engineer for mounting methods not covered in this manual.
- ✓ Big Ass Fans does not recommend mounting the fan to a fabricated I-beam. Fans mounted to fabricated I-beams, which are common in steel buildings, could cause the beam to flex and the fan to move significantly during operation.
- ✓ The fan must be installed so that it hangs vertically and horizontally level from the mounting structure.
- ✓ The fan's lateral movement must be secured using guy wires if the fan's extension tube is 4 ft (1.2 m) or longer, if the mounting structure requires it, if the fan is exposed to high winds or crosswinds, or if the fan is close to any building fixtures.

Clearance guidelines

If your fan application does not meet these requirements, contact Customer Service to discuss alternative installations or other fan options.

General clearance

- ✓ The fan must be installed so that it is at least 10 ft (3 m) above the finished floor.
- ✓ Multiple fans must be spaced at a center-to-center distance that is no less than 2.5x the fan diameter.
- ✓ All fan parts must be ≥ 2 ft (610 mm) from all obstructions. The fan installation area must be free of obstructions such as lights, cables, sprinklers, or other building structure components.
- ✓ If the fan is mounted at the same level or higher than an HVAC diffuser, the winglets must be at a distance that is at least 1x the measure of the fan's diameter. If the fan is mounted below an HVAC diffuser, the winglets must be at a distance that is at least 2x the measure of the fan's diameter.
- ✓ See the manufacturer's requirements for the minimum clearance to combustibles.

Ceiling clearance

The fan must be installed at the distance listed below according to your fan size. The distance from the ceiling should be measured from the top of the winglets to the ceiling.

Fan Diameter	Distance from Ceiling
14 ft (4.3 m)	5 ft (1.5 m)

SUPPLY POWER GUIDELINES

Before beginning fan installation, route power wiring to the VFD installation site. Refer to the minimum supply circuit requirements for your fan size below.

Diameter	Minimum Circuit Size ¹
14 ft (4.3 m)	20 A @ 100–125 V, 1 Φ

1. All VFDs produce three-phase output power regardless of input phase.

Power wiring guidelines

- ✓ **Dedicated Branch Circuit Protection.** Each fan requires dedicated branch circuit protection.
- ✓ **Conduit.** VFD output/motor input leads cannot share a conduit with any other controller's AC supply feed.
- ✓ **Local Disconnect.** If required, a local disconnect should be installed per all national and local codes.
- ✓ **Manual Disconnect.** To satisfy some local code requirements, it may be necessary to install a manual disconnect at the fan motor location when the fan is not within line-of-sight of the controller.
- ✓ **Lead Extension.** If you need to extend the VFD output/motor input leads, use stranded wire.

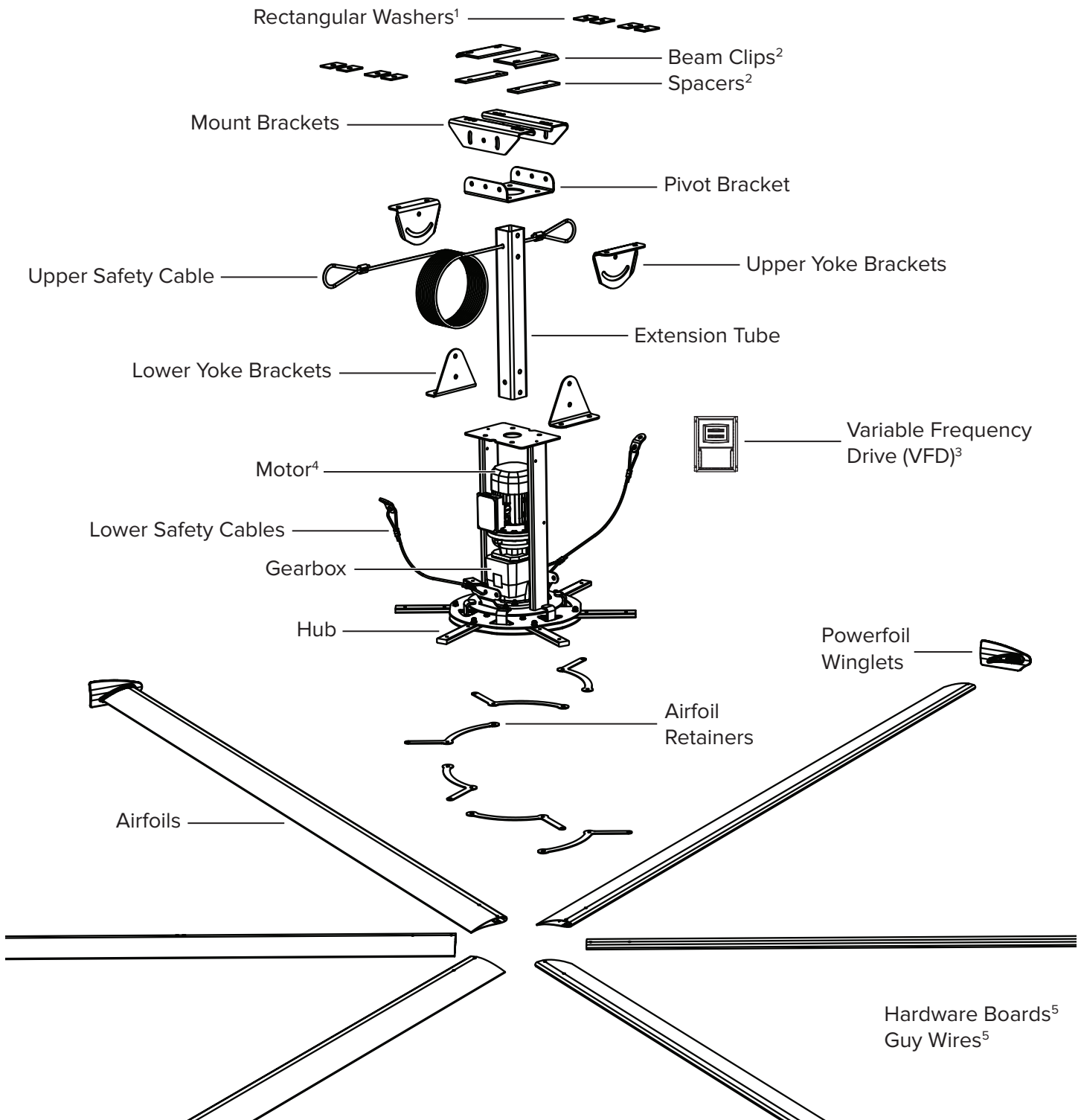
TOOLS AND EQUIPMENT

A suitable means for lifting the weight of the fan, such as a scissor lift, at least two personnel, and the following tools will be needed. Depending on your application, additional tools may be required.

- Standard wrench set
- Standard socket set and ratchet
- Torque wrench capable of 40 ft·lb (54.2 N·m) with 3/4" (19 mm) and 1/2" (13 mm) sockets
- Phillips and flat head screwdrivers
- Standard allen wrench set
- 1/4" (6 mm) nut driver
- 5/16" (8 mm) nut driver
- #10 to #14 AWG strippers
- Medium channel locks
- Multimeter
- Level

FAN DIAGRAM

Contact Customer Service if you are missing any parts or hardware. If you ordered multiple fans, keep the components of each fan together. Each fan has differently rated components that are not interchangeable.

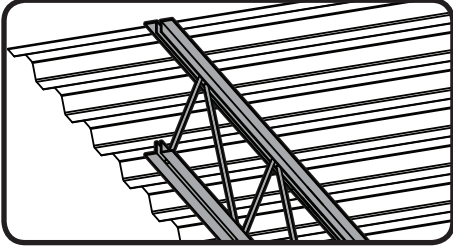


1. Used only if mounting fan to bar joists. The number needed depends on the number of angle irons used.
 2. Used only if mounting fan to an I-beam. Spacers are used only when the I-beam flange exceeds 3/8" (10 mm).
 3. Includes a 10-ft (3-m) pre-attached AC supply cord, a pre-installed Electronic Programming Module (EPM), and a fire relay.
 4. The fan includes a 50-ft (15.2-m) pre-attached motor cord that must be wired to the VFD.
 5. Not shown. Guy wires are included only if the fan's lateral movement needs to be restrained.

MOUNTING GUIDE

Consult a structural engineer to determine the appropriate mounting method for your building structure. The safety cables are required for all mounting methods.

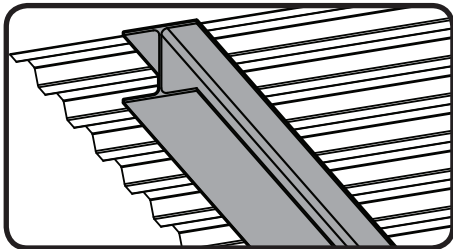
Bar Joists



See *Preparing the Mounting Structure: Bar Joists* for instructions.

- The installer must supply angle irons and suitable 1/2"-13 Grade 8 mounting hardware.
- Do not install the fan from a single purlin, truss, or bar joist.
- Angle iron spans should not exceed 12 ft (3.7 m).
- The angle irons must be fastened to the roof structure at each end.
- Do not use beam clips on angle irons.

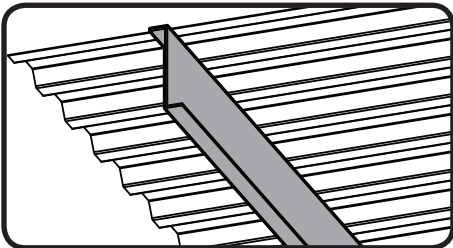
I-Beam



See *Preparing the Mounting Structure: I-Beam* for instructions.

- Big Ass Fans does not recommend mounting the fan to a fabricated I-beam.
- Do not mount the fan directly to an I-beam without the upper mount, extension tube, and lower yoke.
- The I-beam must be part of the existing building structure.
- Install spacers if the flange thickness exceeds 3/8" (10 mm).
- For an angled I-beam or pitched roof, the beam flange width must be 5" to 9-7/8" (127 to 251 mm).

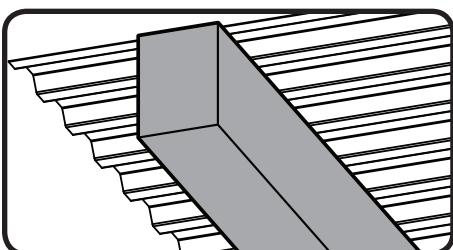
Z-Purlins



See the instructions included with the Z-Purlin Kit.

- Purlin length: ≤ 30 ft (9.1 m)
- Purlin spacing: ≤ 5 ft (1.5 m)
- Purlins must be made from minimum 14 gauge steel.
- The angle iron length must be ≤ 5 ft (1.5 m) and 1 in. (25 mm) less than the distance between purlins.
- Angle iron W x H x T = 3" x 3" x 1/4" (76 x 76 x 6 mm)

Solid Beam



See the instructions included with the L-Bracket Kit.

- Beam thickness up to 14-3/8" (365 mm) for small upper mount or 8-3/8" to 19-1/8" (213 to 486 mm) for large upper mount.
- The installer must supply suitable 1/2"-13 Grade 8 mounting hardware.

PREPARING THE MOUNTING STRUCTURE: BAR JOISTS

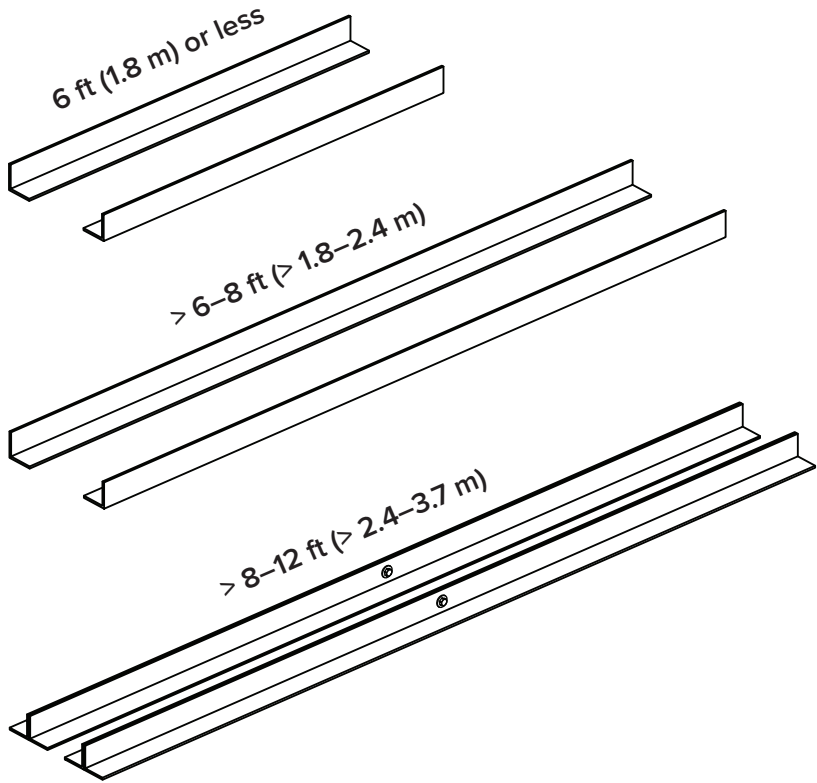
Bar joist mounting guidelines

- ✓ The fan must be hung from angle irons mounted to bar joists.
- ✓ The installer must supply the angle irons and angle iron hardware.
- ✓ Do not install the fan from a single purlin, truss, or bar joist.
- ✓ Angle iron spans should not exceed 12 ft (3.7 m).
- ✓ The angle irons must be fastened to the roof structure at each end.

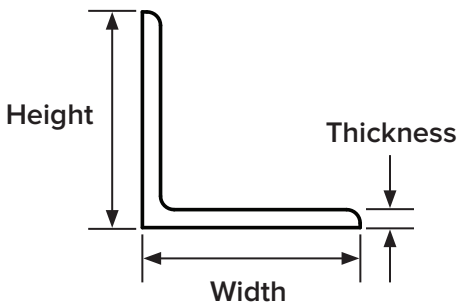
1. Select proper angle irons

Angle Iron Span (between mounting points)	Minimum Angle Iron Dimensions (W x H x T)	Number of Angle Irons Needed
6 ft (1.8 m) or less	2.5" x 2.5" x 0.25" (64 x 64 x 6 mm)	2
> 6 to 8 ft (> 1.8 to 2.4 m)	3" x 3" x 0.25" (76 x 76 x 6 mm)	2
> 8 to 12 ft (> 2.4 to 3.7 m)	3" x 3" x 0.25" (76 x 76 x 6 mm)	4 ¹

1. Two pairs of angle irons needed



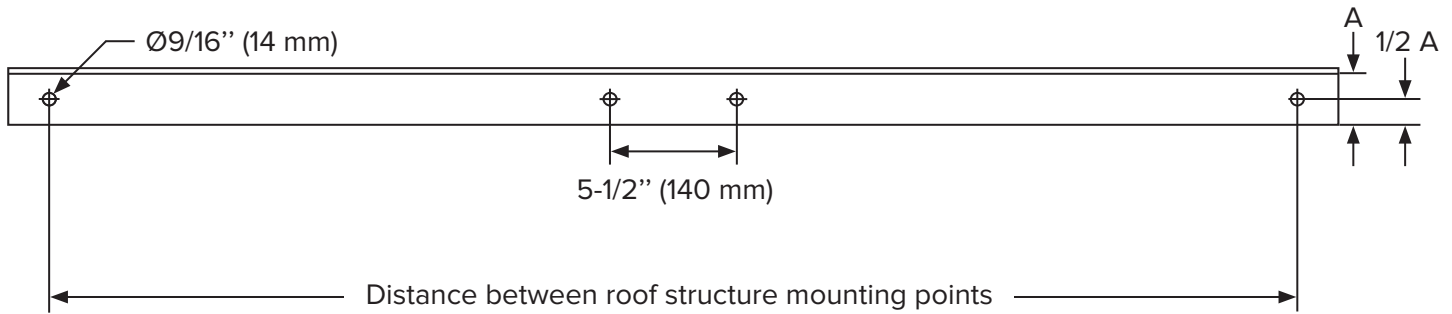
Angle Iron Side View
(see table for dimensions)



2. Drill angle irons

Drill two $\text{\O}9/16''$ (14 mm) holes exactly $5\text{-}1/2''$ (140 mm) apart in the centers of two angle irons.

Measure the distance between the roof structure mounting points that the angle irons will span. Measure the same distance on the angle irons and drill a $\text{\O}9/16''$ (14 mm) hole through each end of the angle irons. Drill holes in the ends of two angle irons if the span is 8 ft (2.4 m) or less. Drill holes in the ends of four angle irons if the span is greater than 8 ft (2.4 m).



3. Fasten angle irons together (if span is > 8 ft [2.4 m])

If the angle iron span is 8 ft (2.4 m) or less, skip to step 4.

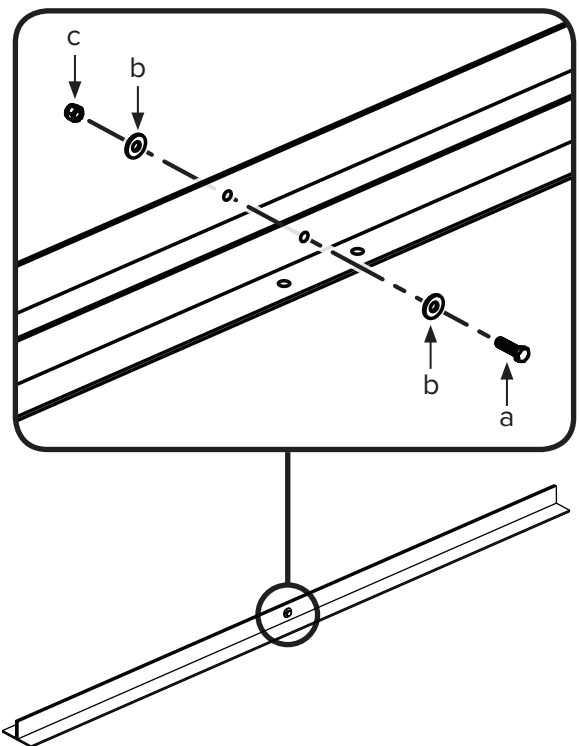
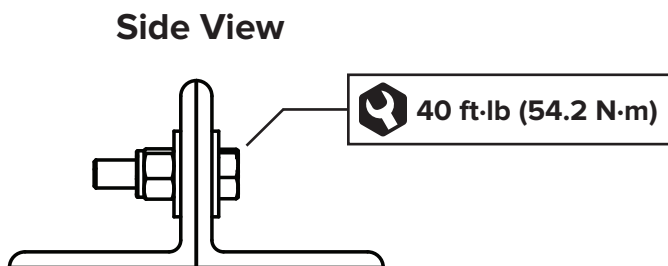
If the angle iron span is longer than 8 ft (2.4 m), use double angle irons. Locate the center of the angle irons. Drill a $\text{\O}9/16''$ (14 mm) hole in the center of the vertical wall of each angle iron. Drill a total of four angle irons.

Place two drilled angle irons back to back and fasten them together with Grade 8 hardware. Align the angle irons to each other and tighten the bolts to **40 ft·lb (54.2 N·m)** using a torque wrench and $3/4''$ (19 mm) socket.

Repeat this step for the remaining two angle irons.

Grade 8 Angle Iron Hardware (Installer-Supplied):

- (2) $1/2\text{-}13$ GR 8 Bolt
- (4) $1/2''$ GR 8 Washer
- (2) $1/2\text{-}13$ GR 8 Nylock Nut

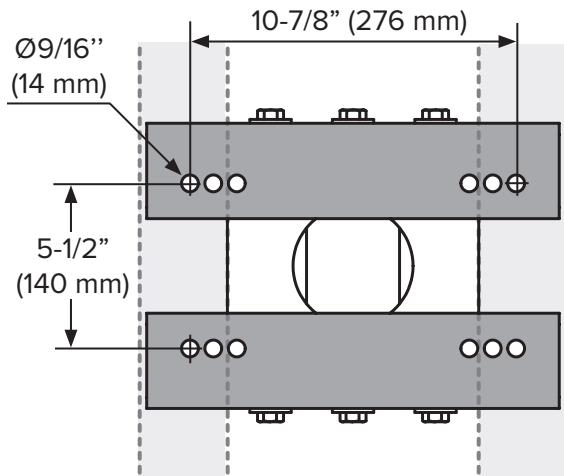


4. Determine roof structure mounting points

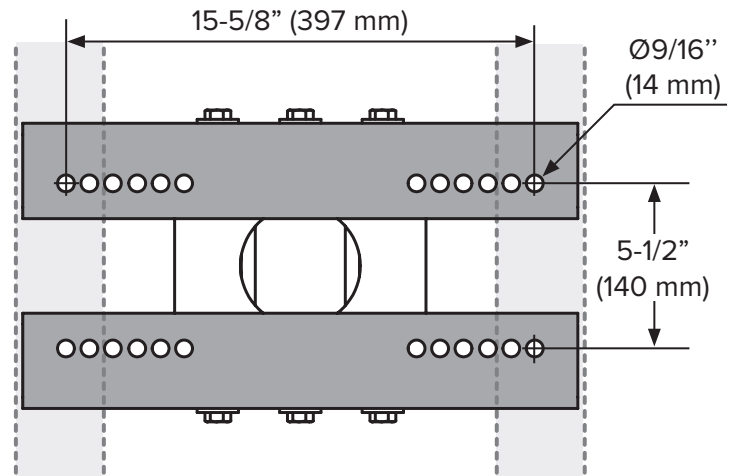


The angle irons should be aligned with the outermost holes of the upper mount.

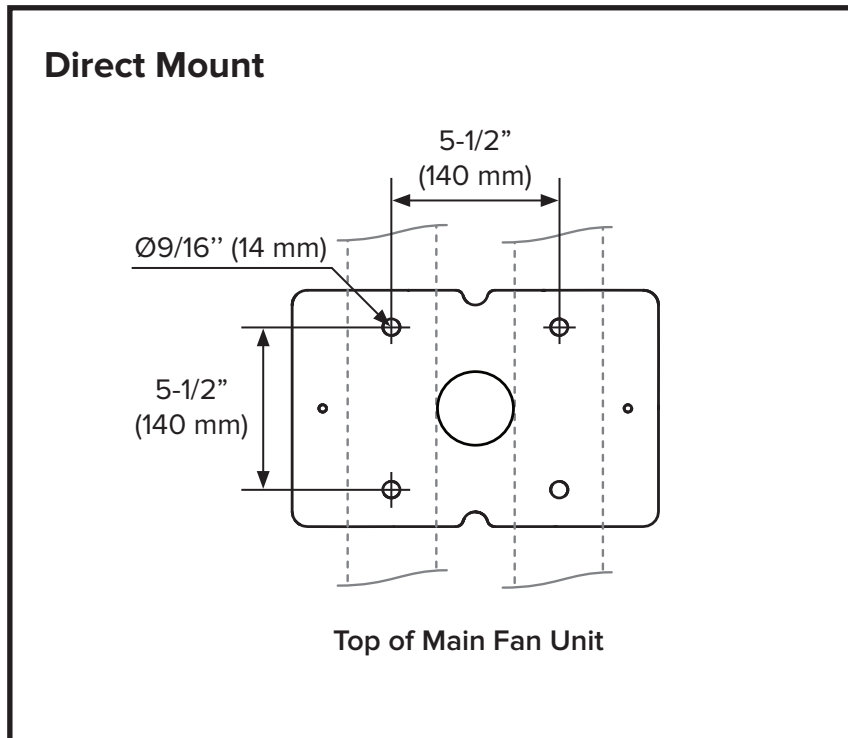
Determine the mounting points in the roof structure for the angle irons. Consult the appropriate diagram below for distances between the angle irons. Dashed lines represent angle irons.



Small Upper Mount (Standard)
13-3/4" x 9-1/2" (349 x 241 mm)



Large Upper Mount (Optional)
18-1/2" x 9-1/2" (470 x 241 mm)



5. Fasten angle irons to roof structure mounting points

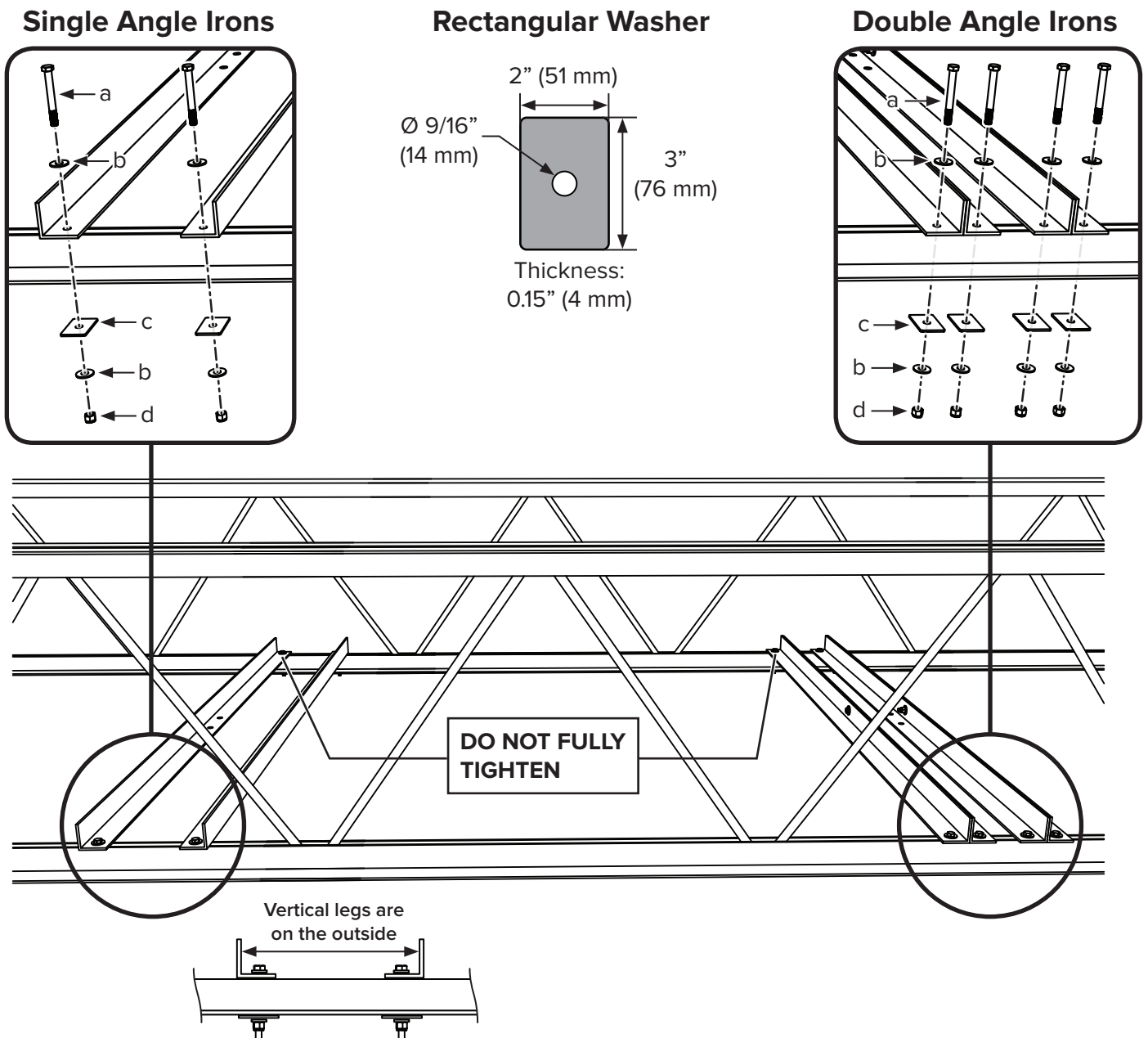
Fasten the angle irons to the roof structure mounting points at each end with Grade 8 hardware. Do not fully tighten the hardware.

Single Angle Irons: Position the angle irons so that the horizontal legs face each other (vertical legs are on the outside).

Double Angle Irons: Position the angle irons with fan mounting holes on the inside, facing each other.

Grade 8 Angle Iron Hardware (Installer-Supplied):

- (4 or 8) 1/2-13 GR 8 Bolt
- (8 or 16) 1/2" GR 8 Washer
- (4 or 8) 2" x 3" (51 x 76 mm) Rectangular Washer (supplied; see diagram)
- (4 or 8) 1/2-13 GR 8 Nylock Nut



PREPARING THE MOUNTING STRUCTURE: I-BEAM

I-Beam mounting guidelines

- ✓ Big Ass Fans does not recommend mounting the fan to a fabricated I-beam.
- ✓ Do not mount the fan directly to an I-beam without the upper mount, extension tube, and lower yoke.
- ✓ The I-beam must be part of the existing building structure.

Select mounting holes

Measure the flange width of the I-beam from which the fan will be hung. Select the upper mount mounting holes that match the flange width.

Small Upper Mount (Standard)

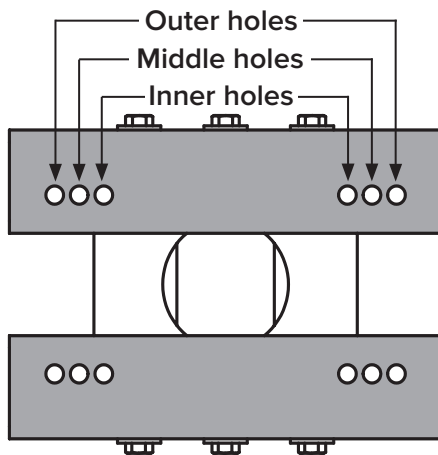
13-3/4" x 9-1/2" (349 x 241 mm)

I-Beam Flange Width	Mounting Holes
5" to 6-5/8" (127 to 168 mm)	Inner holes
> 6-5/8" to 8-1/4" (> 168 to 210 mm)	Middle holes
> 8-1/4" to 9-7/8" (> 210 to 251 mm)	Outer holes

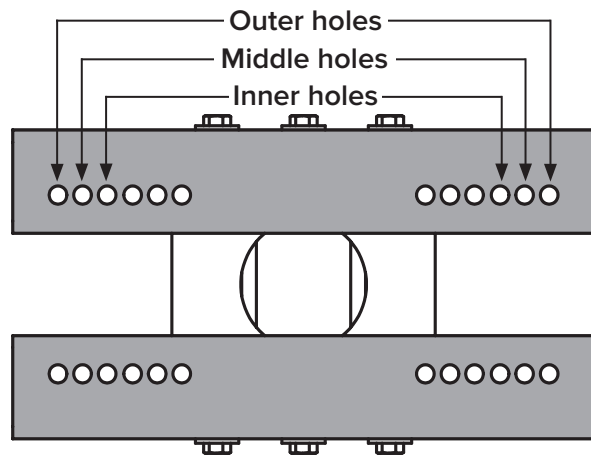
Large Upper Mount (Optional)

18-1/2" x 9-1/2" (470 x 241 mm)

I-Beam Flange Width	Mounting Holes
9-7/8" to 11-3/8" (251 to 289 mm)	Inner holes
> 11-3/8" to 13" (> 289 to 330 mm)	Middle holes
> 13" to 14-5/8" (> 330 to 371 mm)	Outer holes



Small Upper Mount (Standard)
13-3/4" x 9-1/2" (349 x 241 mm)



Large Upper Mount (Optional)
18-1/2" x 9-1/2" (470 x 241 mm)

INSTALLING THE FAN

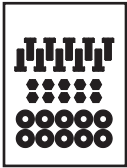
 **WARNING:** Disconnect power to the installation locations before installing the fan and controller!

1. Assemble upper mount

If you are mounting the fan directly to angle irons without the upper mount, extension tube, and lower yoke, skip to step 7b.

Attach the upper yoke brackets to the pivot bracket with the Standard Mount Hardware. Tighten the bolts to **40 ft-lb (54.2 N·m)** using a torque wrench and 3/4" (19 mm) socket.

Loosely attach the mount brackets to the pivot bracket with the remaining Standard Mount Hardware. Install the center bolts first. **Do not fully tighten the hardware.** This allows for angle adjustments after the upper mount is attached to the mounting structure.

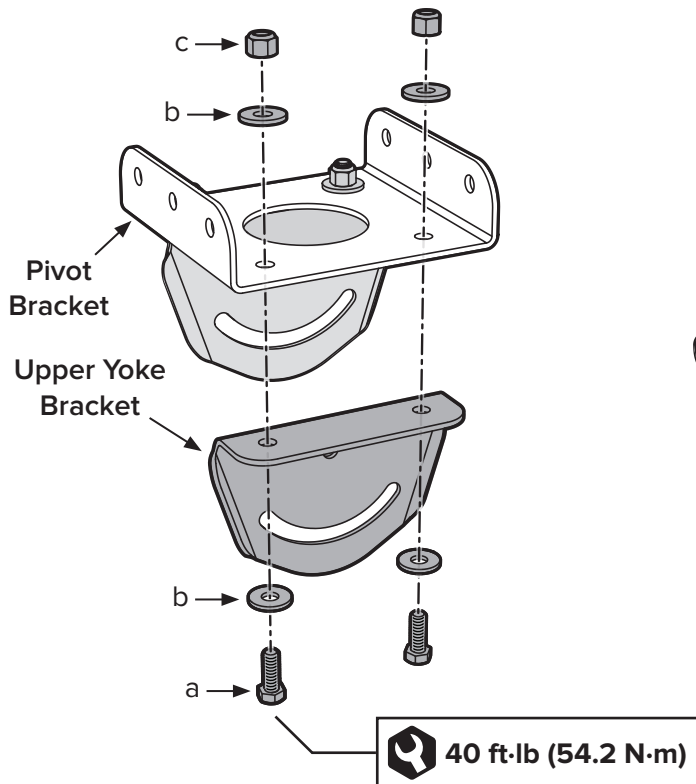


Standard Mount
Hardware Board

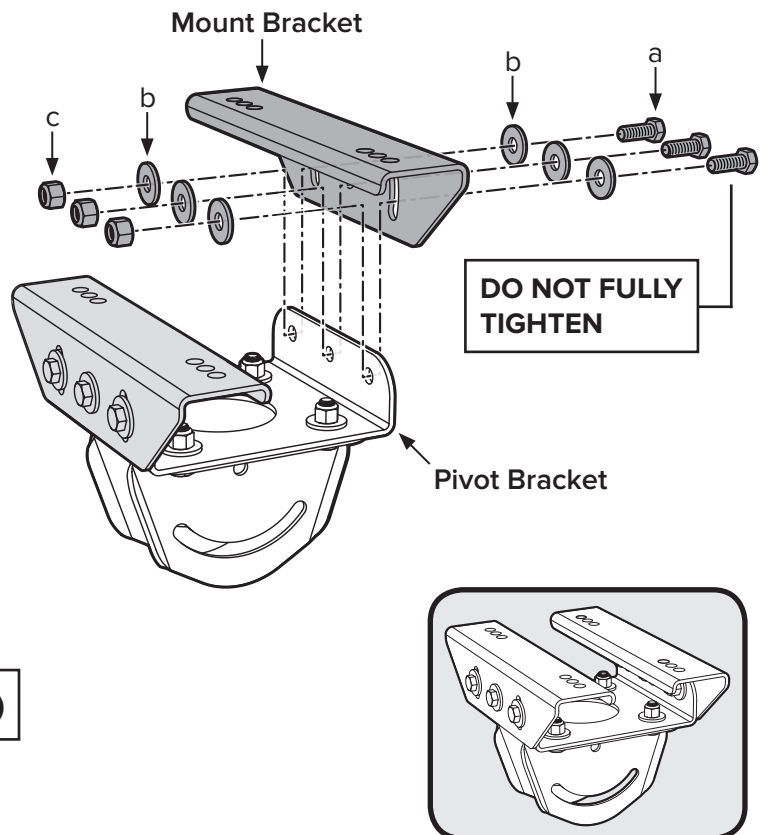
Standard Mount Hardware:

- (10) 1/2-13 x 1-1/2" GR 8 Bolt
- (20) 1/2" Flat Washer
- (10) 1/2-13 Nylock Nut

Install Upper Yoke Brackets



Install Mount Brackets

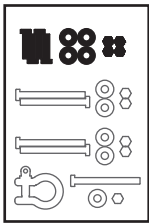


2. Attach upper mount to mounting structure



Angle irons should be aligned with the outermost holes of the upper mount.
 Do not use beam clips on angle irons.
 Spacers are used only on I-beams when the beam flange exceeds 3/8" (10 mm).
 Make sure the spacers are oriented as shown.

Secure the upper mount to the angle irons or I-beam with the Mounting Structure Hardware. Tighten the bolts to **40 ft·lb (54.2 N·m)** using a torque wrench and 3/4" (19 mm) socket. After securing the upper mount to the angle irons, tighten all the bolts securing the angle irons to the roof structure to **40 ft·lb (54.2 N·m)** using a torque wrench and 3/4" (19 mm) socket.

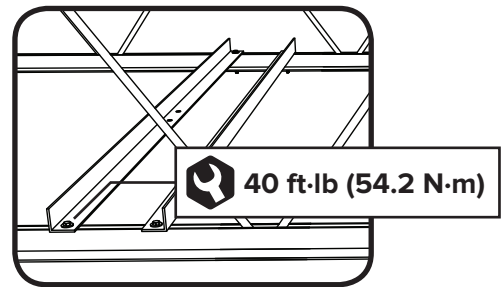


Industrial Mounting Hardware Board

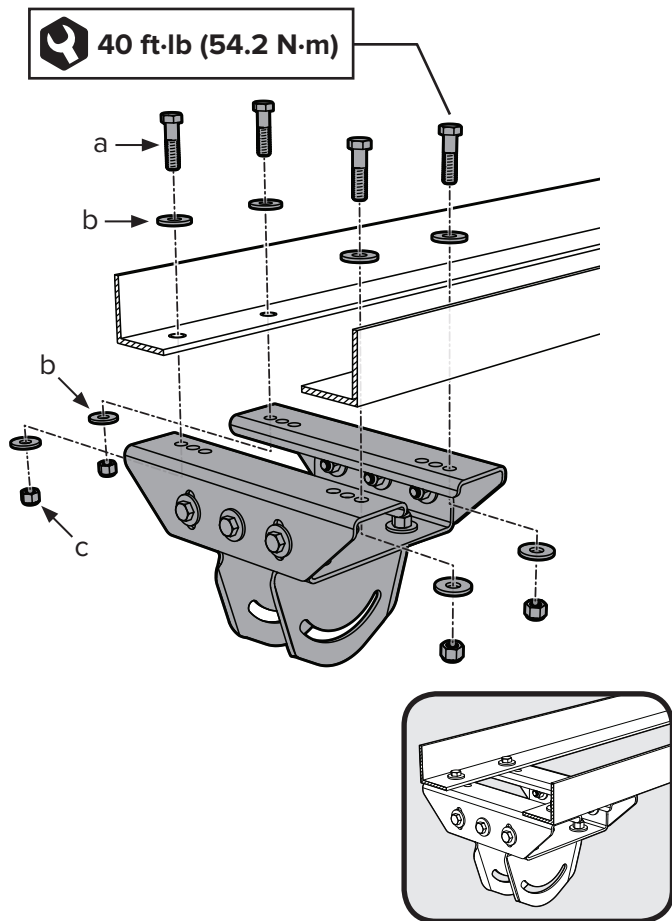
Mounting Structure Hardware:

- (4) 1/2-13 x 2" GR 8 Bolt
- (8) 1/2" Flat Washer
- (4) 1/2-13 Nylock Nut
- (2) Beam Clip (I-beam only)
- (2) Spacer (I-beam only if beam flange exceeds 3/8" [10 mm])

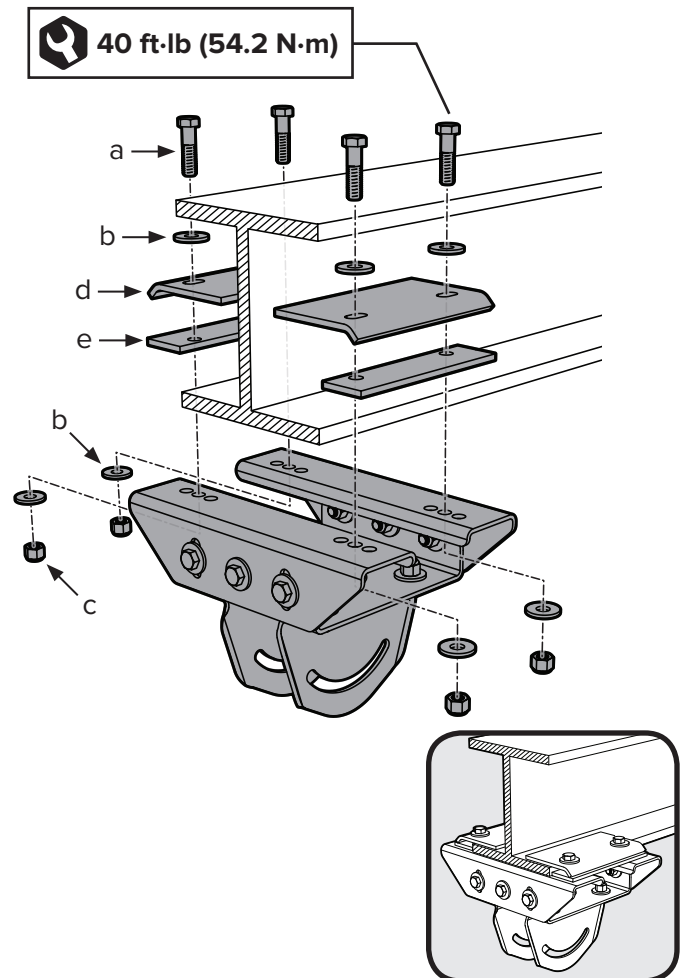
Roof Structure



Angle Irons

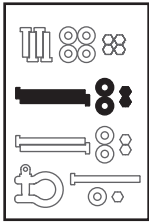


I-Beam



3. Install extension tube

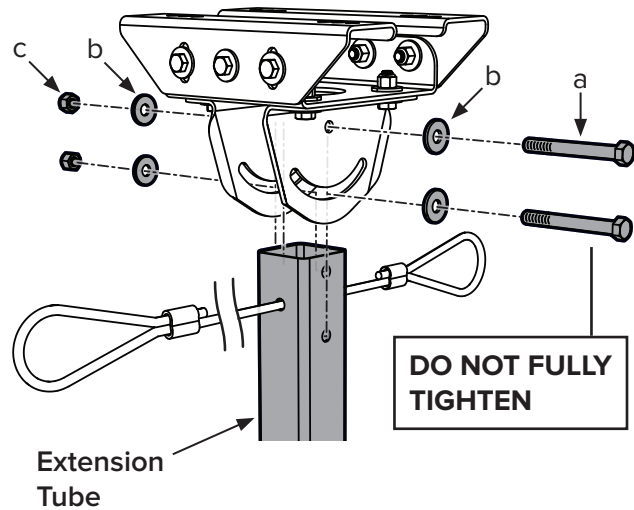
Attach the extension tube to the upper mount with the Extension Tube Hardware. Do not fully tighten the hardware.



Industrial Mounting Hardware Board

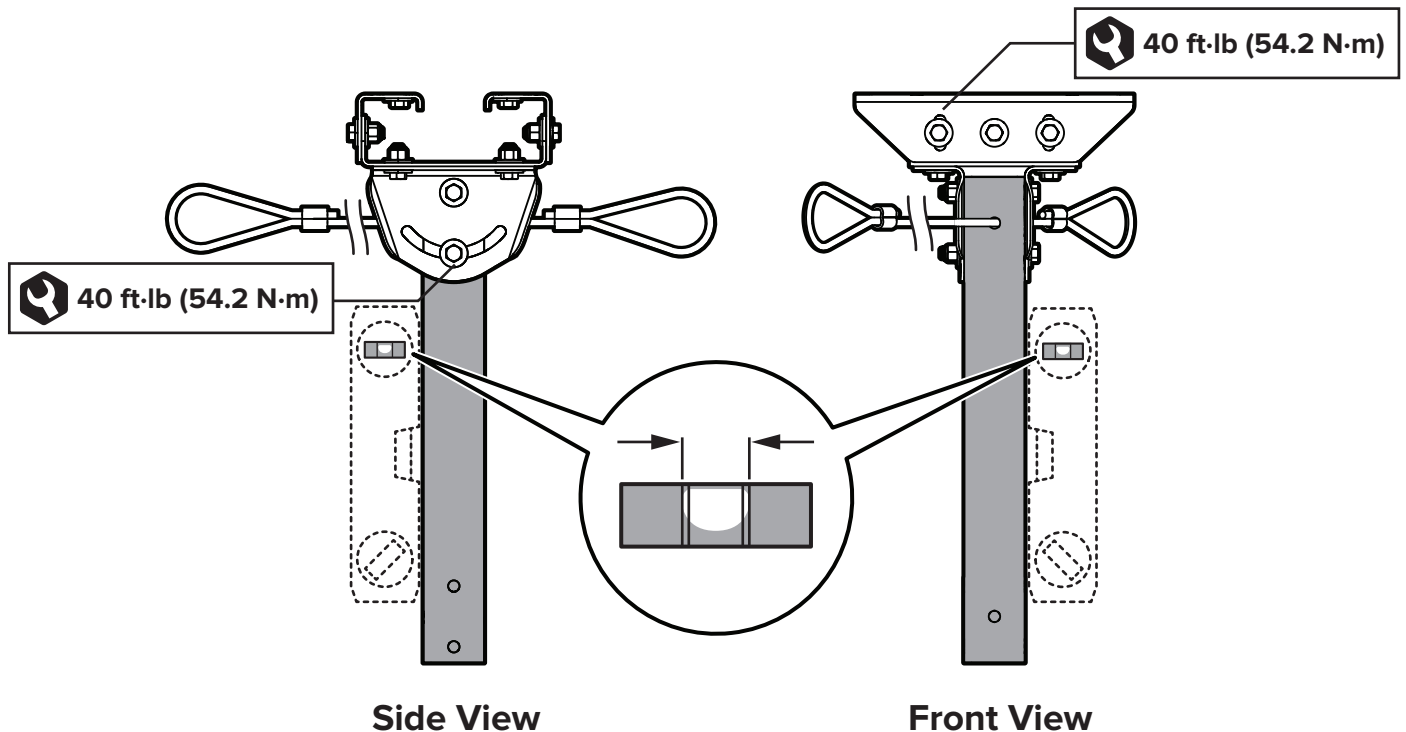
Extension Tube Hardware:

- a. (2) 1/2-13 x 5" GR 8 Bolt
- b. (4) 1/2" Flat Washer
- c. (2) 1/2-13 Nylock Nut



4. Confirm orientation and tighten hardware

Allow the extension tube to hang so that it is vertically and horizontally level, making any necessary angle adjustments to the upper mount. When the tube is properly positioned, tighten the Extension Tube Hardware and the Standard Mount Hardware to **40 ft·lb (54.2 N·m)** using a torque wrench and 3/4" (19 mm) socket. Tighten the center Standard Mount Hardware bolts first.

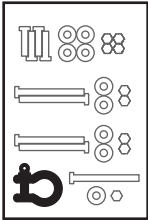


5. Secure upper safety cable



The upper safety cable is a crucial part of the fan and must be installed correctly. If you have any questions, contact Customer Service for assistance.

Wrap the upper safety cable (pre-attached to extension tube) around the angle irons or I-beam and secure the looped ends with the shackle. The cable must be drawn tightly around the mounting structure, leaving as little slack as possible with the shackle on the topside of the mounting structure. Securely tighten the shackle.

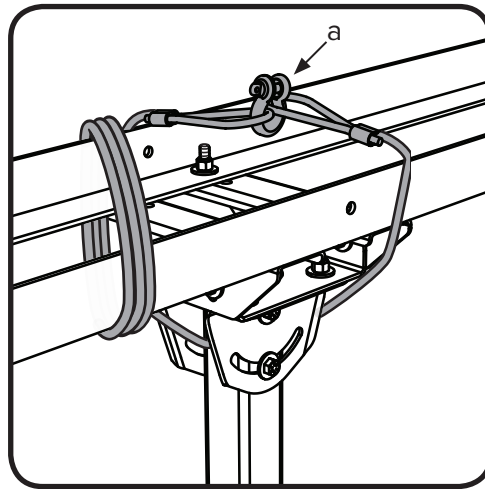


Industrial Mounting Hardware Board

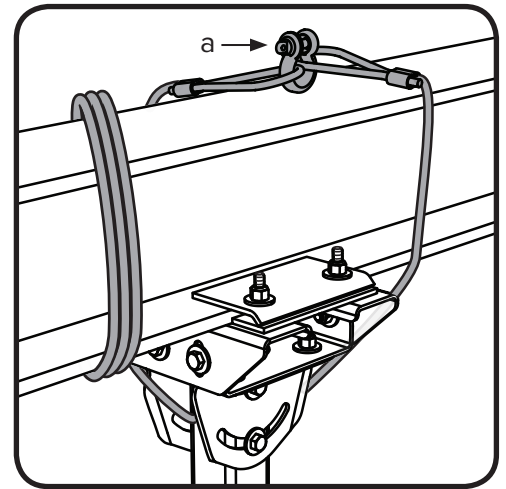
Safety Cable Hardware:

- a. Shackle

Angle Irons

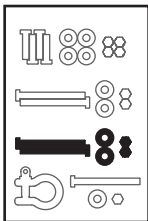


I-Beam



6. Install lower yoke brackets

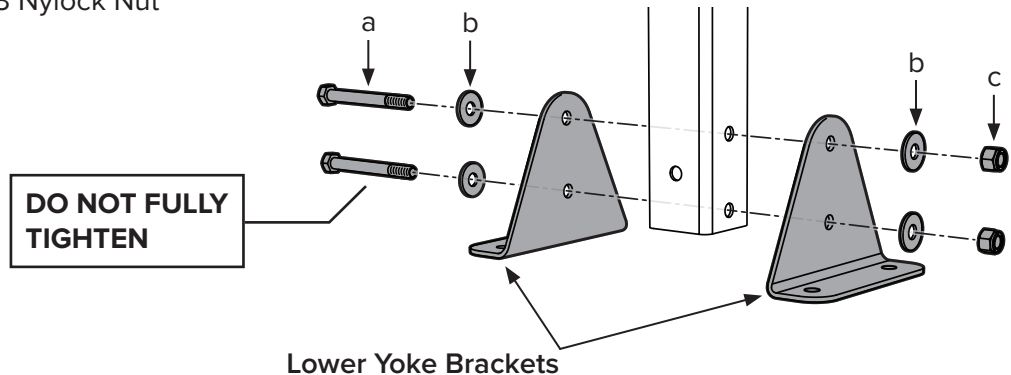
Attach the lower yoke brackets to the bottom of the extension tube with the Lower Yoke Hardware. **Do not fully tighten the hardware.**



Industrial Mounting Hardware Board

Lower Yoke Hardware:

- a. (2) 1/2-13 x 5" GR 8 Bolt
- b. (4) 1/2" Flat Washer
- c. (2) 1/2-13 Nylock Nut



7a. Install main fan unit

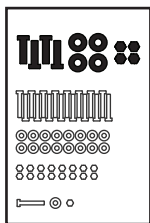
If you are mounting the fan directly to angle irons without the upper mount, extension tube, and lower yoke, skip to step 7b.



The lower safety cables are a crucial part of the fan and must be installed correctly. If you have any questions, contact Customer Service for assistance.

Attach the main fan unit to the lower yoke brackets with the Motor Unit Hardware. Do not rest the main fan unit on the ground. Tighten the bolts to **40 ft-lb (54.2 N·m)** using a torque wrench and 3/4" (19 mm) socket.

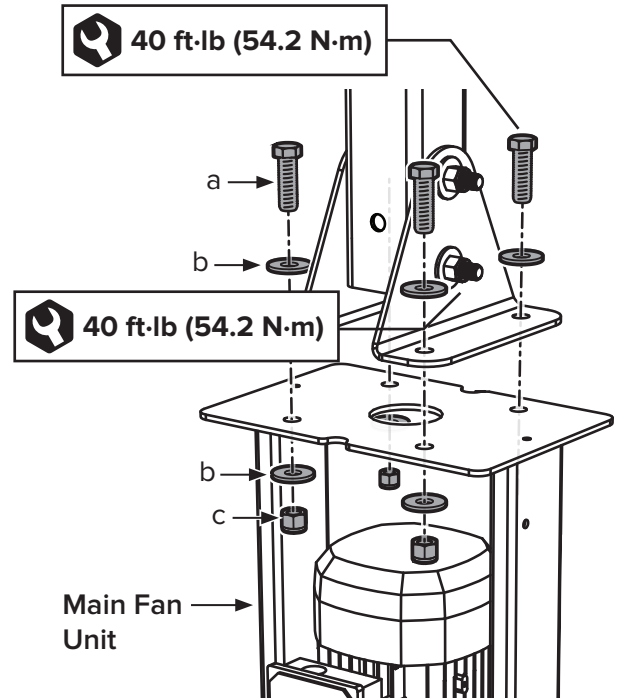
After securing the main fan unit to the lower yoke brackets, tighten the bolts securing the lower yoke brackets to the extension tube to **40 ft-lb (54.2 N·m)** using a torque wrench and 3/4" (19 mm) socket.



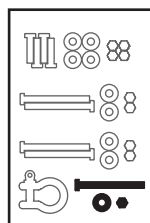
Motor Unit & Airfoil Hardware Board

Motor Unit Hardware:

- a. (4) 1/2-13 x 1-3/4" GR 8 Bolt
- b. (8) 1/2" Flat Washer
- c. (4) 1/2-13 Nylock Nut



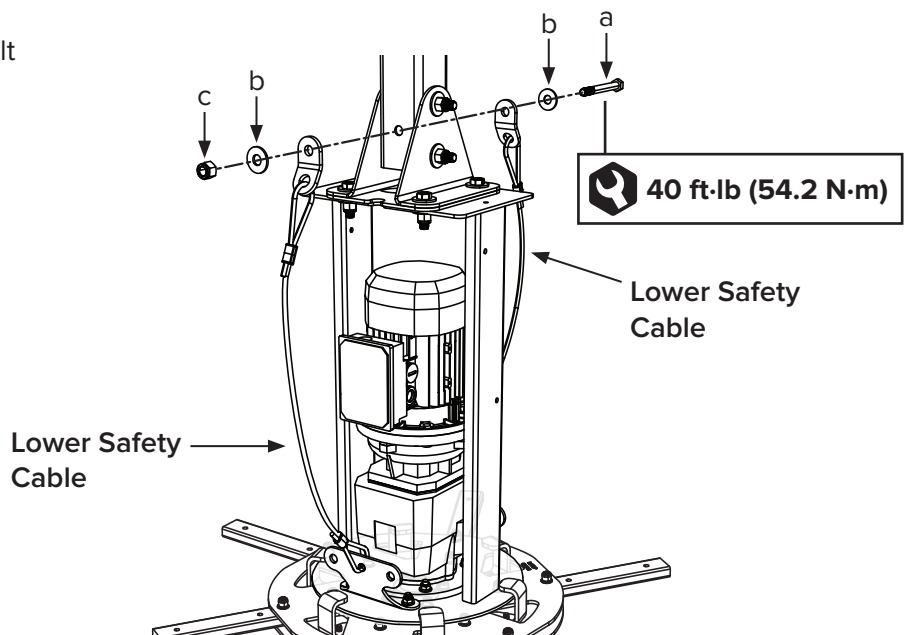
Secure the two lower safety cables (pre-attached to main fan unit) to the bottom of the extension tube with the Safety Cable Hardware. Tighten the bolt to **40 ft-lb (54.2 N·m)** using a torque wrench and 3/4" (19 mm) socket.



Industrial Mounting Hardware Board

Safety Cable Hardware:

- a. 1/2-13 x 4-3/4" GR 8 Bolt
- b. (2) 1/2" Flat Washer
- c. 1/2-13 Nylock Nut

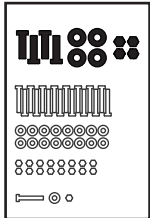


7b. Install main fan unit (direct mount)



The lower safety cables are a crucial part of the fan and must be installed correctly. If you have any questions, contact Customer Service for assistance.

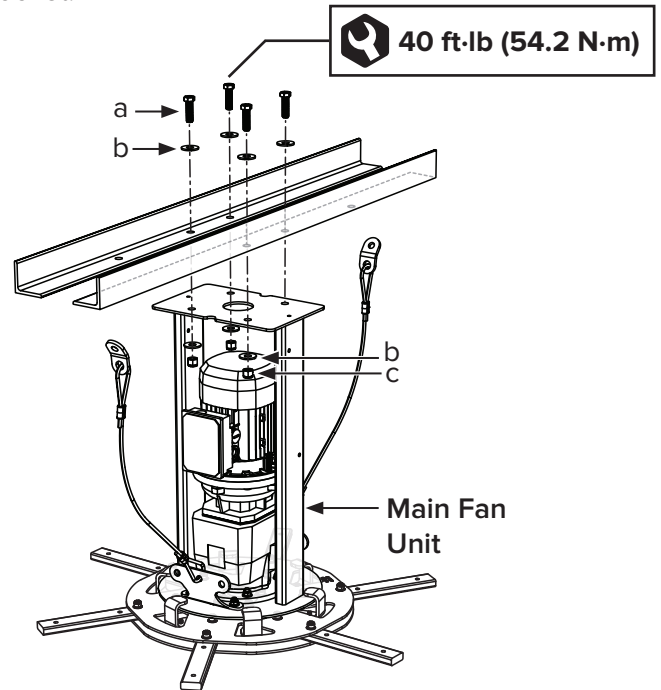
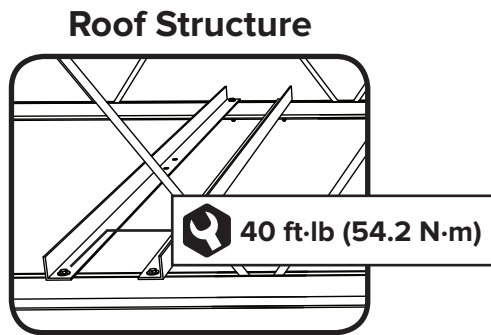
Attach the main fan unit directly to the angle irons with the Motor Unit Hardware. *Do not rest the main fan unit on the ground.* Tighten the bolts to **40 ft-lb (54.2 N·m)** using a torque wrench and 3/4" (19 mm) socket. After securing the main fan unit to the angle irons, tighten all the bolts securing the angle irons to the roof structure to **40 ft-lb (54.2 N·m)** using a torque wrench and 3/4" (19 mm) socket.



Motor Unit & Airfoil Hardware Board

Motor Unit Hardware:

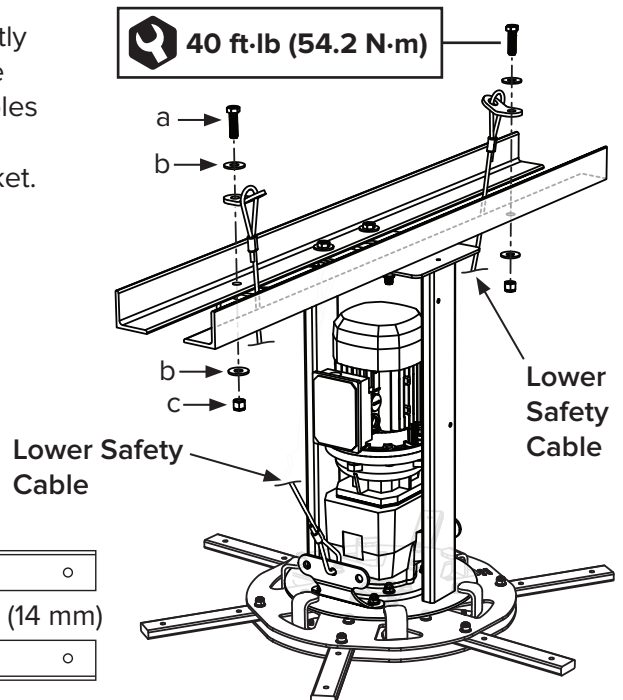
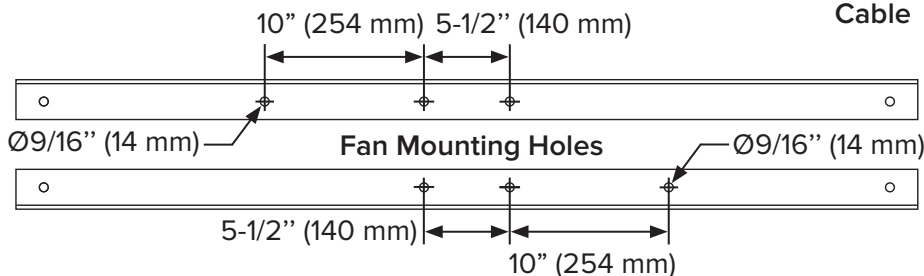
- (4) 1/2-13 x 1-3/4" GR 8 Bolt
- (8) 1/2" Flat Washer
- (4) 1/2-13 Nylock Nut



Drill a $\varnothing 9/16$ " (14 mm) hole in the center of each angle iron exactly 10" (254 mm) from the fan mounting holes as shown. Secure the two lower safety cables (pre-attached to main fan unit) to the holes with installer-supplied Grade 8 hardware. Tighten the bolts to **40 ft-lb (54.2 N·m)** using a torque wrench and 3/4" (19 mm) socket.

Safety Cable Hardware (Installer-Supplied):

- (2) 1/2-13 x 1-1/2" GR 8 Bolt
- (4) 1/2" Flat Washer
- (2) 1/2-13 Nylock Nut



8. Mount VFD to wall

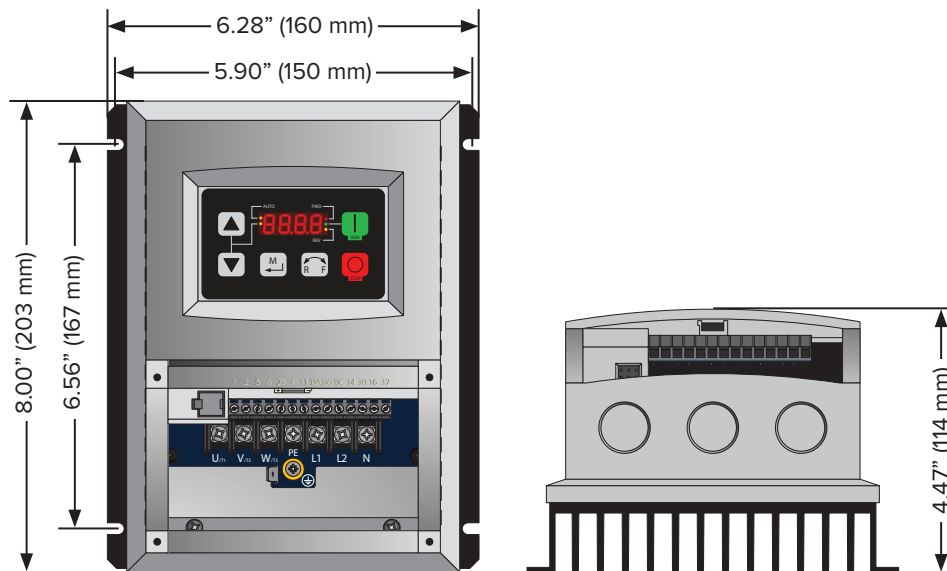
A. Select mounting location

Adhere to the following guidelines when selecting the VFD location:

- ✓ Mount the VFD to a flat, readily accessible surface that is free from vibration and away from foreign objects and moving equipment.
- ✓ Do not mount the VFD adjacent to or above a heat source or heat-producing equipment.
- ✓ The ambient temperature must be between 14–122°F (-10–50°C) with a relative humidity range of 0–95% (non-condensing).
- ✓ Do not expose the VFD to a corrosive atmosphere or direct sunlight.
- ✓ The fan should be visible from the VFD.
- ✓ Maintain a minimum distance of 6" (152 mm) between VFDs.

B. Mount VFD

Mount the VFD to the wall using a #8–#10 screw. Refer to the diagram below for mounting hole dimensions.



9. Wire and test fan

⚠ WARNING: Disconnect power to the installation location before wiring the fan!

The VFD includes a 10-ft (3-m) pre-attached AC supply cord. Make sure power wiring is routed to an outlet at the VFD location. The fan includes a 50-ft (15.2-m) pre-attached motor cord. Wire the motor cord to the VFD according to the appropriate diagram in the *VFD Wiring Diagrams* section. If you need to extend the VFD output/motor input leads, use stranded wire. Apply power and test the fan.

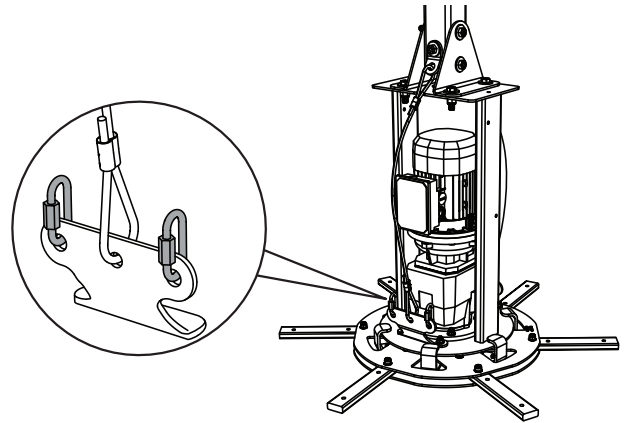
10. Install guy wires

⚠ WARNING: Disconnect power to the fan before installing the guy wires!

📝 Note: Guy wires are included only if the fan's extension tube is 4 ft (1.2 m) or longer or if ordered separately.

A. Attach locking carabiners to main fan unit

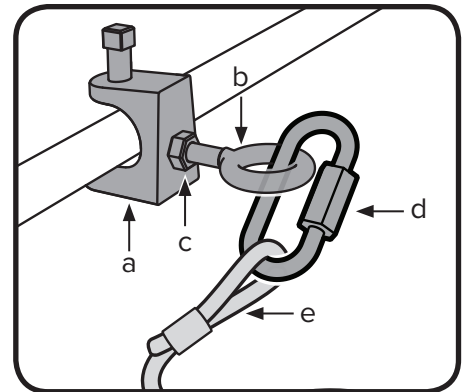
Attach four locking carabiners to the brackets on the main fan unit. Securely tighten the carabiners.



B. Attach beam clamps and guy wires to mounting structure

Secure each beam clamp to the mounting structure at approximately 45° from the horizontal plane. Fully tighten the set screw to secure the clamp. Fasten the small eyebolt and nut onto the clamp. The nut will be on the outside of the clamp.

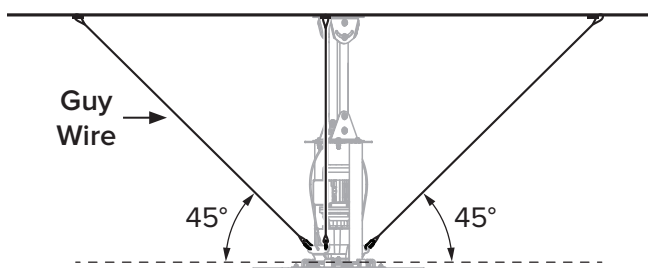
Loop the crimped end of each guy wire into a locking carabiner and secure to each eyebolt. Securely tighten the carabiners. *For best results, the guy wires should be installed at 45° in the X-Y, Y-Z, and X-Z planes. If the angle deviates by more than 15°, contact Customer Service for assistance.*



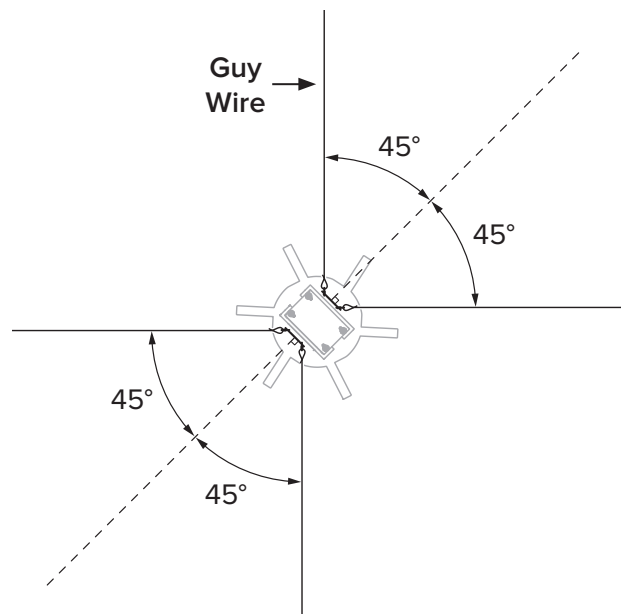
Guy Wire Hardware:

- a. (4) 1/4-20 Beam Clamp
- b. (4) 1/4-20 x 1" Eyebolt
- c. (4) 1/4-20 Hex Nut
- d. (4) Locking Carabiner
- e. (4) Guy Wire

Side View (X-Y)



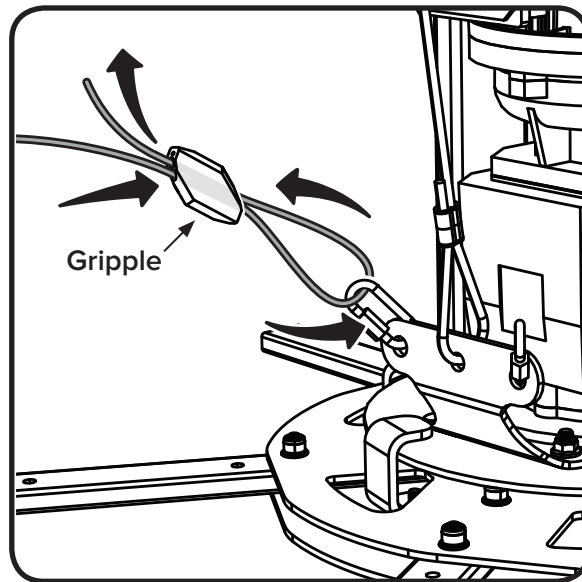
Top View (X-Z)



C. Route guy wires through Gripples

Route each guy wire through a Gripple® and a carabiner on the fan, and then back through the Gripple. *Do not tighten the Gripples until all guy wires have been installed.*

★ To back a guy wire out of a Gripple, insert a 1/16" (2 mm) Allen wrench into the small hole on the Gripple.



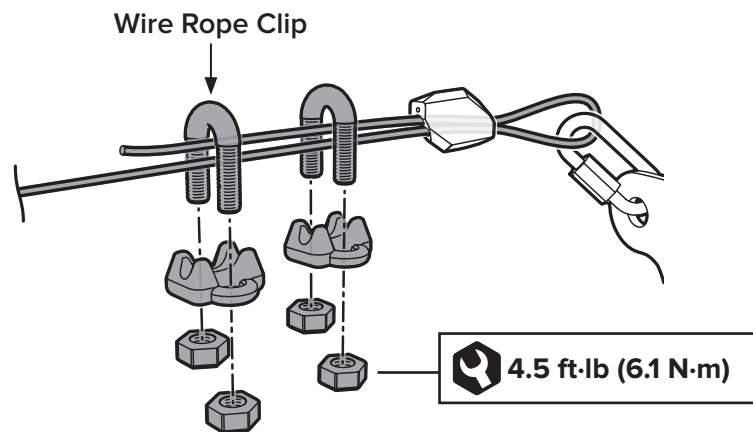
D. Secure guy wires



Over-tightening the guy wires could throw the fan off balance.

Evenly cinch all four guy wires into place using the Gripples. The guy wires should be taut, evenly spaced around the fan, and away from the path of the airfoils. Maintain a distance of 6" to 8" (152 to 203 mm) between the Gripples and the carabiners.

Once all of the guy wires are taut and correctly positioned, secure their loose ends with the wire rope clips and tighten to **4.5 ft·lb (6.1 N·m)**. Ensure all electrical cords/cables are unobstructed by the guy wire system.

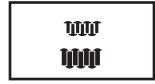


11. Install airfoils

⚠ WARNING: Disconnect power to the fan before installing the airfoils!

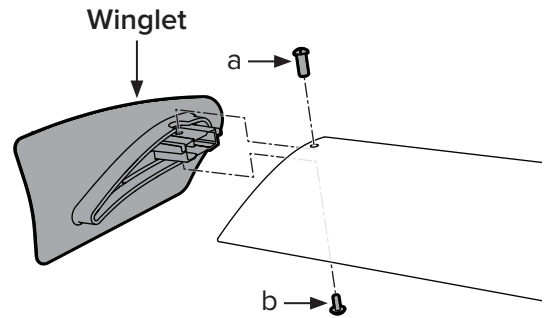
A. Attach winglets to airfoils

Attach a winglet to each airfoil with the Winglet Hardware. Both a Phillips head and flat head screwdriver are required to properly secure the hardware. Secure winglets to all airfoils before attaching the airfoils to the fan.



Winglet Hardware Board

- Winglet Hardware:**
- a. (6) 10-24 x 3/4" Barrel
 - b. (6) 10-24 x 1/2" Bolt

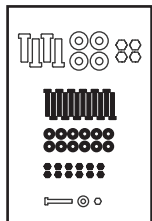


B. Secure airfoils to hub

Moving clockwise around the fan hub:

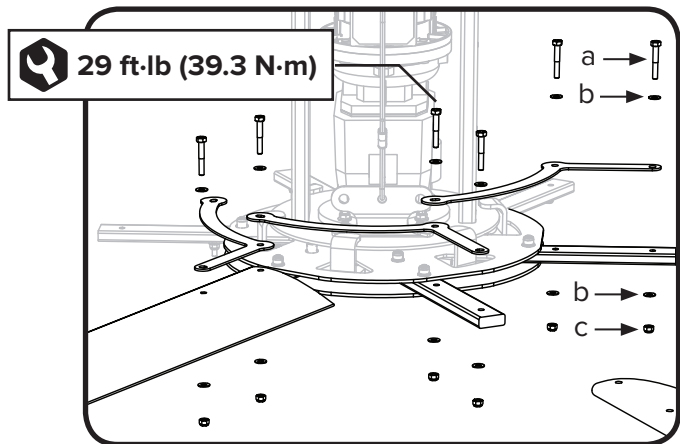
1. Slide airfoils onto tabs of the fan hub with the curved sides facing downward.
2. Position airfoil retainers end-over-end as shown, and loosely secure them with the Airfoil Hardware. Hole A of the retainer should be positioned over top of Hole B. *Do not fully tighten the bolts until all airfoil retainers have been attached.*
3. Repeat for the remaining airfoils.

After all retainers are positioned, fully tighten the bolts along the outer perimeter to **29 ft·lb (39.3 N·m)** using a torque wrench and 1/2" (13 mm) socket. After the outer perimeter bolts are torqued, tighten the bolts along the inner perimeter to **29 ft·lb (39.3 N·m)** using a torque wrench and 1/2" (13 mm) socket.

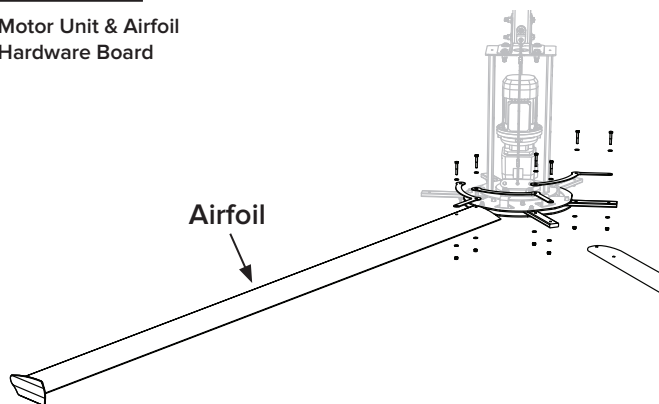
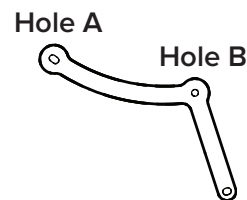


Motor Unit & Airfoil Hardware Board

- Airfoil Hardware:**
- a. (12) 5/16-18 x 2" GR 8 Bolt
 - b. (24) 5/16" Flat Washer
 - c. (12) 5/16-18 Nylock Nut




Airfoil Retainer



More information

An annual maintenance routine is recommended. For maintenance, operation, and troubleshooting information, visit bigassfans.com/support

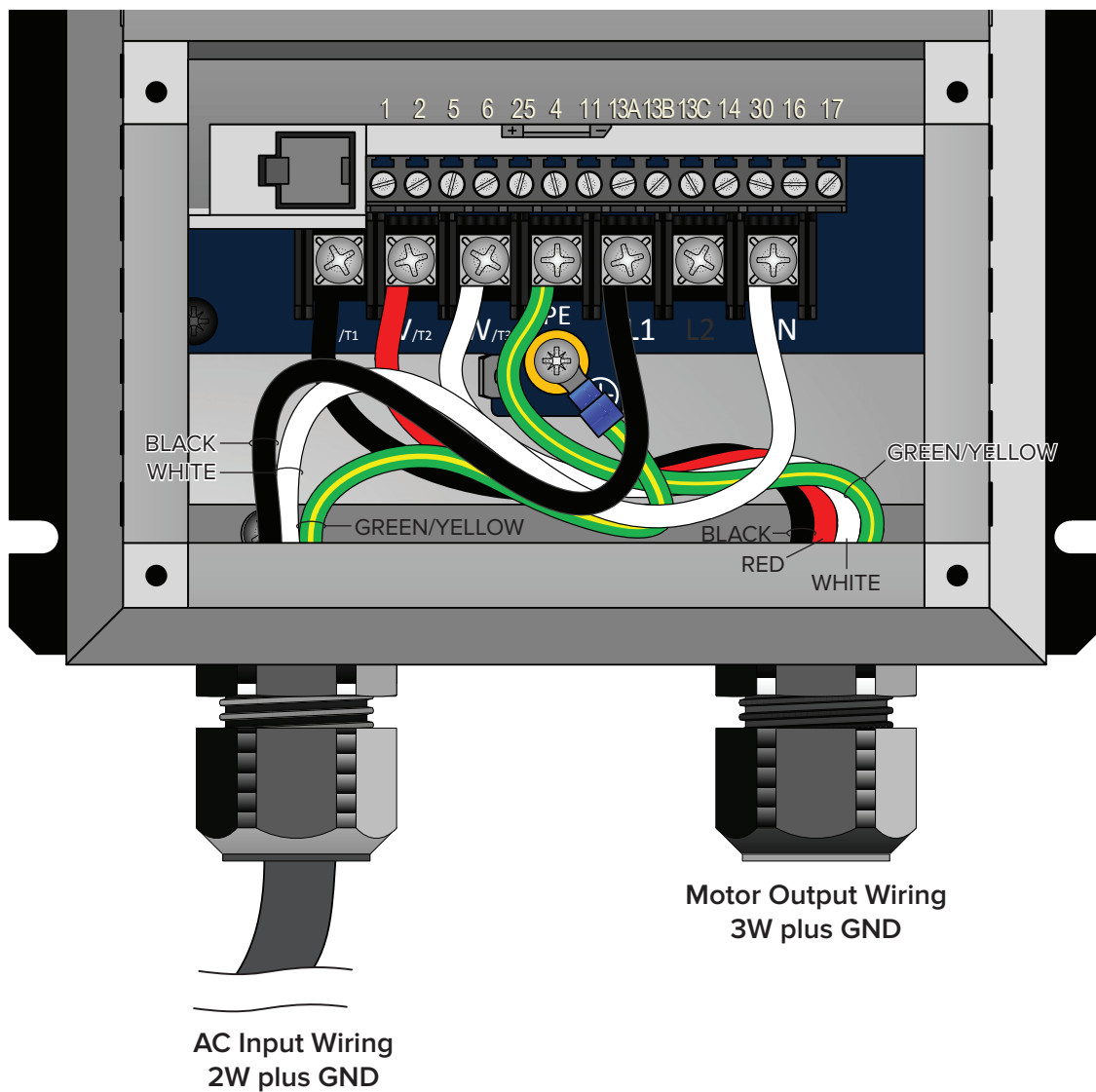
VFD WIRING DIAGRAMS

 *Note: Fire relay not shown in VFD wiring diagrams. See Wiring: Fire Relay for fire relay wiring instructions.*

Wiring: 100–125 V, 1 Φ , 50/60 Hz

 **WARNING:** Wait three minutes after disconnecting before servicing!

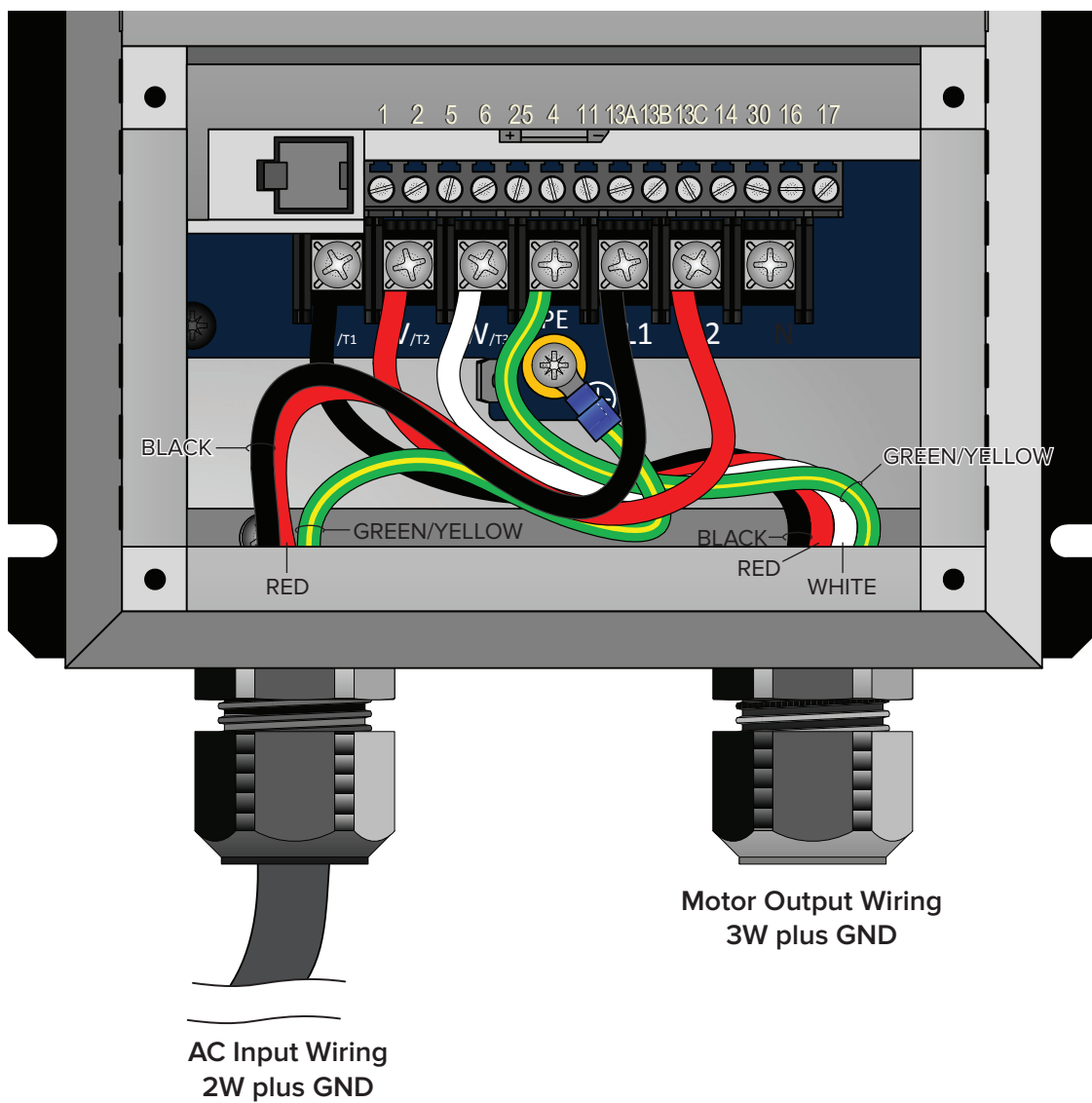
The diagram below shows wiring for a 100–125 V, 1 Φ , 50/60 Hz VFD. The VFD includes a pre-attached 10-ft (3-m) power supply cord. The L2 terminal is not used when wiring the VFD for 100–125 V, 1 Φ . This VFD does not include a disconnect.



Optional wiring: 200–240 V, 1 Φ , 50/60 Hz

⚠ WARNING: Wait three minutes after disconnecting before servicing!

The diagram below shows wiring for a 200–240 V, 1 Φ , 50/60 Hz VFD. The VFD includes a pre-attached 10-ft (3-m) power supply cord. The neutral terminal is not used when wiring the VFD for 200–240 V, 1 Φ . This VFD does not include a disconnect.



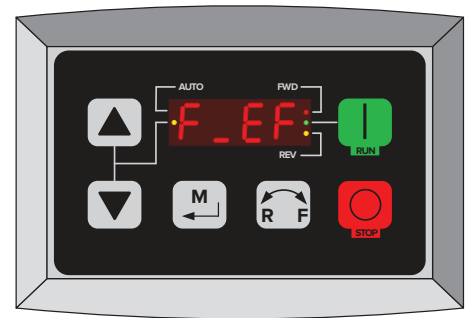
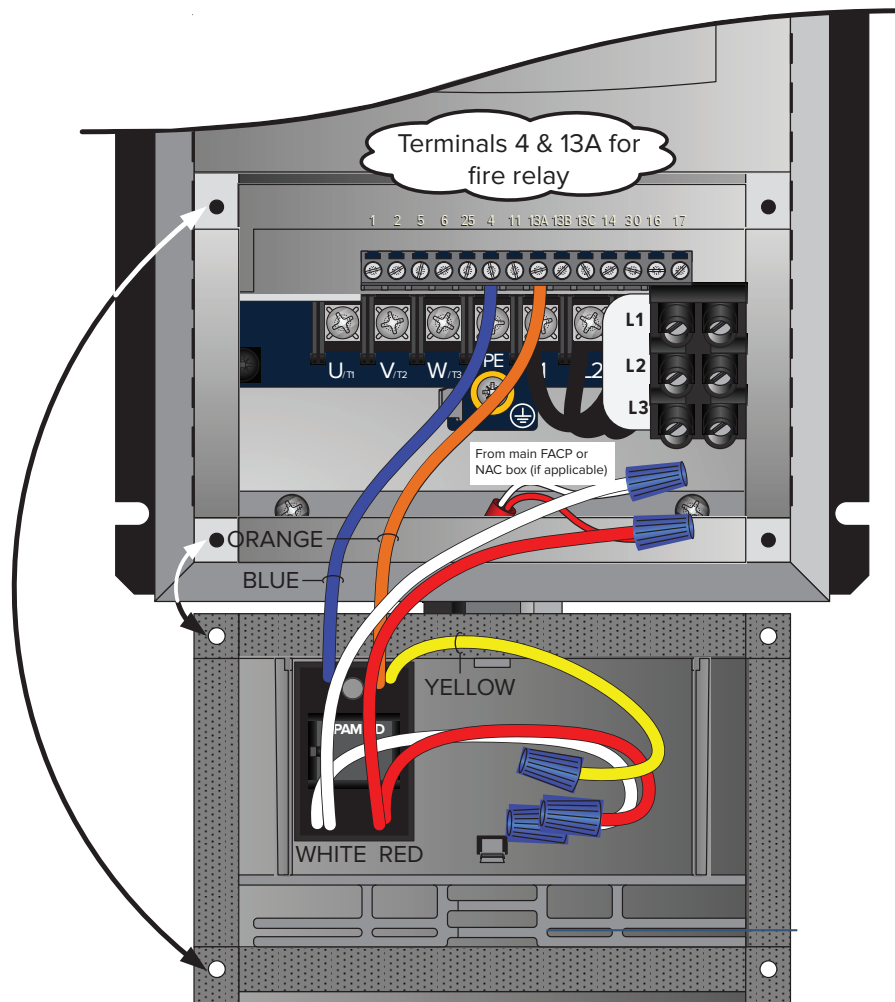
Wiring: Fire relay

⚠ WARNING: Wait three minutes after disconnecting before servicing!

The fire relay included with the fan is needed only if the fan will be installed in a building that has a fire sprinkler system. The fire relay integrates the fan with the sprinkler system and shuts down the fan upon receiving an alarm signal from the system. If the building in which the fan will be installed has a sprinkler system, you must install the relay according to the instructions below.

A contact closure across the digital input terminals 4 and 13A will result in fan shutdown. The included relay uses a Normally Open (N.O.) contact as shown below. The relay coil must be energized by the FACP for fan shutdown. Optionally, the normally closed (N.C.) relay contact can be used. The relay coil must remain energized by the FACP for fan operation. This would be considered a fail safe or fail open wiring arrangement. Two additional relay coil leads are provided to facilitate supervision pass-through where required.

Mount the fire relay to the backside of the VFD wiring cover.



An alarm condition will stop the fan and issue an “F_EF” external fault on the VFD’s display.

Relay Coil/Contact Details			
White (X2)	(-)	C	Blue
		NC	Yellow
Red (X2)	(+)	NO	Orange
Coil: 20–32 VDC @ 20 mA			

CONTACT US

Talk to a Big Ass Fan Expert. Call us at one of the numbers below or visit www.bigassfans.com



Customer Service

United States

2348 Innovation Drive
Lexington, KY 40511
USA
877-244-3267
+1 859-233-1271

Canada

6300 Northwest Dr, Unit 3
Mississauga, ON L4V 1J7
Canada
1-844-924-4277

Mexico

CEBSA (Corporación Eléctrica del
Bravo SA de CV)
Avenida Ind. Rio San Juan
Lote 3-A Parque Industrial del Norte
Reynosa, Tamps C.P. 88736
<http://cebsainc.com/>
+52 1 899 925 6398

Australia/Oceania

35 French Street
Eagle Farm, QLD 4009
Australia
(07) 3292 0100

South and Southeast Asia

18 Tampines Industrial Crescent
#06-07
Singapore 528 605
+65 6709 8500

Europe

OBELIS S.A
Bd. Général Wahis, 53
1030 Brussels, Belgium
+32.2.732.59.54

Malaysia (General Support)

No 4, Jalan Jururancang U1/21A
Hicom Glenmarie Industrial Park
40150 Shah Alam, Selangor
Malaysia
(+603) 5565 0888



Manufacturing and Warranty

You are responsible for providing and paying for shipping when returning a product to Big Ass Fans for the purpose of recycling under the WEEE directive.

Manufacturing

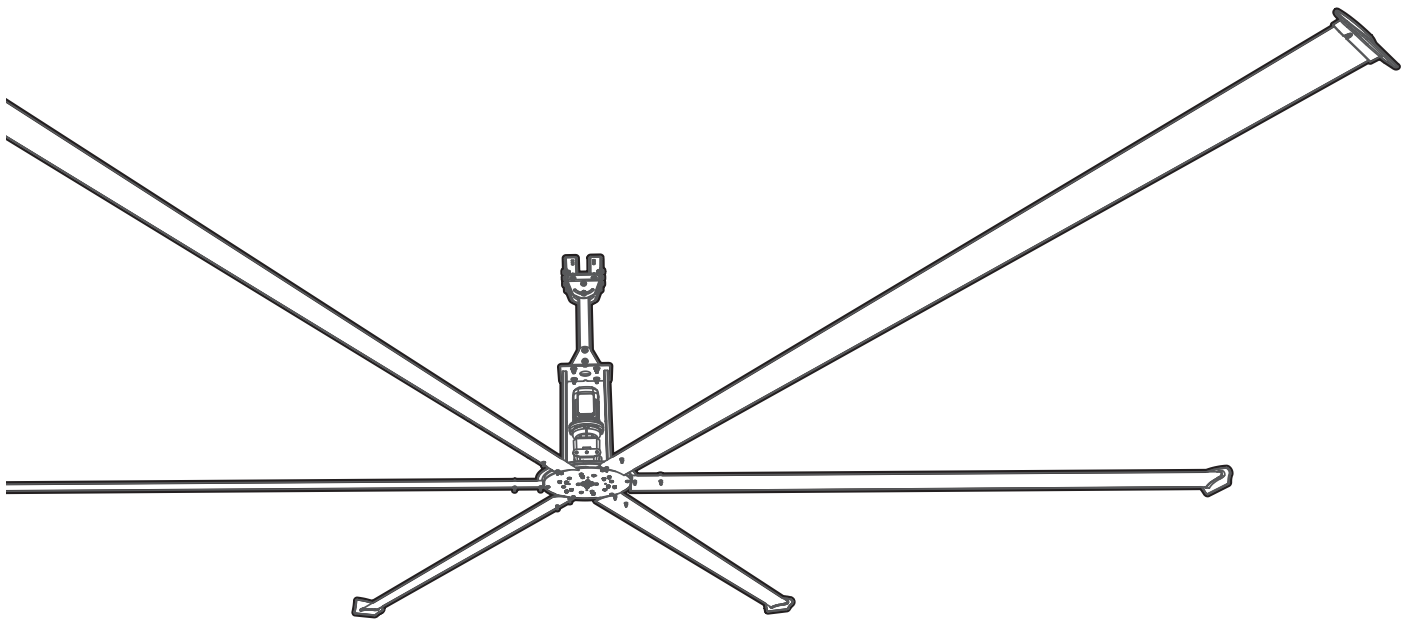
2251 Innovation Drive
Lexington, KY 40511
USA

Warranty and WEEE Returns

2251 Innovation Drive
Lexington, KY 40511
USA

MANUEL D'INSTALLATION

ShopFan



POINTS À VÉRIFIER AVANT L'INSTALLATION

La structure de mon bâtiment peut supporter un ventilateur.

La fixation standard fournie avec le ventilateur permet d'accrocher le ventilateur à des cornières métalliques fixées sur des poutrelles ou à une poutre en I. Le ventilateur ne doit pas être fixé à une seule panne, ferme ou poutrelle. Adressez-vous à un ingénieur en bâtiment pour obtenir des informations sur les techniques de montage non abordées dans ce manuel.

La structure d'ancrage a été approuvée par un ingénieur en bâtiment.

La structure d'ancrage doit pouvoir supporter les efforts de couple exercés par le ventilateur.

Je connais le principe de fonctionnement des élingues de sécurité.

Une fois le ventilateur installé, les pales se trouveront à au moins 3 m (10 pi) du sol.

Une fois le ventilateur installé, les pales se trouveront à une distance minimale de 610 mm (2 pi) de tout obstacle ou élément structurel du bâtiment.

La mesure de la distance séparant le ventilateur d'un obstacle s'effectue entre le bord des winglets et l'obstacle.

Une fois installé, le ventilateur sera à l'abri des forts courants d'air, comme ceux créés par un système de chauffage, ventilation et climatisation (CVC) ou par une grande porte de garage située à proximité.

Si le ventilateur se situe à la hauteur ou au-dessus d'une bouche de CVC, la distance entre la bouche et les winglets doit être égale à au moins 1 fois le diamètre du ventilateur. Si le ventilateur est installé en dessous d'une bouche de CVC, la distance entre la bouche et les winglets doit être égale à au moins 2 fois le diamètre du ventilateur.

La distance séparant deux ventilateurs doit être égale à au moins 2,5 fois leur diamètre (de centre à centre).

Les pales et autres composants du ventilateur sont ceux qui ont été livrés avec le bloc-moteur.

Si vous installez plusieurs ventilateurs, veillez à ne pas intervertir leurs composants.







Le circuit d'alimentation a la tension et le calibre requis et les fils d'alimentation ont été tirés jusqu'au site de montage du variateur de fréquence (VFD) du ventilateur.

Reportez-vous au chapitre *Alimentation électrique* pour connaître les caractéristiques du circuit d'alimentation et obtenir des consignes de câblage.

Si la tige de prolongation de mon ventilateur mesure 1,2 m (4 pi) ou plus, si mon ventilateur est exposé à de puissants courants d'air ou à des courants d'air latéraux, ou s'il se trouve à proximité d'installations fixes, je vais, par mesure de sécurité, l'immobiliser avec les haubans fournis.

La taille du système de fixation supérieur est adaptée à ma structure d'ancrage.

À LIRE ET À CONSERVER EN LIEU SÛR

	SYMBOLE D'AVERTISSEMENT ET DE MISE EN GARDE Signale un danger d'un niveau de risque moyen qui, s'il n'est pas évité, peut causer des dommages matériels ou corporels, voire la mort.
	SYMBOLE DE DANGER ÉLECTRIQUE Signale un danger électrique d'un niveau de risque moyen qui, s'il n'est pas évité, peut causer des blessures graves voire la mort.
	SYMBOLE DE LA MAIN Signale des informations cruciales à lire avant de poursuivre l'installation.
	SYMBOLE « REMARQUE » Signale des informations utiles non cruciales pour l'installation.
	SYMBOLE DE CONSEIL Signale des recommandations destinées à faciliter l'installation.
	SYMBOLE DE COUPLE SPÉCIFIÉ Indique le couple de serrage spécifié à une étape donnée de l'installation.

Bravo, vous avez fait un excellent choix ! Les ventilateurs Big Ass Fans® et les luminaires à DEL Big Ass Light® sont des moyens efficaces, économiques et résolument branchés de faire rimer confort avec économies d'énergie.

À propos de Big Ass Fans

Notre drôle de nom (littéralement « les ventilateurs à gros cul »), nous le devons aux énormes ventilateurs de plafond que nous avons initialement mis au point. Aujourd'hui, Big Ass ne se limite plus à Big Ass Fans. Nous améliorons sans cesse nos ventilateurs, nos luminaires et nos systèmes de commande tout en restant fidèles à nos trois mots d'ordre : qualité, performance et efficacité. Nous mettons un point d'honneur à communiquer directement avec nos clients pour comprendre leurs problèmes et les résoudre. Chez Big Ass, nous ne faisons pas les choses à moitié : nous voyons les choses « en gros » et c'est ce qui nous rend uniques. Notre slogan, No Equal™ (littéralement « sans pareil »), résume bien cet état d'esprit.



Manuel d'installation
Décembre 2018
Rév. A
12/06/2018

Langue du document d'origine : anglais

Produit fabriqué dans une usine disposant d'un système d'assurance qualité certifié ISO 9001.

De mauvaises conditions d'installation, de livraison ou d'entretien, y compris, sans s'y limiter, l'un quelconque des actes suivants, commis par le client ou l'un de ses représentants, constituent une violation des garanties et entraînent leur nullité :

- non-respect des procédures d'installation décrites dans le présent manuel ou tout autre document fourni avec le ventilateur et le matériel associé, y compris les documents fournis par les fabricants des différents composants mécaniques et électroniques du ventilateur ;
- non-respect de la réglementation et de la législation en vigueur, notamment le *National Electric Code* (NEC, code américain de l'électricité) et les codes applicables aux niveaux local et national en matière de construction et de sécurité électrique ;
- non-respect des normes électrotechniques liées à la technique certifiée d'installation des équipements électriques à semi-conducteurs ayant les mêmes caractéristiques que les ventilateurs, leurs systèmes de commande et leurs composants, même en l'absence de référence expresse à ces normes dans les manuels et autres documents fournis par Big Ass Fans ou par les fabricants.

Toutes les marques citées dans le présent document appartiennent à leurs propriétaires respectifs. Le présent document ne peut être reproduit ou traduit, en totalité ou en partie, sans l'autorisation écrite préalable de Big Ass Fans. Les informations contenues dans le présent document sont susceptibles d'être modifiées sans préavis. Pour consulter la version à jour du présent manuel d'installation, rendez-vous sur www.bigassfans.com.

www.bigassfans.com/patents • www.bigassfans.com/product-warranties



Conforme à la norme UL 507 (ventilateurs électriques)
Certifié conforme à la norme CSA C22.2 n° 113
(ventilateurs et soufflantes)

CONSIGNES DE SÉCURITÉ IMPORTANTES

AVERTISSEMENT : VEUILLEZ RESPECTER LES CONSIGNES SUIVANTES POUR LIMITER LES RISQUES D'INCENDIE, DE CHOC ÉLECTRIQUE OU DE DOMMAGES CORPORELS

AVERTISSEMENT : Avant d'installer le ventilateur et le dispositif de commande, coupez le courant au niveau de leurs sites de montage respectifs !

AVERTISSEMENT : L'installation et le câblage du ventilateur doivent être effectués par un ou plusieurs intervenants qualifiés, conformément aux codes et normes applicables, notamment pour les constructions résistantes au feu. Un mauvais montage peut entraîner un choc électrique ou endommager le moteur et le dispositif de commande.

AVERTISSEMENT : L'installation doit être effectuée conformément au *National Electrical Code (NEC)*, à la norme *ANSI/NFPA 70* et à tout autre code applicable aux niveaux local et national.

AVERTISSEMENT : Avant de procéder à l'installation du ventilateur, assurez-vous que la structure à laquelle il doit être fixé est solide, en parfait état et capable de supporter la charge du ventilateur ainsi que son mode d'ancrage. La conformité de la structure d'ancrage doit être préalablement vérifiée par un ingénieur en bâtiment. Il incombe au client et/ou à l'utilisateur final de vérifier la stabilité de la structure d'ancrage. Big Ass Fans décline toute responsabilité quant à cette vérification ou à l'utilisation de matériel ou d'accessoires autres que ceux fournis par Big Ass Fans ou préconisés dans le présent manuel.

AVERTISSEMENT : Les pièces utilisées pour installer le ventilateur doivent être compatibles avec le modèle concerné (mention stipulée sur la boîte). Aucune pièce ne peut être remplacée par une pièce similaire.

AVERTISSEMENT : Pour limiter les risques d'incendie, de choc électrique et de blessures, tous les ventilateurs Big Ass Fans doivent être équipés d'un système de commande fourni par Big Ass Fans. Aucun autre dispositif de commande ne peut être utilisé.

ATTENTION : Les VFD sans fusibles doivent être alimentés via leur propre disjoncteur, un sectionneur à fusibles correctement calibré ou tout autre moyen de protection approprié (protection du circuit de branchement, protection contre les courts-circuits ou protection différentielle). Consultez les normes de sécurité électrique applicables aux niveaux local et national.

IMPORTANT : Si le ventilateur est installé aux États-Unis, l'installation doit être réalisée conformément aux recommandations suivantes de la *National Fire Protection Association (NFPA)* :

- le ventilateur doit être approximativement centré entre quatre extincteurs automatiques à eau (sprinklers) adjacents ;
- la distance verticale entre le ventilateur et le déflecteur du sprinkler doit être d'au minimum 914 mm (3 pi) ;
- le ventilateur doit être équipé d'une chaîne de sécurité pour se mettre hors tension lorsque le système d'alarme lui envoie un signal de débit d'eau.

AVERTISSEMENT : Assurez-vous que personne ne se trouve sous le ventilateur pendant l'installation.

AVERTISSEMENT : Si vous devez découper ou percer un mur ou un plafond, veillez à ne pas endommager les fils électriques et autres circuits encastrés.

ATTENTION : Le corps du ventilateur est lourd. Faites attention en le soulevant. Prévoyez un moyen de levage adapté au poids du ventilateur (comme une table élévatrice à ciseaux) et au moins deux installateurs.

AVERTISSEMENT : Le VFD du ventilateur contient des condensateurs haute tension dont la décharge exige un certain délai d'attente après la coupure de l'alimentation secteur. Avant d'intervenir sur le VFD, assurez-vous que l'alimentation est coupée au niveau du sectionneur du VFD ou du dispositif de commande. Attendez trois minutes pour que les condensateurs se déchargent et atteignent des niveaux de tension non dangereux. Le non-respect de cette consigne peut entraîner des dommages corporels, voire la mort. L'extinction des DEL de l'afficheur ne signifie pas que les niveaux de tension sont sans danger pour l'opérateur.

ATTENTION : L'installation de ce ventilateur nécessite l'emploi d'outils électriques. Respectez les consignes de sécurité stipulées dans leurs modes d'emploi respectifs et n'utilisez pas ces outils pour un autre usage que celui prévu par le fabricant.

ATTENTION : Veillez à ne pas cintrer les pales lors de l'installation, de l'entretien ou du nettoyage du ventilateur. N'introduisez aucun objet entre les pales en rotation.

ATTENTION : L'installation du système de suspension et le remplacement des pièces de ce système doivent être effectués par le fabricant, son technicien de maintenance ou tout autre intervenant dûment qualifié.

AVERTISSEMENT : N'utilisez pas cet appareil pour un autre usage que celui prévu par le fabricant. Contactez le fabricant si vous avez la moindre question.

AVERTISSEMENT : Si vous observez un mouvement d'oscillation anormal, cessez immédiatement d'utiliser le ventilateur de plafond et contactez le fabricant, son technicien de maintenance ou tout autre intervenant dûment qualifié.

ATTENTION : N'allumez jamais un ventilateur dont un câble ou une fiche est endommagé. Débarrassez-vous du ventilateur ou envoyez-le à un centre de maintenance agréé pour le faire contrôler et/ou réparer.

AVERTISSEMENT : Cet appareil ne convient pas aux personnes (adultes et enfants) présentant un handicap physique, sensoriel ou mental, ou ne possédant pas l'expérience et les connaissances requises, à moins qu'elles l'utilisent sous la surveillance d'une personne responsable de leur sécurité. Les enfants doivent être placés sous la surveillance d'un adulte ; ils ne doivent pas jouer avec l'appareil.

AVERTISSEMENT : Il existe un risque d'incendie, de choc électrique ou de dommages corporels pendant les interventions de nettoyage et d'entretien réalisées par l'utilisateur. Coupez l'alimentation de l'appareil avant toute intervention.

AVERTISSEMENT : Avant toute intervention d'entretien ou de nettoyage, coupez le courant au niveau du tableau de distribution et condamnez le sectionneur de maintenance afin d'empêcher toute remise sous tension accidentelle. Si le sectionneur de maintenance ne peut être condamné, fixez un moyen d'avertissement (comme une étiquette) solidement et bien en vue sur le tableau de distribution.

AVERTISSEMENT : Lorsque l'entretien ou le remplacement d'un composant du ventilateur nécessite la dépose ou la désactivation d'un dispositif de sécurité, ce dispositif doit être reposé ou réactivé dans l'état où il se trouvait avant l'intervention.

ATTENTION : La garantie Big Ass Fans ne couvre pas les défaillances ou dégâts matériels dus à une mauvaise installation ou utilisation du ventilateur.

ATTENTION : Les informations fournies ci-après sont de simples recommandations d'installation. Big Ass Fans décline toute responsabilité quant au non-respect de la réglementation applicable au niveau local, national ou autre pour l'installation de ses dispositifs de commande, de ses ventilateurs ou du matériel associé.

Cet appareil est exclusivement destiné à un usage industriel.

CHOIX DU SITE DE MONTAGE

Avant l'installation, assurez-vous que la structure du bâtiment et le site de montage choisi respectent les conditions suivantes.

Consignes de fixation

- ✓ La fixation standard fournie avec le ventilateur permet d'accrocher le ventilateur à des cornières métalliques fixées sur des poutrelles ou à une poutre en I. Le ventilateur ne doit pas être fixé à une seule panne, ferme ou poutrelle. Adressez-vous à un ingénieur en bâtiment pour obtenir des informations sur les techniques de montage non abordées dans ce manuel.
- ✓ Big Ass Fans déconseille de fixer le ventilateur à une poutre en I soudée. Un ventilateur fixé à une poutre en I soudée, structure fréquente dans les constructions métalliques, peut faire fléchir la poutre et bouger fortement en fonctionnement.
- ✓ Le ventilateur doit être accroché à la structure d'ancrage de façon à être d'aplomb et de niveau.
- ✓ Des haubans doivent être mis en place pour restreindre les mouvements latéraux du ventilateur dans les situations suivantes : si la longueur de la tige de prolongation est supérieure ou égale à 1,2 m (4 pi) ; si la structure d'ancrage l'exige ; si le ventilateur est exposé à de puissants courants d'air ou à des courants d'air latéraux ; ou si le ventilateur se trouve à proximité d'installations fixes.

Dégagements à prévoir

Si vous ne pouvez pas respecter les conditions suivantes, contactez le service à la clientèle pour discuter des autres techniques de montage ou des autres solutions de ventilation possibles.

Dégagements généraux

- ✓ Le ventilateur doit se trouver à au moins 3 m (10 pi) du sol fini.
- ✓ La distance séparant deux ventilateurs doit être égale à au moins 2,5 fois leur diamètre (de centre à centre).
- ✓ Tous les composants du ventilateur doivent se trouver à plus de 610 mm (2 pi) de tout obstacle. Le site de montage choisi doit être dégagé de tout obstacle (luminaires, câbles, sprinklers, éléments structurels, etc.).
- ✓ Si le ventilateur se situe à la hauteur ou au-dessus d'une bouche de CVC, la distance entre la bouche et les winglets doit être égale à au moins 1 fois le diamètre du ventilateur. Si le ventilateur est installé en dessous d'une bouche de CVC, la distance entre la bouche et les winglets doit être égale à au moins 2 fois le diamètre du ventilateur.
- ✓ Respectez les distances minimales recommandées par les fabricants de matériaux combustibles.

Distance ventilateur-plafond

La distance à prévoir entre le ventilateur et le plafond varie selon la taille du ventilateur. Elle est précisée dans les tableaux ci-dessous. Cette distance se mesure entre le haut des winglets et le plafond.

Diamètre du ventilateur	Distance ventilateur-plafond
4,3 m (14 pi)	1,5 m (5 pi)

ALIMENTATION ÉLECTRIQUE

Avant de commencer à installer le ventilateur, tirez les fils d'alimentation jusqu'au site de montage du VFD. Consultez les tableaux ci-dessous pour connaître les caractéristiques électriques minimales à respecter en fonction de la taille de votre ventilateur.

Diamètre	Caractéristiques minimales ¹
4,3 m (14 pi)	20 A sous 100–125 V, 1 Φ

1. Tous les VFD délivrent un courant de sortie triphasé (3 Φ) indépendamment de la phase d'entrée.

Consignes de câblage

- ✓ **Protection dédiée du circuit de branchement** : chaque ventilateur doit disposer de son propre dispositif de protection du circuit de branchement.
- ✓ **Conduits** : les fils de sortie du VFD/fils d'entrée du moteur ne doivent pas passer par le même conduit que les fils d'alimentation en courant alternatif (CA) d'un autre dispositif de commande.
- ✓ **Sectionneur local** : un sectionneur local doit être installé si la réglementation locale ou nationale l'exige.
- ✓ **Sectionneur manuel** : pour respecter certaines exigences réglementaires, il peut être nécessaire d'installer un sectionneur manuel au niveau du moteur du ventilateur lorsque le ventilateur n'est pas visible depuis le dispositif de commande.
- ✓ **Prolongation des fils** : si vous avez besoin de rallonger les fils de sortie du VFD/fils d'entrée du moteur, utilisez un câble toronné.

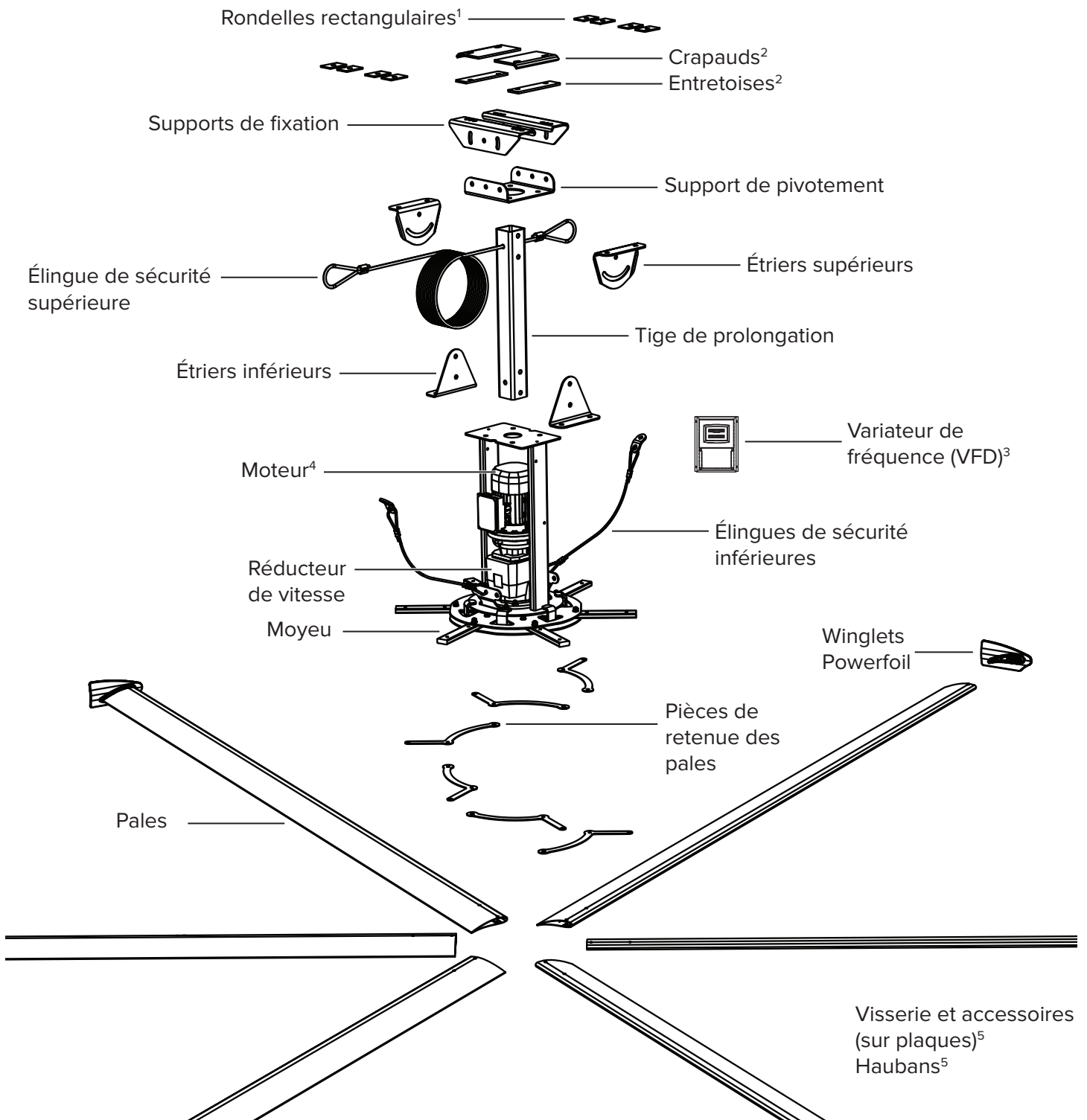
OUTILLAGE ET MATÉRIEL

Prévoyez un moyen de levage adapté au poids du ventilateur (comme une table élévatrice à ciseaux), au moins deux personnes et les outils suivants. D'autres outils peuvent également être nécessaires selon votre configuration.

- Jeu de clés en système impérial
- Jeu de clés à douille et à cliquet en système impérial
- Clé dynamométrique de 54,2 N·m (40 pi·lb) munie de douilles de 19 mm (3/4 po) et 13 mm (1/2 po)
- Tournevis plat et cruciforme
- Jeu de clés Allen en système impérial
- Tourne-écrou de 6 mm (1/4 po)
- Tourne-écrou de 8 mm (5/16 po)
- Pincettes à dénuder pour fils de 10 à 14 AWG
- Pince multiprise moyenne
- Multimètre
- Niveau

SCHÉMA DU VENTILATEUR

Veillez contacter le service à la clientèle s'il vous manque un ou plusieurs composants, pièces ou accessoires. Si vous avez commandé plusieurs ventilateurs, séparez bien les composants de chaque ventilateur. En effet, ceux-ci sont calibrés pour un ventilateur donné : ils ne sont pas interchangeables.

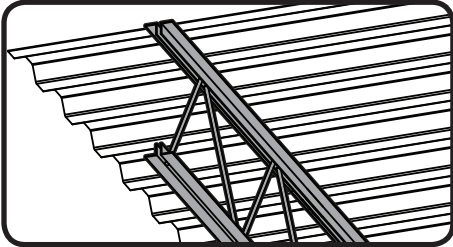


1. À n'utiliser qu'en cas de fixation à des poutrelles. Le nombre à utiliser varie en fonction du nombre de cornières métalliques.
2. À n'utiliser qu'en cas de fixation à une poutre en I. L'utilisation des entretoises est réservée aux poutres en I dont l'aile mesure plus de 10 mm (3/8 po) d'épaisseur.
3. Livré avec un câble d'alimentation CA de 3 m (10 pi) pré-attaché, un module de programmation électronique (MPE) pré-installé et un relais incendie.
4. Le ventilateur est livré avec un câble moteur de 15,2 m (50 pi) pré-attaché qui doit être raccordé au VFD.
5. Non représenté. Les haubans ne sont fournis que lorsque les mouvements latéraux du ventilateur doivent être restreints.

TECHNIQUES DE MONTAGE

Adressez-vous à un ingénieur en bâtiment pour connaître la technique de montage adaptée à la structure de votre bâtiment. Les élingues de sécurité sont obligatoires quelle que soit la technique de montage utilisée.

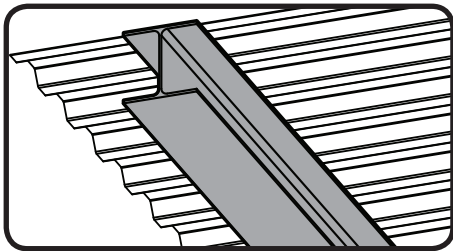
Poutrelles



Reportez-vous au chapitre *Préparation de la structure d'ancrage : poutrelles* pour de plus amples informations.

- L'installateur doit fournir des cornières métalliques et des boulons de qualité 8 de 1/2-13 adaptés.
- Le ventilateur ne doit pas être fixé à une seule panne, ferme ou poutrelle.
- La portée des cornières métalliques ne doit pas excéder 3,7 m (12 pi).
- Les cornières métalliques doivent être fixées à la charpente à chacune de leurs extrémités.
- N'utilisez jamais de crapauds sur des cornières métalliques.

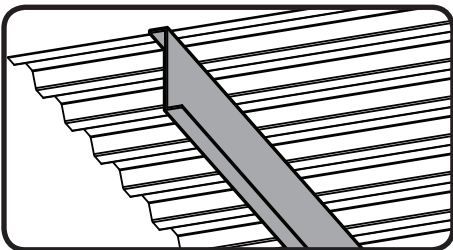
Poutre en I



Reportez-vous au chapitre *Préparation de la structure d'ancrage : poutre en I* pour de plus amples informations.

- Big Ass Fans vous déconseille de fixer le ventilateur à une poutre en I soudée.
- Ne fixez pas le ventilateur directement à une poutre en I sans le système de fixation supérieur, la tige de prolongation et les étriers inférieurs.
- La poutre en I doit faire partie intégrante de la charpente existante.
- Ajoutez des entretoises si l'aile mesure plus de 10 mm (3/8 po) d'épaisseur.
- Pour les poutres en I ou les toitures inclinées, la largeur de l'aile doit mesurer 127 mm à 251 mm (5 po à 9-7/8 po).

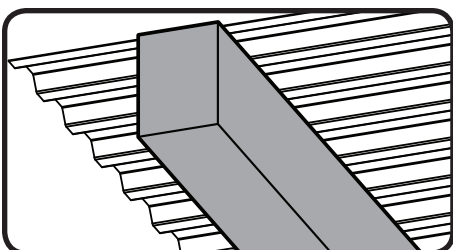
Pannes en Z



Reportez-vous aux instructions fournies avec le kit pour pannes en Z.

- Longueur de panne : $\leq 9,1$ m (30 pi)
- Écartement des pannes : $\leq 1,5$ m (5 pi)
- Les pannes doivent être en acier de calibre 14 minimum.
- La longueur des cornières métalliques doit être $\leq 1,5$ m (5 pi) et inférieure de 25 mm (1 po) à la distance séparant les pannes.
- Dimensions des cornières métalliques (L x H x E) = 76 x 76 x 6 mm (3 x 3 x 1/4 po)

Poutre massive



Reportez-vous aux instructions fournies avec le kit pour équerres.

- Épaisseur de poutre de 365 mm (14-3/8 po) maximum pour le petit système de fixation supérieur ou de 213 mm à 486 mm (8-3/8 po à 19-1/8 po) pour le grand système de fixation supérieur.
- L'installateur doit fournir des boulons de qualité 8 de 1/2-13 adaptés.

PRÉPARATION DE LA STRUCTURE D'ANCRAGE : POUTRELLES

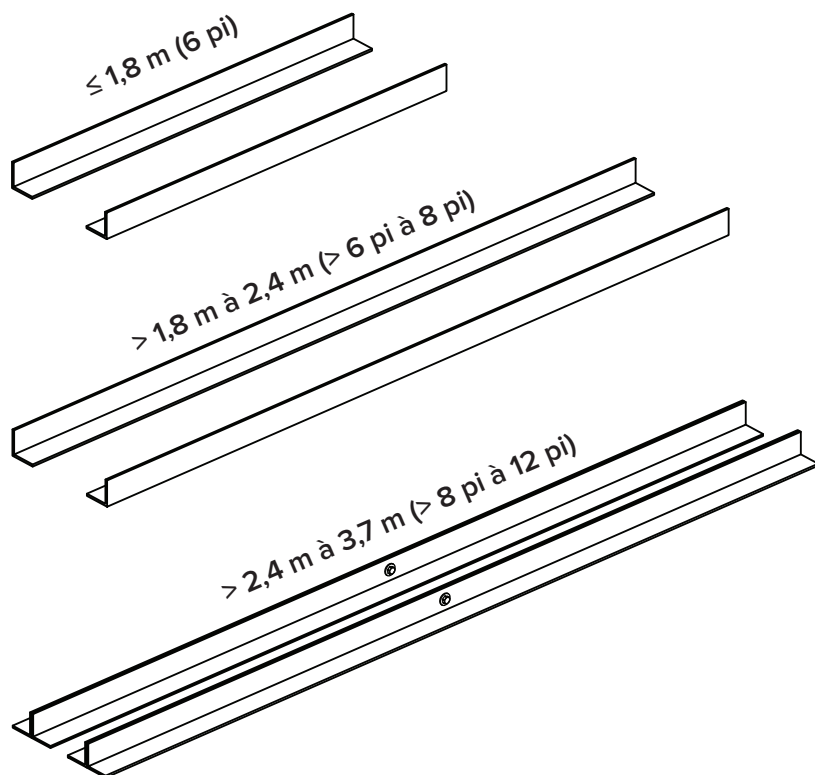
Consignes de fixation

- ✓ Le ventilateur doit être accroché à des cornières métalliques fixées sur des poutrelles.
- ✓ L'installateur doit fournir les cornières métalliques et la visserie correspondante.
- ✓ Le ventilateur ne doit pas être fixé à une seule panne, ferme ou poutrelle.
- ✓ La portée des cornières métalliques ne doit pas excéder 3,7 m (12 pi).
- ✓ Les cornières métalliques doivent être fixées à la charpente à chacune de leurs extrémités.

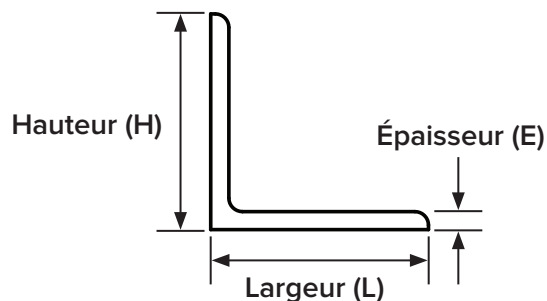
1. Choix des cornières métalliques adaptées

Portée (entre les points d'ancrage)	Dimensions minimales (L × H × E)	Nombre de cornières à prévoir
≤ 1,8 m (6 pi)	64 × 64 × 6 mm (2,5 × 2,5 × 0,25 po)	2
> 1,8 m à 2,4 m (> 6 pi à 8 pi)	76 × 76 × 6 mm (3 × 3 × 0,25 po)	2
> 2,4 m à 3,7 m (> 8 pi à 12 pi)	76 × 76 × 6 mm (3 × 3 × 0,25 po)	4 ¹

1. Prévoir deux paires de cornières métalliques



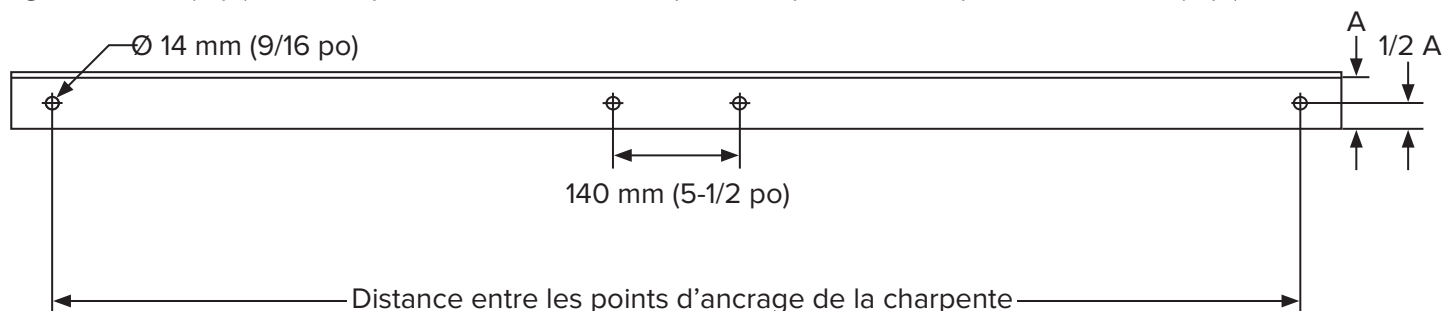
Vue latérale d'une cornière métallique (dimensions : voir tableau)



2. Perçage des cornières métalliques

Percez deux trous de 14 mm (9/16 po) de diamètre à exactement 140 mm (5-1/2 po) d'écart au centre de deux cornières métalliques.

Mesurez la distance séparant les points d'ancrage de la charpente : elle correspond à la portée des cornières métalliques. Mesurez la même distance sur les cornières métalliques et percez un trou de 14 mm (9/16 po) de diamètre à chaque extrémité des cornières. Percez deux cornières métalliques si la portée est inférieure ou égale à 2,4 m (8 pi). Percez quatre cornières métalliques si la portée est supérieure à 2,4 m (8 pi).



3. Assemblage des cornières métalliques – portée > 2,4 m (8 pi)

Si la portée des cornières métalliques est inférieure ou égale à 2,4 m (8 pi), passez directement à l'étape 4.

Si la portée des cornières métalliques est supérieure à 2,4 m (8 pi), doublez les cornières métalliques. Repérez le centre de chaque cornière métallique. Percez un trou de 14 mm (9/16 po) de diamètre au centre de l'âme verticale de chaque cornière. Percez un total de quatre cornières métalliques.

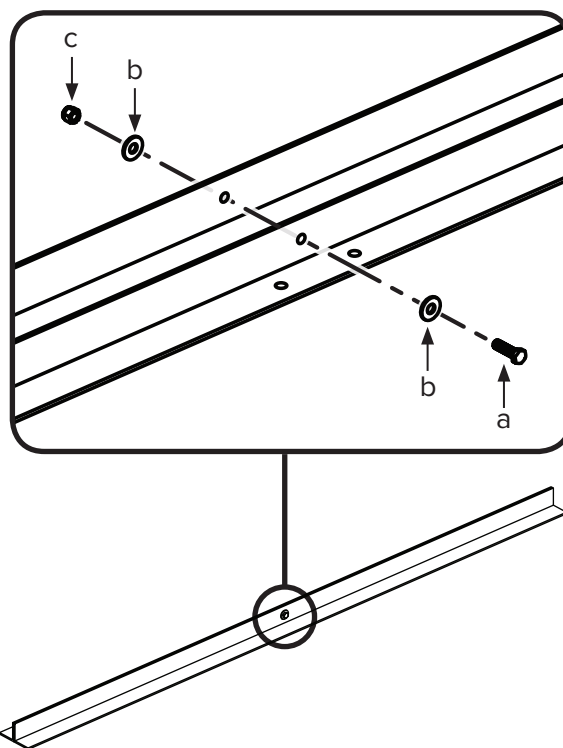
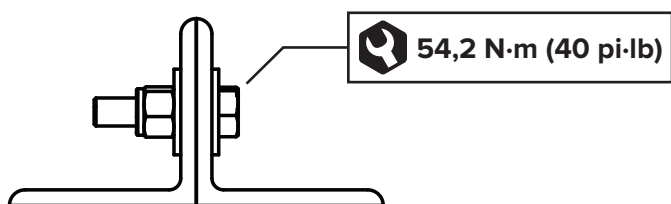
Mettez deux cornières percées dos à dos et fixez-les ensemble avec des boulons de qualité 8. Alignez les cornières métalliques et serrez les boulons à **54,2 N·m (40 pi·lb)** à l'aide d'une clé dynamométrique munie d'une douille de 19 mm (3/4 po).

Procédez de même pour les deux cornières métalliques restantes.

Visserie de qualité 8 pour cornières métalliques (fournie par l'installateur) :

- Vis de qualité 8 1/2-13 (2)
- Rondelles de qualité 8 1/2 po (4)
- Écrous à bague nylon de qualité 8 1/2-13 (2)

Vue latérale

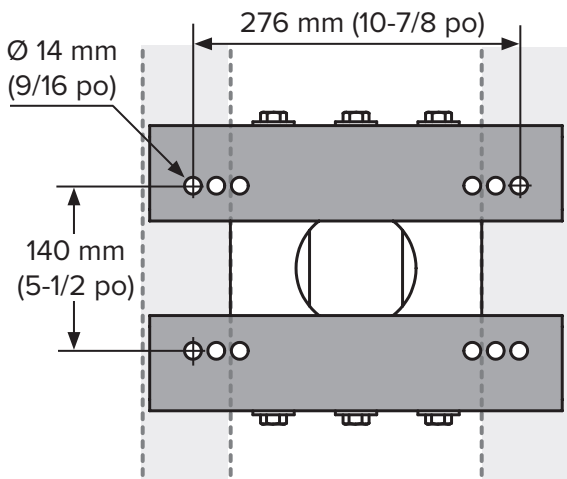


4. Repérage des points d'ancrage sur la charpente

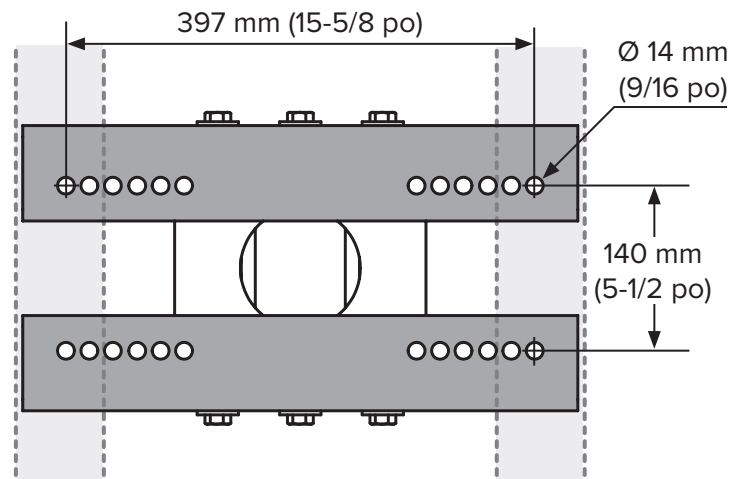


Les cornières métalliques doivent être alignées sur les trous externes du système de fixation supérieur.

Repérez les points d'ancrage des cornières métalliques sur la charpente. Consultez le schéma correspondant à votre configuration, ci-dessous, pour connaître les distances à prévoir entre les cornières métalliques. Les cornières métalliques apparaissent en pointillés.

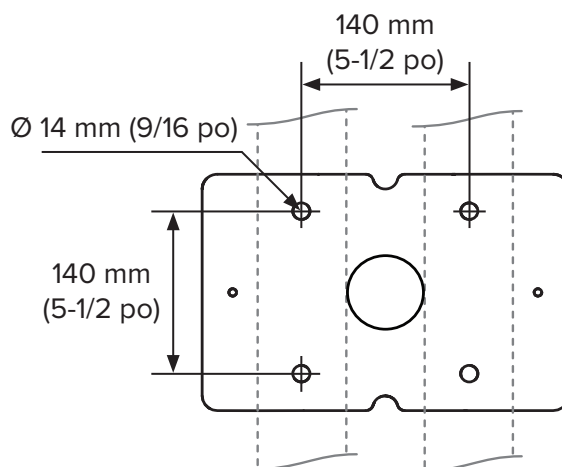


**Petit système de fixation supérieur
(de série)**
349 × 241 mm (13-3/4 × 9-1/2 po)



**Grand système de fixation supérieur
(en option)**
470 × 241 mm (18-1/2 × 9-1/2 po)

Fixation directe



Haut du corps du ventilateur

5. Fixation des cornières métalliques aux points d'ancrage de la charpente de la charpente

Fixez les cornières métalliques aux points d'ancrage de la charpente, à chacune de leurs extrémités, avec des boulons de qualité 8 sans serrer à fond.

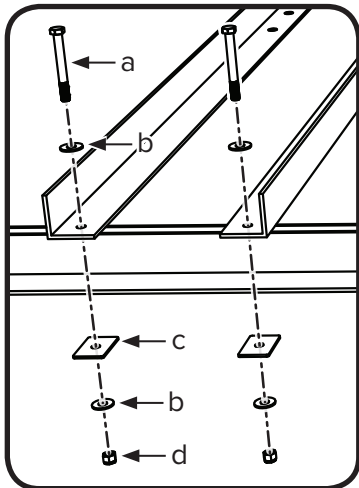
Cornières métalliques simples : positionnez les cornières métalliques de sorte que leurs ailes horizontales soient face à face (les ailes verticales sont tournées vers l'extérieur).

Cornières métalliques doubles : positionnez les cornières métalliques avec les trous de fixation du ventilateur à l'intérieur, face à face.

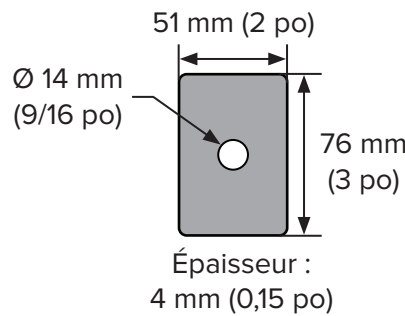
Visserie de qualité 8 pour cornières métalliques (fournie par l'installateur) :

- a. Vis de qualité 8 1/2-13 (4 ou 8)
- b. Rondelles de qualité 8 1/2 po (8 ou 16)
- c. Rondelles rectangulaires 51 × 76 mm (2 × 3 po) (4 ou 8) – fournies, voir schéma
- d. Écrous à bague nylon de qualité 8 1/2-13 (4 ou 8)

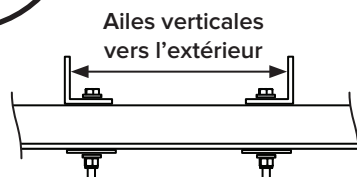
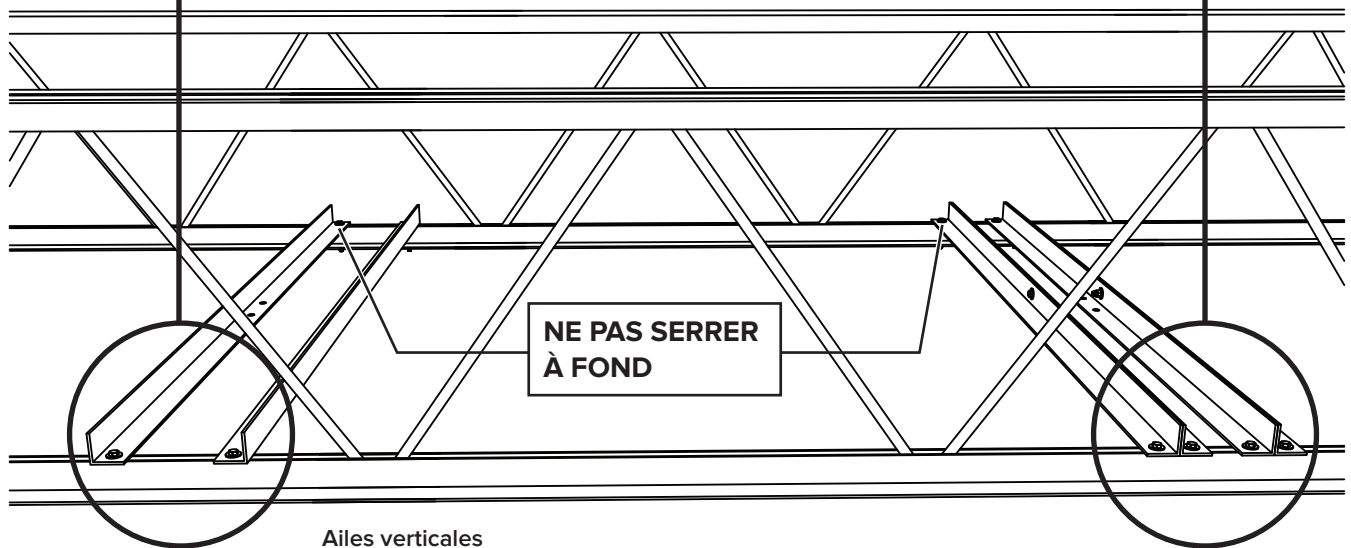
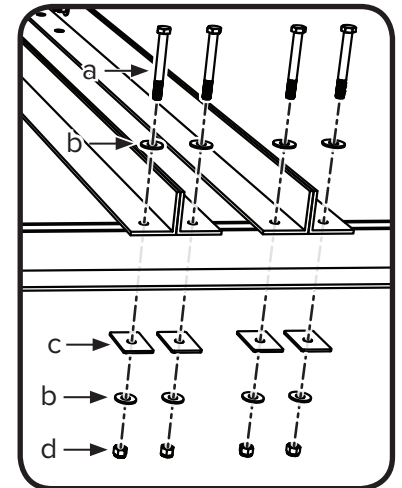
Cornières métalliques simples



Rondelle rectangulaire



Cornières métalliques doubles



PRÉPARATION DE LA STRUCTURE D'ANCRAGE : POUTRE EN I

Consignes de fixation

- ✓ Big Ass Fans vous déconseille de fixer le ventilateur à une poutre en I soudée.
- ✓ Ne fixez pas le ventilateur directement à une poutre en I sans le système de fixation supérieur, la tige de prolongation et les étriers inférieurs.
- ✓ La poutre en I doit faire partie intégrante de la charpente existante.

Choix des trous de fixation

Mesurez la largeur de l'aile de la poutre en I à laquelle le ventilateur va être accroché. Identifiez les trous de fixation correspondant à cette largeur sur le système de fixation supérieur.

Petit système de fixation supérieur (de série)

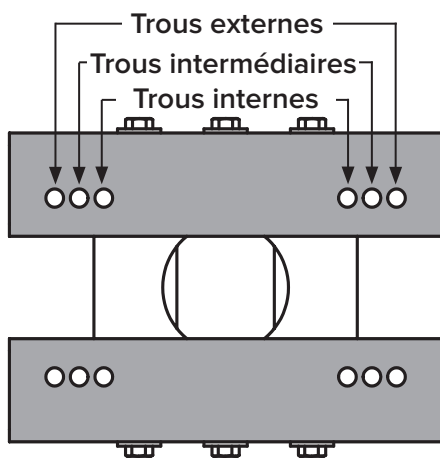
349 × 241 mm (13-3/4 × 9-1/2 po)

Largeur de l'aile de la poutre en I	Trous de fixation
127 mm à 168 mm (5 po à 6-5/8 po)	Trous internes
> 168 mm à 210 mm (> 6-5/8 po à 8-1/4 po)	Trous intermédiaires
> 210 mm à 251 mm (> 8-1/4 po à 9-7/8 po)	Trous externes

Grand système de fixation supérieur (en option)

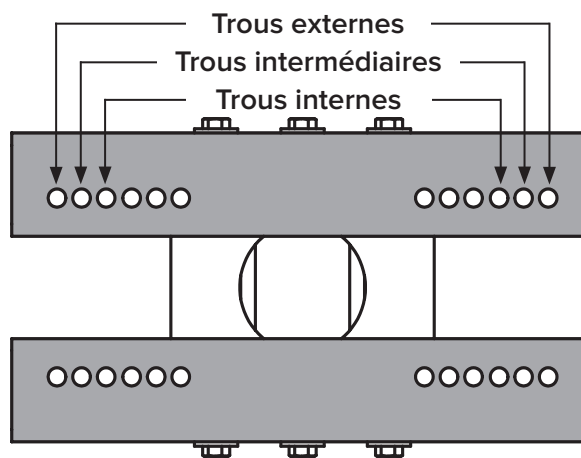
470 × 241 mm (18-1/2 × 9-1/2 po)

Largeur de l'aile de la poutre en I	Trous de fixation
251 mm à 289 mm (9-7/8 po à 11-3/8 po)	Trous internes
> 289 mm à 330 mm (> 11-3/8 po à 13 po)	Trous intermédiaires
> 330 mm à 371 mm (> 13 po à 14-5/8 po)	Trous externes



**Petit système de fixation supérieur
(de série)**

349 × 241 mm (13-3/4 × 9-1/2 po)



**Grand système de fixation supérieur
(en option)**

470 × 241 mm (18-1/2 × 9-1/2 po)

INSTALLATION DU VENTILATEUR

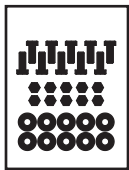
⚠ AVERTISSEMENT : Avant d'installer le ventilateur et le dispositif de commande, coupez le courant au niveau de leurs sites de montage respectifs !

1. Assemblage du système de fixation supérieur

Si vous fixez le ventilateur à des cornières métalliques sans le système de fixation supérieur, la tige de prolongation et les étriers inférieurs, passez directement à l'étape 7b.

Fixez les étriers supérieurs au support de pivotement à l'aide de la visserie pour fixation standard. Serrez les boulons à **54,2 N·m (40 pi·lb)** à l'aide d'une clé dynamométrique munie d'une douille de 19 mm (3/4 po).

Fixez les supports de fixation au support de pivotement à l'aide de la visserie pour fixation standard restante sans serrer à fond. Commencez par les boulons centraux. **Ne serrez pas la visserie à fond** : cela vous permettra d'ajuster l'angle une fois le système de fixation supérieur fixé à la structure d'ancrage.

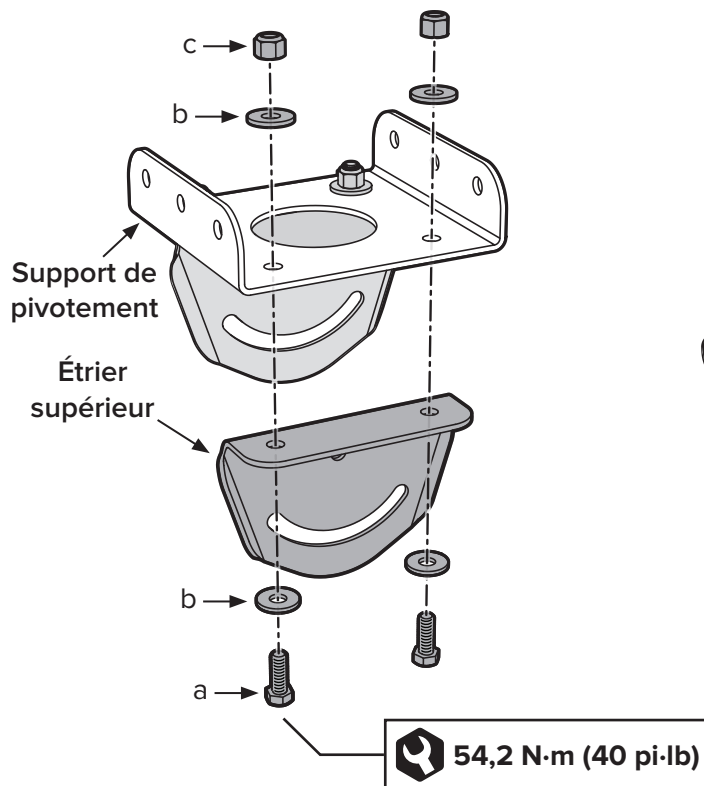


Visserie pour fixation standard :

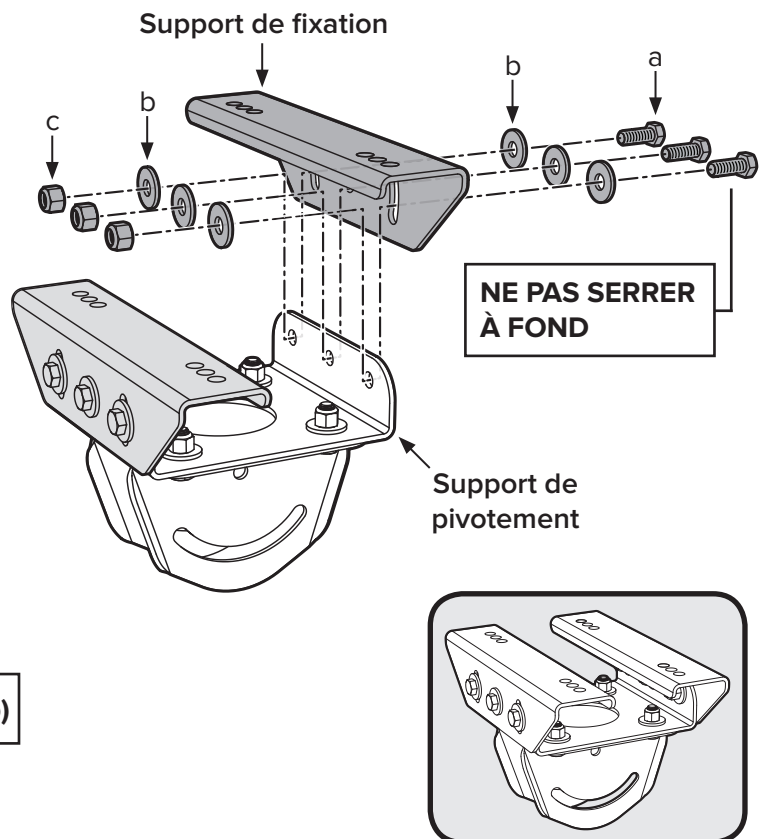
- Vis de qualité 8 1/2-13 × 1-1/2 po (10)
- Rondelles plates 1/2 po (20)
- Écrous à bague nylon 1/2-13 (10)

Plaque contenant la visserie pour fixation standard

Montage des étriers supérieurs



Montage des supports de fixation

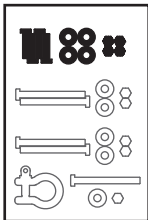


2. Fixation du système de fixation supérieur à la structure d'ancrage



Les cornières métalliques doivent être alignées sur les trous externes du système de fixation supérieur.
 N'utilisez jamais de crapauds sur des cornières métalliques.
 L'utilisation des entretoises est réservée aux poutres en I dont l'aile mesure plus de 10 mm (3/8 po) d'épaisseur.
 Veillez à ce que les entretoises soient orientées comme sur l'illustration correspondante.

Fixez le système de fixation supérieur aux cornières métalliques ou à la poutre en I à l'aide de la visserie pour structure d'ancrage. Serrez les boulons à **54,2 N·m (40 pi·lb)** à l'aide d'une clé dynamométrique munie d'une douille de 19 mm (3/4 po). Une fois le système de fixation supérieur fixé aux cornières métalliques, serrez tous les boulons fixant les cornières métalliques à la charpente à **54,2 N·m (40 pi·lb)**, à l'aide d'une clé dynamométrique munie d'une douille de 19 mm (3/4 po).

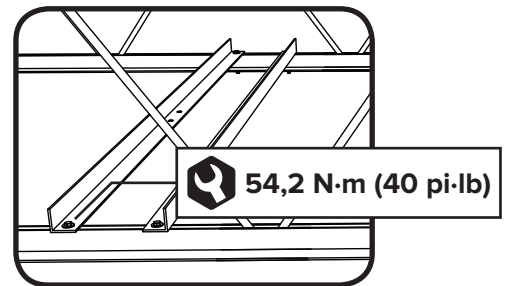


Plaque contenant la visserie pour fixation industrielle

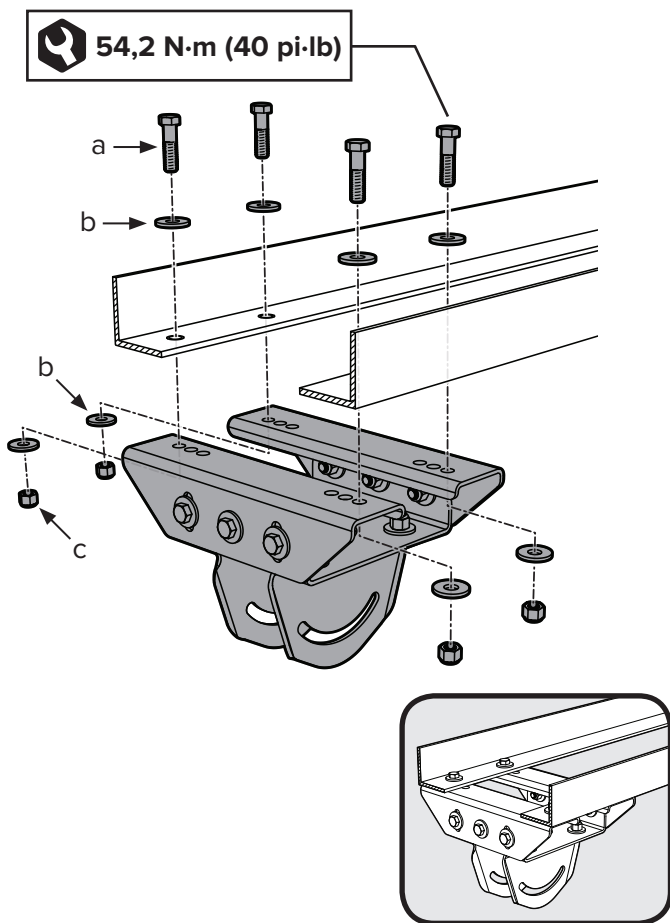
Visserie pour structure d'ancrage :

- Vis de qualité 8 1/2-13 × 2 po (4)
- Rondelles plates 1/2 po (8)
- Écrous à bague nylon 1/2-13 (4)
- Crapauds (2) – poutre en I uniquement
- Entretoises (2) – poutre en I uniquement, si l'aile mesure > 10 mm (3/8 po) d'épaisseur

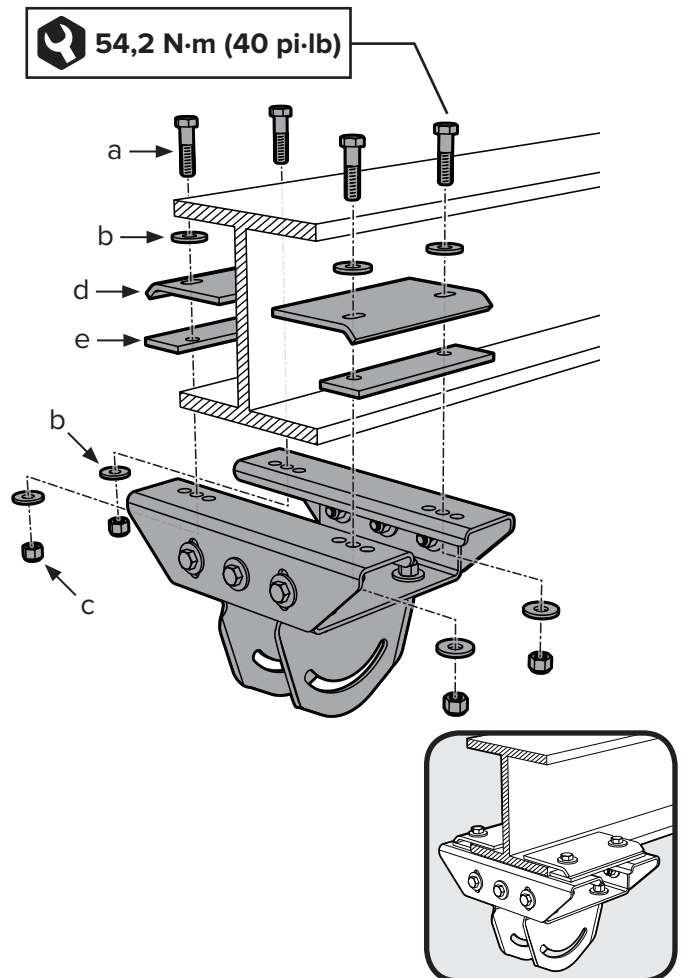
Charpente



Cornières métalliques

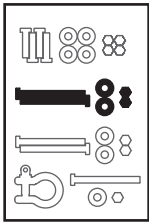


Poutre en I



3. Montage de la tige de prolongation

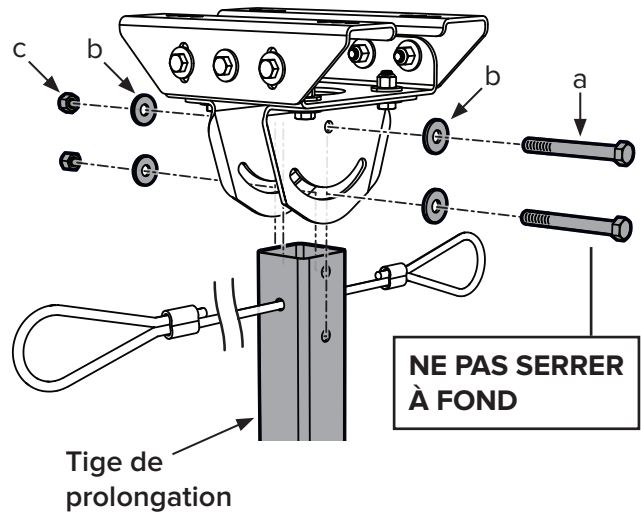
Fixez la tige de prolongation au système de fixation supérieur à l'aide de la visserie pour tige de prolongation sans serrer à fond.



Plaque contenant la visserie pour fixation industrielle

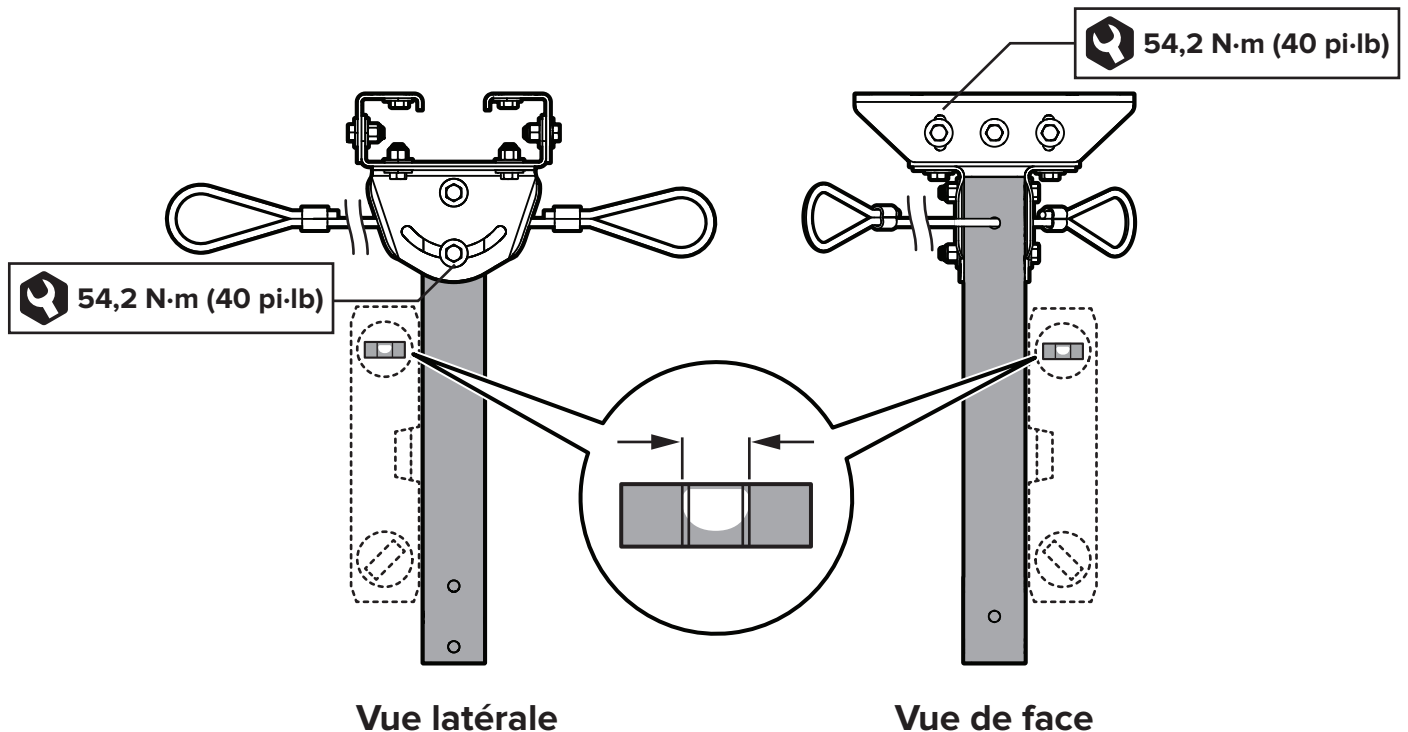
Visserie pour tige de prolongation :

- a. Vis de qualité 8 1/2-13 × 5 po (2)
- b. Rondelles plates 1/2 po (4)
- c. Écrous à bague nylon 1/2-13 (2)



4. Contrôle de l'aplomb et du niveau et serrage de la visserie

Laissez la tige de prolongation pendre librement pour qu'elle se mette d'aplomb et de niveau. Si nécessaire, ajustez l'angle au niveau du système de fixation supérieur. Une fois la tige correctement positionnée, serrez la visserie pour tige de prolongation et la visserie pour fixation standard à **54,2 N·m (40 pi·lb)**, à l'aide d'une clé dynamométrique munie d'une douille de 19 mm (3/4 po). Commencez par les boulons centraux de la visserie pour fixation standard.

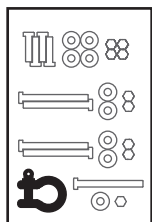


5. Fixation de l'élingue de sécurité supérieure



L'élingue de sécurité supérieure est une pièce essentielle du ventilateur. Elle doit être correctement mise en place. N'hésitez pas à contacter le service à la clientèle si vous avez la moindre question.

Enroulez l'élingue de sécurité supérieure (pré-attachée à la tige de prolongation) autour des cornières métalliques ou de la poutre en I, puis attachez les boucles situées à ses deux extrémités à l'aide de la manille. L'élingue doit être enroulée fermement autour de la structure d'ancrage, en laissant le moins de mou possible, la manille se trouvant sur le dessus de la structure d'ancrage. Vissez bien la manille.

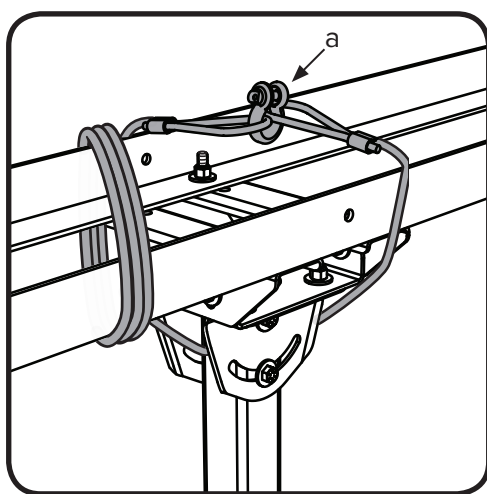


Plaque contenant la visserie pour fixation industrielle

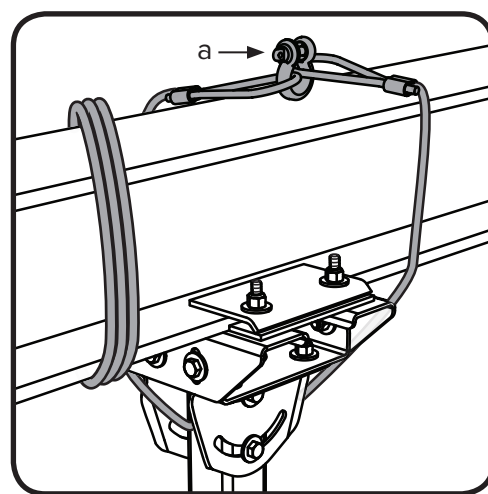
Accessoire pour élingue de sécurité :

a. Manille

Cornières métalliques

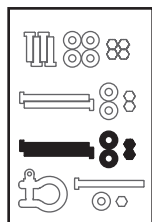


Poutre en I



6. Montage des étriers inférieurs

Fixez les étriers inférieurs à la partie inférieure de la tige de prolongation à l'aide de la visserie pour étriers inférieurs, **sans serrer à fond**.



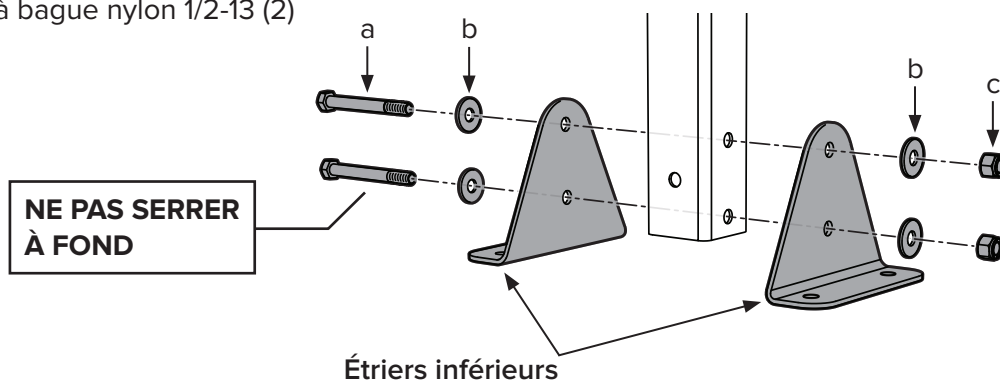
Plaque contenant la visserie pour fixation industrielle

Visserie pour étriers inférieurs :

a. Vis de qualité 8 1/2-13 × 5 po (2)

b. Rondelles plates 1/2 po (4)

c. Écrous à bague nylon 1/2-13 (2)



7a. Montage du corps du ventilateur

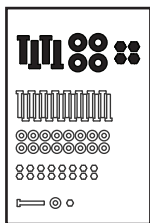
Si vous fixez le ventilateur à des cornières métalliques sans le système de fixation supérieur, la tige de prolongation et les étriers inférieurs, passez directement à l'étape 7b.



Les élingues de sécurité inférieures sont une pièce essentielle du ventilateur. Elles doivent être correctement mises en place. N'hésitez pas à contacter le service à la clientèle si vous avez la moindre question.

Fixez le corps du ventilateur aux étriers inférieurs à l'aide de la visserie pour bloc-moteur. *Ne posez pas le corps du ventilateur au sol.* Serrez les boulons à **54,2 N·m (40 pi·lb)** à l'aide d'une clé dynamométrique munie d'une douille de 19 mm (3/4 po).

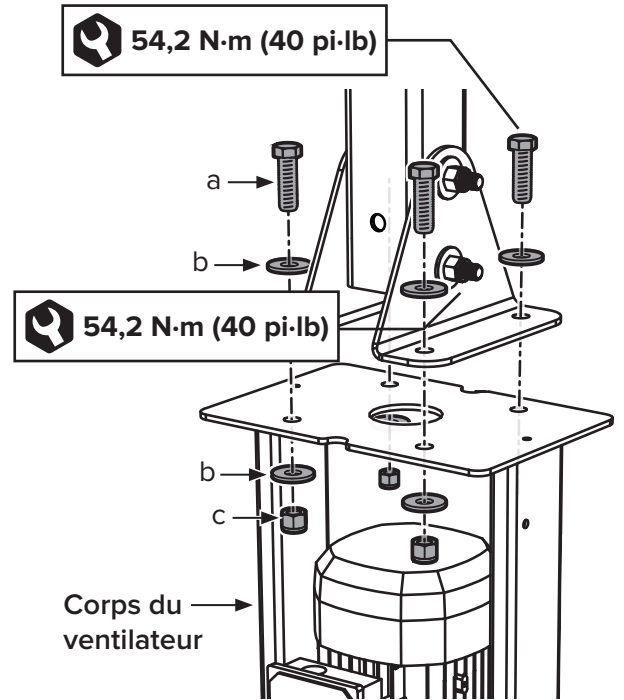
Une fois le corps du ventilateur fixé aux étriers inférieurs, serrez tous les boulons fixant les étriers inférieurs à la tige de prolongation à **54,2 N·m (40 pi·lb)**, à l'aide d'une clé dynamométrique munie d'une douille de 19 mm (3/4 po).



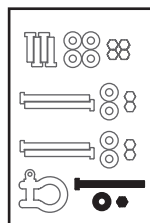
Plaque contenant la visserie pour bloc-moteur et pour pales

Visserie pour bloc-moteur :

- a. Vis de qualité 8 1/2-13 × 1-3/4 po (4)
- b. Rondelles plates 1/2 po (8)
- c. Écrous à bague nylon 1/2-13 (4)



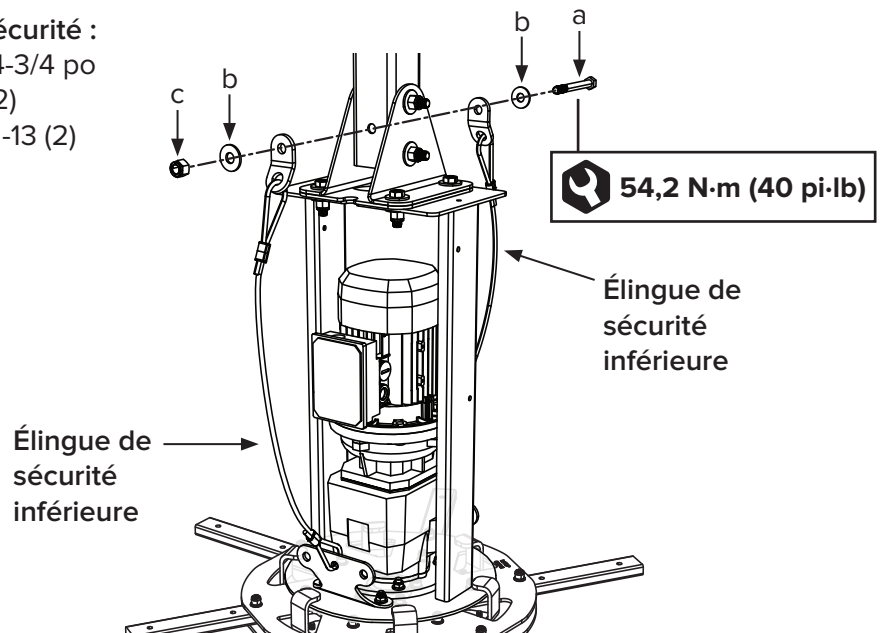
Fixez les deux élingues de sécurité inférieures (pré-attachées au corps du ventilateur) à la partie inférieure de la tige de prolongation à l'aide de la visserie pour élingues de sécurité. Serrez le boulon à **54,2 N·m (40 pi·lb)** à l'aide d'une clé dynamométrique munie d'une douille de 19 mm (3/4 po).



Plaque contenant la visserie pour fixation industrielle

Visserie pour élingues de sécurité :

- a. Vis de qualité 8 1/2-13 × 4-3/4 po
- b. Rondelles plates 1/2 po (2)
- c. Écrous à bague nylon 1/2-13 (2)

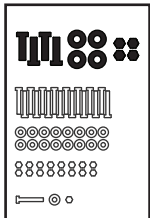


7b. Montage du corps du ventilateur (fixation directe)



Les élingues de sécurité inférieures sont une pièce essentielle du ventilateur. Elles doivent être correctement mises en place. N'hésitez pas à contacter le service à la clientèle si vous avez la moindre question.

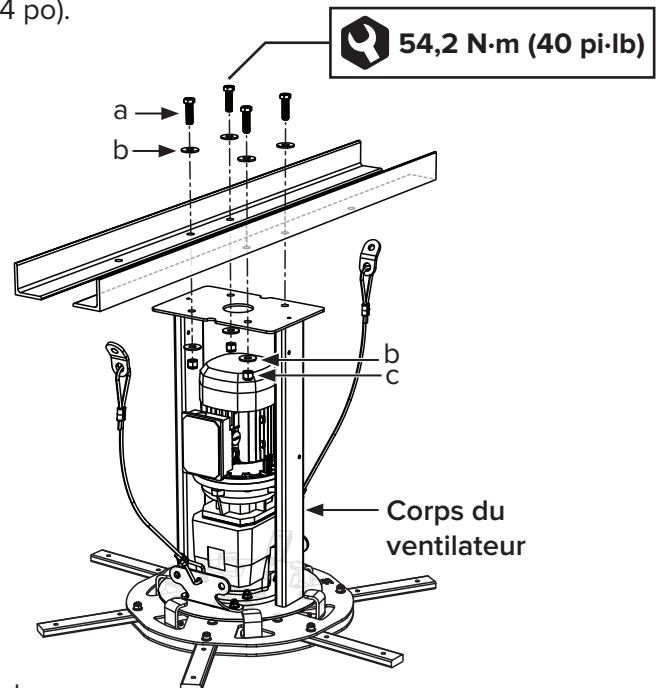
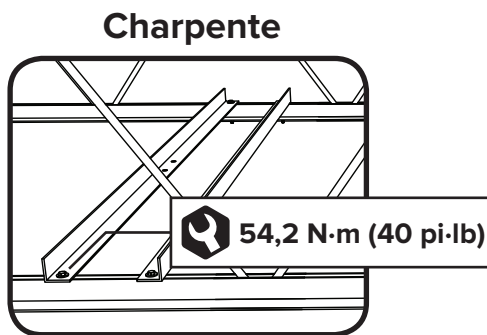
Fixez directement le corps du ventilateur aux cornières métalliques à l'aide de la visserie pour bloc-moteur. *Ne posez pas le corps du ventilateur au sol.* Serrez les boulons à **54,2 N·m (40 pi·lb)** à l'aide d'une clé dynamométrique munie d'une douille de 19 mm (3/4 po). Une fois le corps du ventilateur fixé aux cornières métalliques, serrez tous les boulons fixant les cornières métalliques à la charpente à **54,2 N·m (40 pi·lb)**, à l'aide d'une clé dynamométrique munie d'une douille de 19 mm (3/4 po).



Plaque contenant la visserie pour bloc-moteur et pour pales

Visserie pour bloc-moteur :

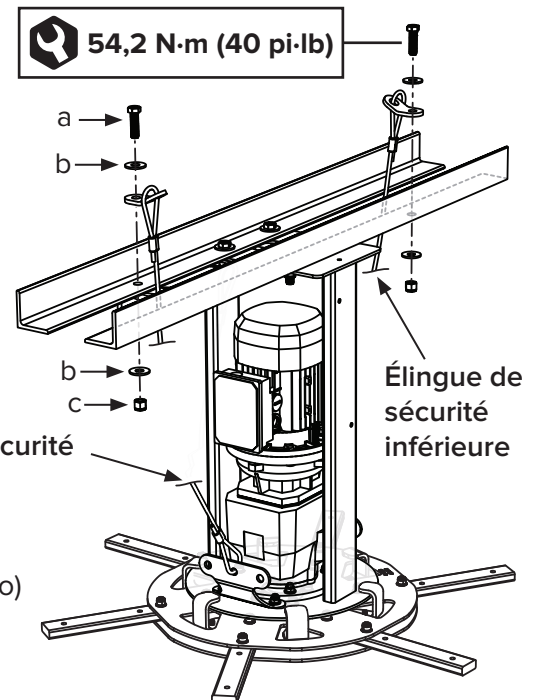
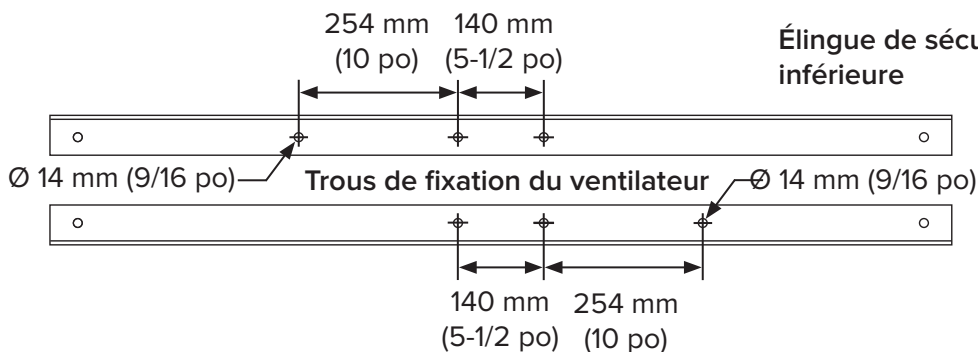
- Vis de qualité 8 1/2-13 × 1-3/4 po (4)
- Rondelles plates 1/2 po (8)
- Écrous à bague nylon 1/2-13 (4)



Percez un trou de 14 mm (9/16 po) de diamètre au centre de chaque cornière, à exactement 254 mm (10 po) des trous de fixation du ventilateur, comme illustré ci-dessous. Fixez les deux élingues de sécurité inférieures (pré-attachées au corps du ventilateur) aux trous préalablement percés, à l'aide de boulons de qualité 8 fournis par l'installateur. Serrez les boulons à **54,2 N·m (40 pi·lb)** à l'aide d'une clé dynamométrique munie d'une douille de 19 mm (3/4 po).

Visserie pour élingues de sécurité (fournie par l'installateur) :

- Vis de qualité 8 1/2-13 × 1-1/2 po (2)
- Rondelles plates 1/2 po (4)
- Écrous à bague nylon 1/2-13 (2)



8. Fixation murale du VFD

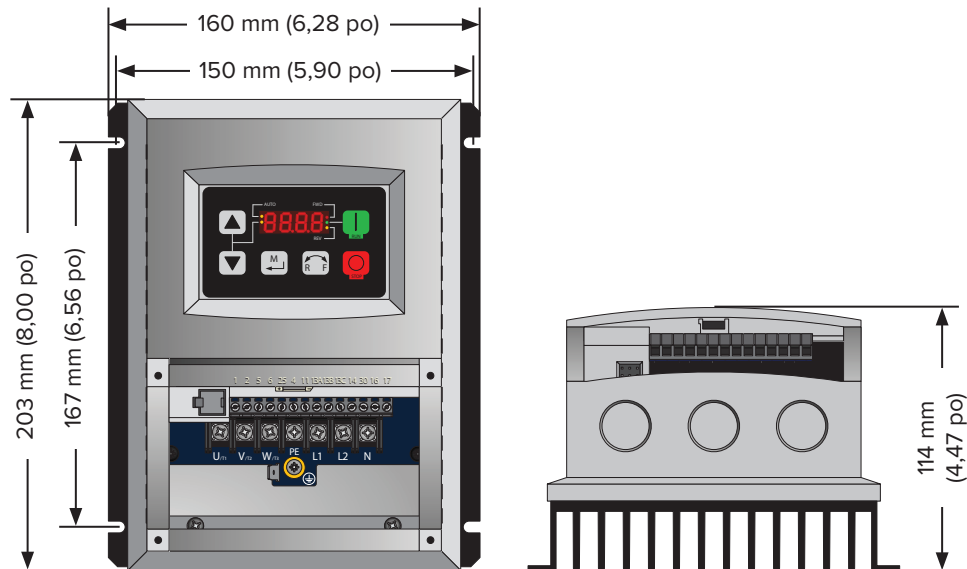
A. Choix du site de montage

Choisissez le site de montage du VFD en respectant les consignes suivantes :

- ✓ Installez le VFD sur une surface plane, facilement accessible et exempte de vibrations, à l'écart de tout autre objet ou dispositif mobile.
- ✓ N'installez pas le VFD à proximité ou au-dessus d'une source de chaleur ou d'un appareil de chauffage.
- ✓ La température ambiante doit être comprise entre -10 °C et 50 °C (14 °F et 122 °F), avec une humidité relative de 0 % à 95 % (sans condensation).
- ✓ N'exposez pas le VFD à une atmosphère corrosive ou à la lumière directe du soleil.
- ✓ Le ventilateur doit être visible depuis le VFD.
- ✓ Ménagez une distance d'au moins 152 mm (6 po) entre deux VFD.

B. Fixation du VFD

Fixez le VFD au mur à l'aide d'une vis de calibre 8 à 10. Consultez le schéma ci-dessous pour connaître les cotes de fixation.



9. Câblage et test du ventilateur

⚠ AVERTISSEMENT : Avant de procéder au câblage, coupez le courant au niveau du site de montage !

Le VFD est livré avec un câble d'alimentation CA de 3 m (10 pi) pré-attaché. Vérifiez que les fils d'alimentation ont été tirés jusqu'à une boîte de dérivation située au niveau du site de montage du VFD. Le ventilateur est livré avec un câble moteur de 15,2 m (50 pi) pré-attaché. Connectez ce câble moteur au VFD conformément au schéma correspondant à votre configuration. Pour cela, reportez-vous au chapitre *Schémas de câblage du VFD*. Si vous avez besoin de rallonger les fils de sortie du VFD/fils d'entrée du moteur, utilisez un câble toronné. Mettez le ventilateur sous tension et testez-le.

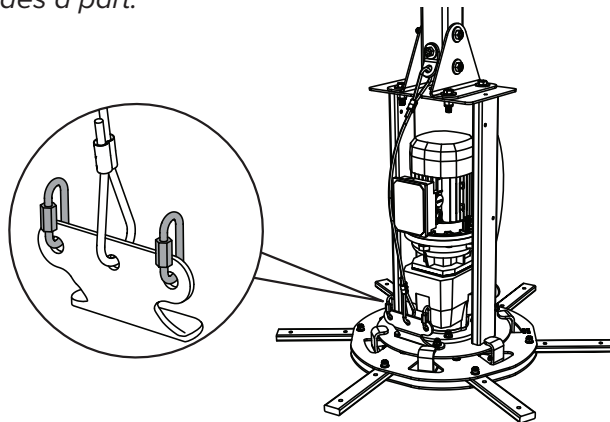
10. Mise en place des haubans

⚠ AVERTISSEMENT : Coupez l'alimentation du ventilateur avant de mettre les haubans en place !

✍ Remarque : Les haubans ne sont fournis que si la longueur de la tige de prolongation du ventilateur est supérieure ou égale à 1,2 m (4 pi) ou s'ils ont été commandés à part.

A. Mise en place des mousquetons de sécurité sur le corps du ventilateur

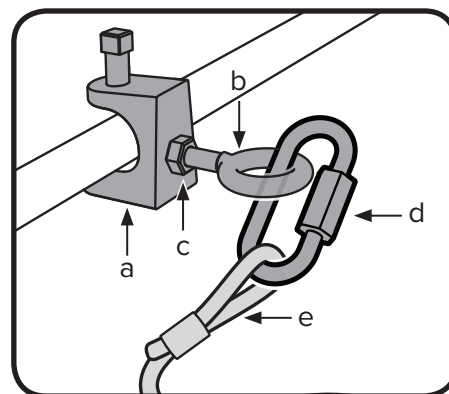
Accrochez les quatre mousquetons de sécurité aux supports du corps du ventilateur. Vissez-les bien.



B. Fixation des attache-poutres et des haubans à la structure d'ancrage

Fixez chaque attache-poutre à la structure d'ancrage, à environ 45° par rapport au plan horizontal. Serrez la vis de réglage à fond pour maintenir l'attache-poutre en place. Fixez le petit piton et l'écrou à l'attache-poutre. L'écrou doit se trouver à l'extérieur de l'attache-poutre.

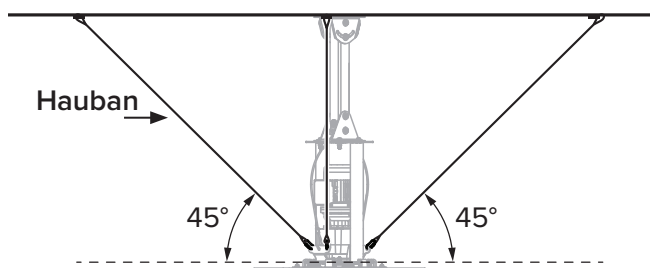
Faites passer l'extrémité sertie de chaque hauban dans un mousqueton et accrochez chaque mousqueton à un piton. Vissez bien les mousquetons. *Pour de meilleurs résultats, les haubans doivent être positionnés à 45° dans les plans X-Y, Y-Z et X-Z. Si l'angle formé dévie de plus de 15°, veuillez contacter le service à la clientèle pour obtenir des conseils.*



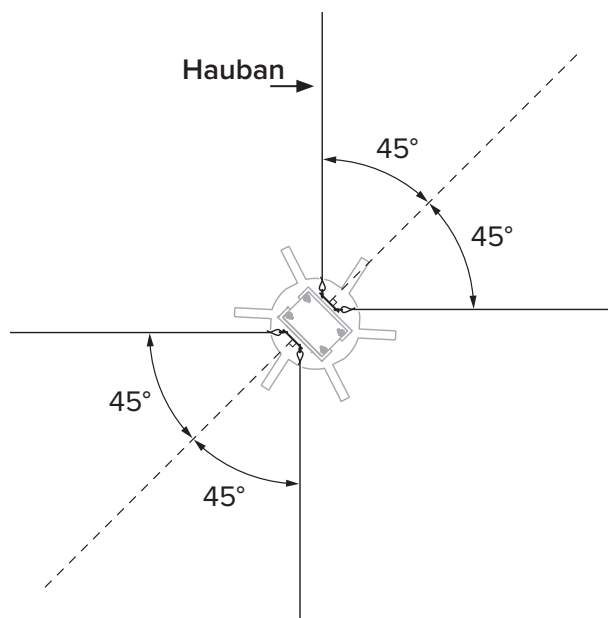
Visserie et accessoires pour haubans :

- a. Attache-poutres 1/4-20 (4)
- b. Pitons 1/4-20 × 1 po (4)
- c. Écrous hexagonaux 1/4-20 (4)
- d. Mousquetons de sécurité (4)
- e. Haubans (4)

Vue latérale (X-Y)



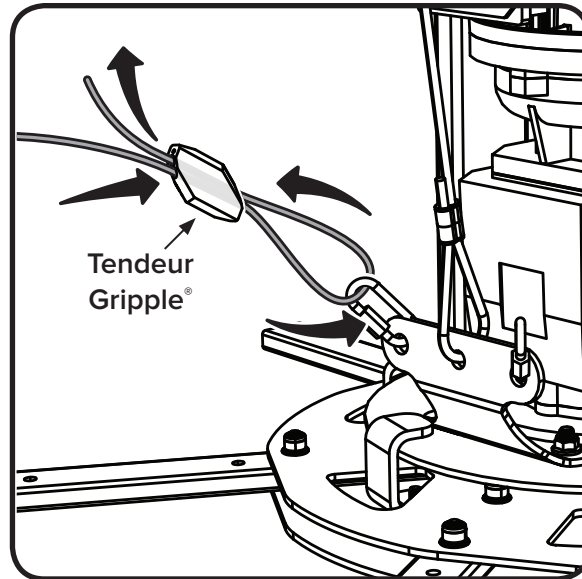
Vue du dessus (X-Z)



C. Passage des haubans dans les tendeurs Gripple®

Faites passer chaque hauban dans un tendeur Gripple® et dans l'un des mousquetons accrochés au ventilateur, avant de le faire repasser dans le tendeur Gripple®. *Ne serrez pas les tendeurs Gripple® tant que tous les haubans ne sont pas en place.*

★ Pour faire ressortir un hauban d'un tendeur Gripple®, introduisez une clé Allen de 2 mm (1/16 po) dans le petit trou du tendeur.



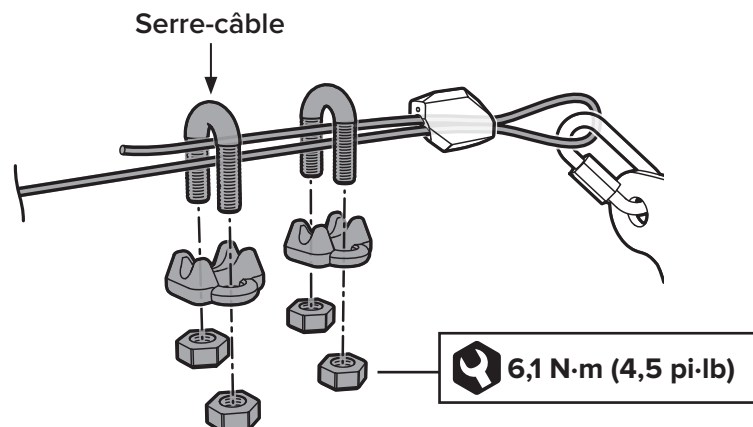
D. Fixation des haubans



Des haubans trop tendus peuvent déséquilibrer le ventilateur.

Tendez uniformément les quatre haubans au moyen des tendeurs Gripple®. Les haubans ne doivent pas être lâches et ils doivent être répartis régulièrement autour du ventilateur sans entraver le passage des pales. Ménagez une distance de 152 mm à 203 mm (6 po à 8 po) entre les tendeurs Gripple® et les mousquetons.

Une fois tous les haubans tendus et correctement positionnés, fixez leur brin lâche à l'aide des serre-câbles, puis serrez les écrous à **6,1 N·m (4,5 pi·lb)**. Veillez à ce qu'aucun câble ou cordon électrique ne soit gêné par le système de haubans.



11. Montage des pales

⚠ AVERTISSEMENT : Coupez l'alimentation du ventilateur avant de monter les pales !

A. Fixation des winglets aux pales

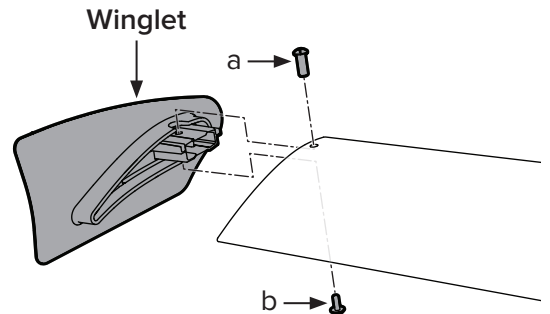
Fixez un winglet à chaque pale à l'aide de la visserie pour winglets. Vous avez besoin d'un tournevis plat et d'un tournevis cruciforme pour serrer correctement la visserie. Fixez un winglet sur chaque pale avant de monter les pales sur le ventilateur.



Plaque contenant la visserie pour winglets

Visserie pour winglets :

- a. Manchons 10-24 × 3/4 po (6)
- b. Vis 10-24 × 1/2 po (6)

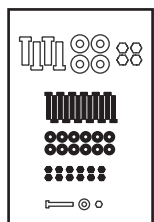


B. Fixation des pales au moyeu

En travaillant dans le sens des aiguilles d'une montre autour du moyeu du ventilateur :

1. Enfoncez les pales sur les languettes du moyeu en veillant à orienter la face incurvée vers le bas.
2. Positionnez les pièces de retenue des pales en les faisant se chevaucher, puis fixez-les à l'aide de la visserie pour pales, sans serrer à fond. Le trou A d'une pièce de retenue doit se trouver au-dessus du trou B de la pièce contigüe. *Ne serrez pas les boulons à fond tant que toutes les pièces de retenue ne sont pas en place.*
3. Procédez de même pour les pales restantes.

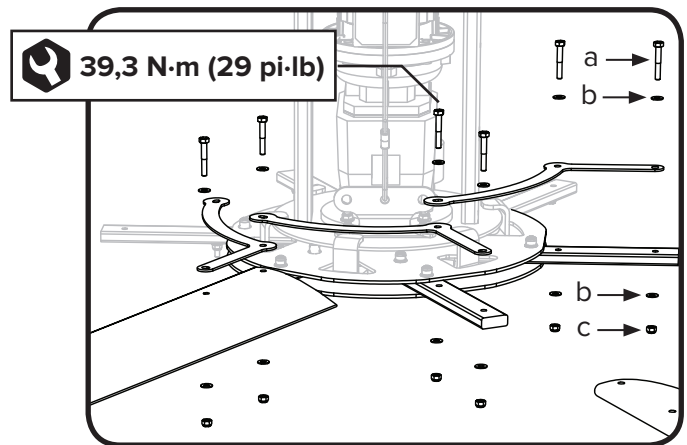
Une fois toutes les pièces de retenues en place, serrez à fond, à **39,3 N·m (29 pi·lb)**, les boulons situés sur le périmètre extérieur. Utilisez pour cela une clé dynamométrique munie d'une douille de 13 mm (1/2 po). Après avoir serré les boulons situés sur le périmètre extérieur, serrez ceux situés sur le périmètre intérieur, à **39,3 N·m (29 pi·lb)**, à l'aide d'une clé dynamométrique munie d'une douille de 13 mm (1/2 po).



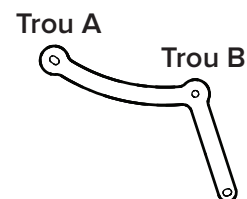
Plaque contenant la visserie pour pales et pour bloc-moteur

Visserie pour pales :

- a. Vis de qualité 8 5/16-18 × 2 po (12)
- b. Rondelles plates 5/16 po (24)
- c. Écrous à bague nylon 5/16-18 (12)




Pièce de retenue de pale



Informations complémentaires

Nous vous recommandons d'effectuer un entretien annuel systématique. Pour obtenir des informations sur l'entretien, l'utilisation et le dépannage de votre appareil, rendez-vous sur **bigassfans.com/support**

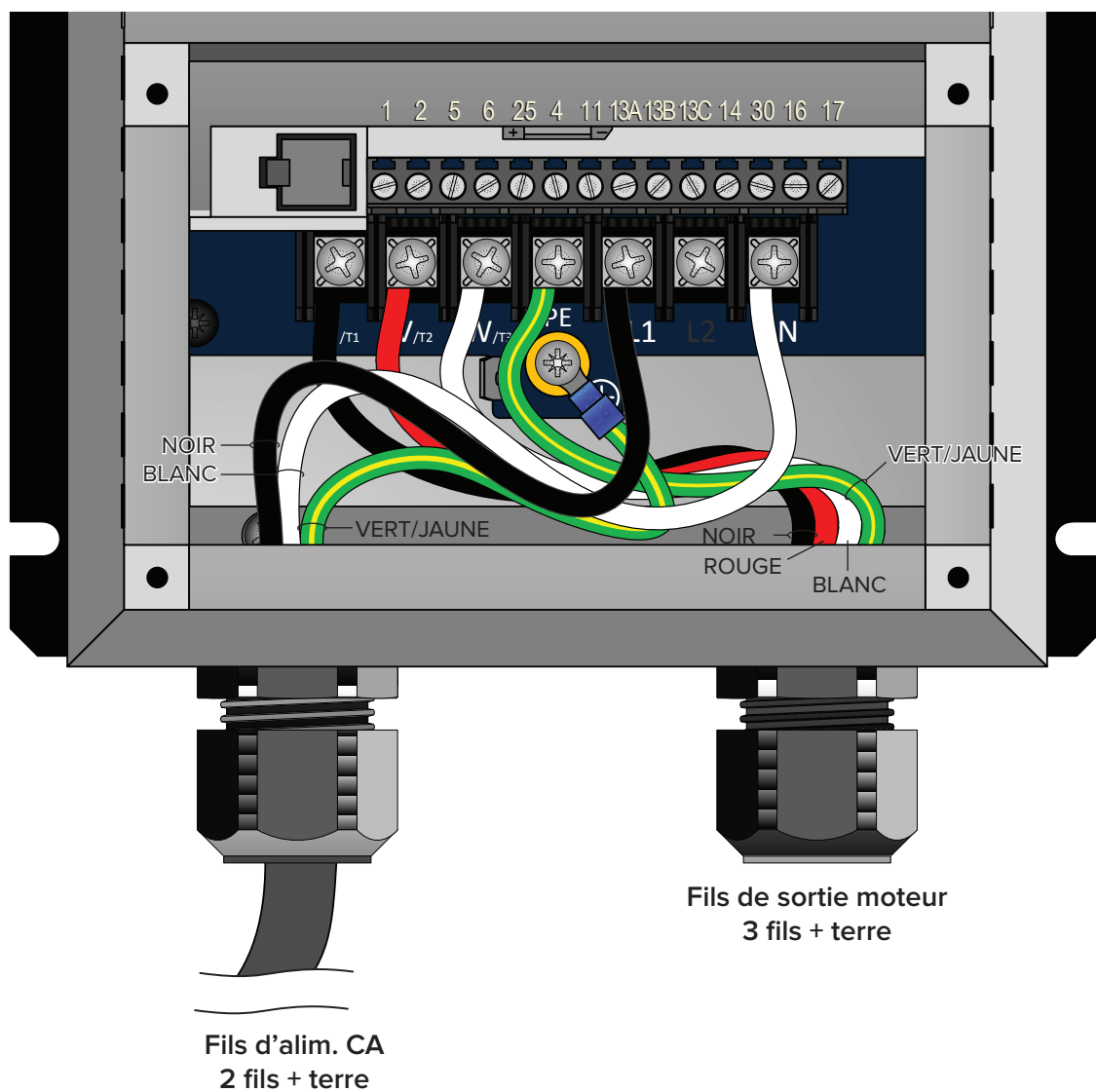
SCHÉMAS DE CÂBLAGE DU VFD

 Remarque : Le relais incendie n'apparaît pas sur les schémas de câblage du VFD. Reportez-vous au chapitre Câblage : relais incendie pour savoir comment effectuer le câblage avec un relais incendie.

Câblage : 100–125 V, 1 Φ , 50/60 Hz

 **AVERTISSEMENT** : Attendez trois minutes après la mise hors tension avant d'intervenir sur l'installation !

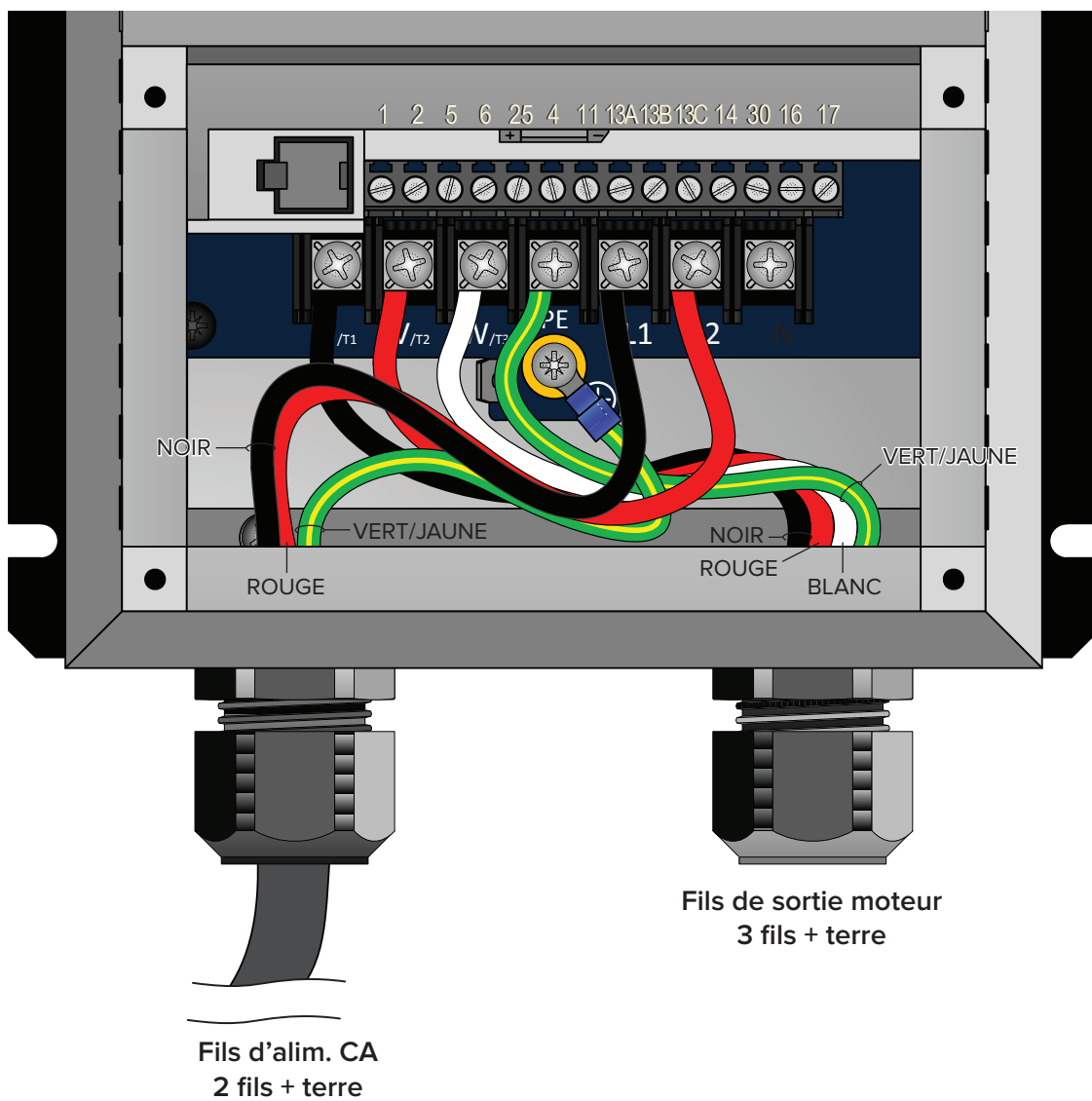
Le schéma ci-dessous montre comment câbler un VFD 100–125 V, 1 Φ , 50/60 Hz. Ce VFD est livré avec un câble d'alimentation de 3 m (10 pi) pré-attaché. La borne L2 n'est pas utilisée pour le câblage du VFD 100–125 V, 1 Φ . Ce VFD est livré sans sectionneur.



Autre possibilité de câblage : 200–240 V, 1 Φ , 50/60 Hz

⚠ AVERTISSEMENT : Attendez trois minutes après la mise hors tension avant d'intervenir sur l'installation !

Le schéma ci-dessous montre comment câbler un VFD 200–240 V, 1 Φ , 50/60 Hz. Ce VFD est livré avec un câble d'alimentation de 3 m (10 pi) pré-attaché. La borne neutre n'est pas utilisée pour le câblage du VFD 200–240 V, 1 Φ . Ce VFD est livré sans sectionneur.



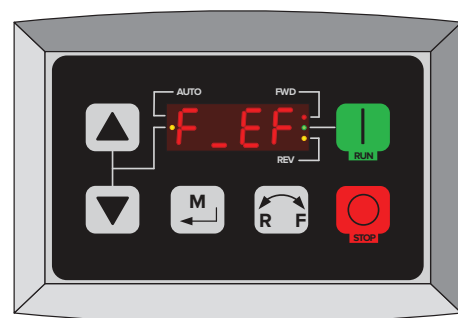
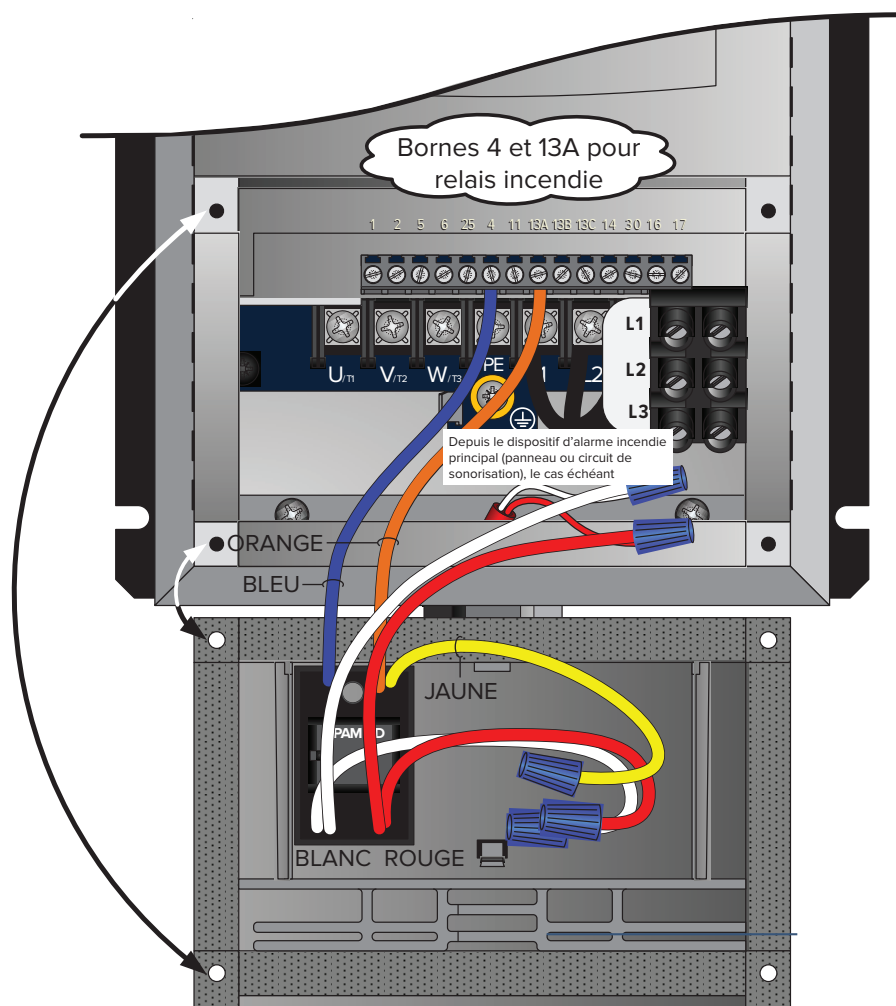
Câblage : relais incendie

⚠ AVERTISSEMENT : Attendez trois minutes après la mise hors tension avant d'intervenir sur l'installation !

Le relais incendie fourni avec le ventilateur n'est utile que si le ventilateur est installé dans un bâtiment équipé d'un réseau de sprinklers. Il permet d'intégrer le ventilateur au réseau de sprinklers et coupe le ventilateur lorsqu'il reçoit un signal d'alarme (débit d'eau). Si le bâtiment où le ventilateur est installé est équipé d'un réseau de sprinklers, procédez comme suit pour installer le relais incendie.

La fermeture du contact situé entre les bornes d'entrée numérique 4 et 13A arrête le ventilateur. Le relais fourni utilise un contact à fermeture (NO), comme illustré ci-dessous. Pour arrêter le ventilateur, la bobine du relais doit recevoir un courant en provenance du panneau d'alarme incendie. Le relais peut éventuellement être utilisé avec un contact à ouverture (NC). Pour que le ventilateur puisse fonctionner, la bobine du relais doit constamment recevoir un courant en provenance du panneau d'alarme incendie. Cette configuration peut être assimilée à un montage électrique à sécurité intrinsèque ou bloqué en position ouverte. Deux fils supplémentaires sont prévus sur la bobine du relais pour le passage de signaux de surveillance, le cas échéant.

Installez le relais incendie au dos du couvre-fils du VFD.



Un état d'alarme entraîne l'arrêt du ventilateur et l'affichage d'un message d'erreur externe « F_EF » sur l'écran du VFD.

Bobine du relais : détail des contacts

Blanc (× 2)	(-)	C	Bleu
		NC	Jaune
Rouge (× 2)	(+)	NO	Orange

Bobine : 20–32 V CC en 20 mA

NOUS CONTACTER

Communiquez avec un expert de Big Ass Fan en composant l'un des numéros indiqués ci-dessous ou en vous rendant sur www.bigassfans.com



Service à la clientèle

United States

2348 Innovation Drive
Lexington, KY 40511
USA
877-244-3267
1 859-233-1271

Australie/Océanie

35 French Street
Eagle Farm, QLD 4009
Australie
07 3292 0100

L'Europe

OBELIS S.A
Bd. Général Wahis, 53
1030 Brussels, Belgium
+32.2.732.59.54

Canada

6300 Northwest Dr, Unit 3
Mississauga, ON L4V 1J7
Canada
1-844-924-4277

Asie du Sud et du Sud-Est

18 Tampines Industrial Crescent
#06-07
Singapour 528 605
65 6709 8500

Malaisie (support général)

No 4, Jalan Jururancang U1/21A
Hicom Glenmarie Industrial Park
40150 Shah Alam, Selangor
Malaisie
(+603) 5565 0888

Mexique

CEBSA (Corporación Eléctrica del
Bravo SA de CV)
Avenida Ind. Rio San Juan
Lote 3-A Parque Industrial del Norte
Reynosa, Tamps C.P. 88736
<http://cebsainc.com/>
+52 1 899 925 6398



Fabrication et garantie

Vous êtes responsable de payer l'expédition pour le retour d'un équipement à Big Ass Fans aux fins de recyclage en vertu de la directive DEEE.

Fabrication

2251 Innovation Drive
Lexington, KY 40511
USA

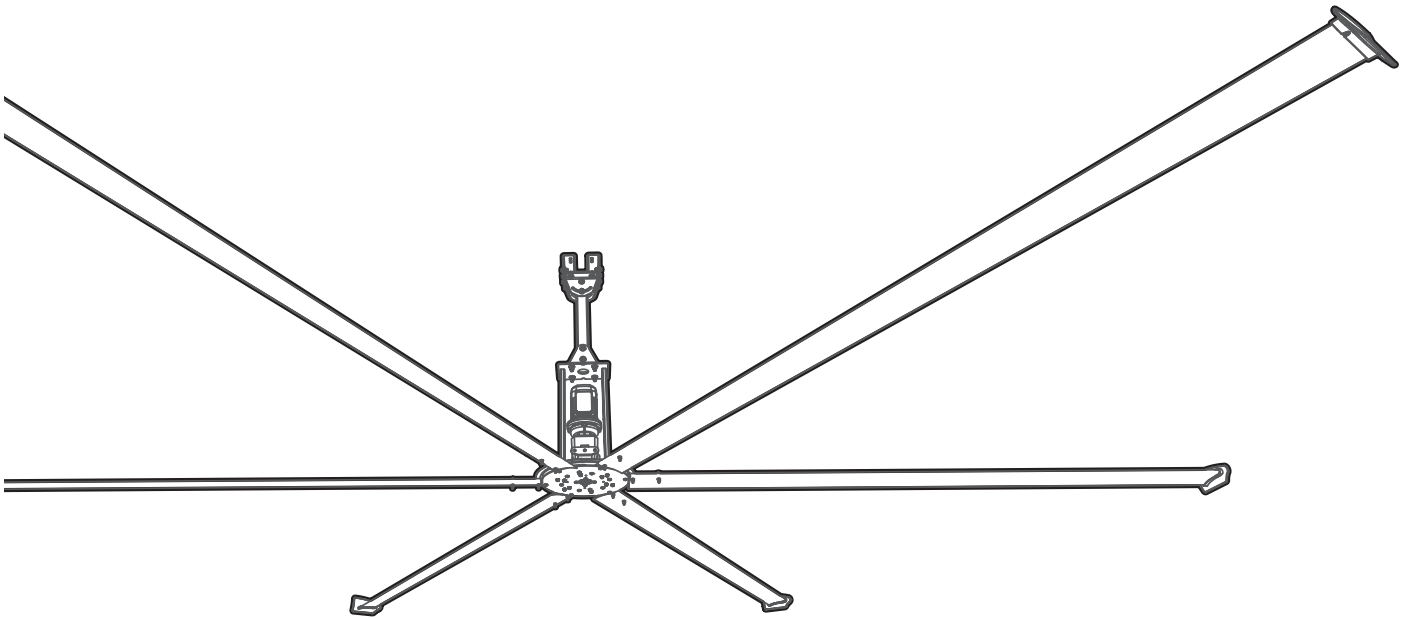
Procédures de garantie et DEEE

2251 Innovation Drive
Lexington, KY 40511
USA



GUÍA DE INSTALACIÓN

ShopFan



Si necesita ayuda, llámenos al 1-877-BIG-FANS
o visite www.bigassfans.com

LISTA DE CONTROLES PREVIOS A LA INSTALACIÓN

La estructura de mi edificio es adecuada para instalar el ventilador.

La montura estándar incluida con este ventilador permite colgarlo de perfiles angulares montados en vigas de celosía o de una viga doble T. No instale el ventilador en una correa simple, en un armazón ni en una viga de celosía. Consulte a un ingeniero estructural para conocer métodos de montaje no incluidos en este manual.

Un ingeniero estructural aprobó la estructura de montaje.

La estructura de montaje debe poder soportar las fuerzas de torsión que genera el ventilador.

Estoy familiarizado con la función de los cables de seguridad.

El ventilador se instalará de manera tal que las aspas aerodinámicas queden por lo menos a 10 ft (3 m) del piso.

El ventilador se instalará de modo que las aspas aerodinámicas queden a una distancia de por lo menos 2 ft (610 mm) de cualquier obstáculo y de la estructura del edificio.

La distancia del ventilador al obstáculo se debe medir desde el borde de las aletas hasta el obstáculo.

El ventilador se instalará de manera tal que no esté expuesto a vientos fuertes como los que provocan los sistemas de calefacción, ventilación y aire acondicionado (HVAC) ni cerca de una puerta de garaje de gran tamaño.

Si el ventilador se instala a la misma altura que un difusor o más alto que el mismo, las aletas deben estar como mínimo a una distancia igual al diámetro del ventilador. Si el ventilador se instala debajo de un difusor, las aletas deben estar como mínimo a una distancia igual a 2x la medida del diámetro del ventilador.

La distancia entre múltiples ventiladores debe ser, como mínimo, 2.5x el diámetro de los ventiladores, medida entre los centros de los mismos.

Las aspas aerodinámicas y otros componentes del ventilador son los que se envían junto con el motor.

Si va a instalar múltiples ventiladores, no mezcle ni combine sus componentes.

El circuito de alimentación eléctrica tiene el tamaño y la tensión apropiados, y el cableado eléctrico llega hasta el lugar donde se instalará el regulador de frecuencia variable (VFD) del ventilador.

En la sección *Guía para el cableado eléctrico* encontrará los requisitos para el circuito de alimentación y lineamientos para el cableado eléctrico.

Si el tubo de extensión de mi ventilador mide 4 ft (1.2 m) o más, si el ventilador está expuesto a vientos fuertes o cruzados o si el ventilador está instalado cerca de cualquier instalación fija del edificio, voy a asegurar el ventilador con los cables de sujeción provistos como medida de seguridad.

La montura superior tiene el tamaño correcto para la estructura donde se realizará el montaje.

LEA Y CONSERVE ESTAS INSTRUCCIONES



	SÍMBOLO DE ADVERTENCIA Y PRECAUCIÓN. Indica un peligro con un nivel de riesgo medio que, de no evitarse, podría provocar lesiones graves, o incluso la muerte, y daños a la propiedad.
	SÍMBOLO DE ADVERTENCIA ELÉCTRICA. Indica un peligro eléctrico con un nivel de riesgo medio que, de no evitarse, podría provocar lesiones graves o incluso la muerte.
	SÍMBOLO DE ATENCIÓN Indica información crítica para la instalación que debe leerse antes de proceder.
	SÍMBOLO DE NOTA Indica información útil que no es crítica para la instalación.
	SÍMBOLO DE CONSEJO Indica sugerencias que facilitarán el proceso de instalación.
	SÍMBOLO DE ESPECIFICACIÓN DE PAR DE TORSIÓN Indica las especificaciones de par de torsión para los accesorios en uno de los pasos de la instalación.



Guía de instalación
Diciembre de 2018
Rev. A
12/06/2018



Cumple con la norma UL 507: Ventiladores eléctricos
Certificado de conformidad con CSA STD C22.2 No. 113: Ventiladores

Las instrucciones originales están en inglés.

Este producto fue fabricado en una planta cuyo Sistema de Gestión está certificado de conformidad con la norma ISO 9001.

Una instalación, entrega o mantenimiento incorrecto, incluidas pero sin limitarse a cualquiera de las siguientes acciones por parte del cliente o de un representante del cliente, constituirá un incumplimiento de todas las garantías y las invalidará:

- Incumplimiento de los procedimientos de instalación requeridos especificados en la Guía de Instalación y en cualquier otra documentación suministrada junto con los ventiladores y equipos relacionados, incluida la documentación proporcionada por los fabricantes de los componentes individuales de los ventiladores y controles;
- Incumplimiento de todos los códigos y ordenanzas aplicables, incluido pero sin limitarse al Código Eléctrico Nacional (Estados Unidos), los códigos eléctricos nacionales y locales aplicables y los códigos de construcción estatales y locales;
- Incumplimiento de las normas de la industria de la ingeniería eléctrica con respecto al método aprobado para la instalación de equipos eléctricos de estado sólido con las características de los ventiladores, los controles de los ventiladores y sus componentes relacionados, incluso si dichas normas no se mencionan específicamente en las instrucciones o la documentación suministrada por Big Ass Fans o por los fabricantes.

Todas las marcas comerciales usadas en este documento son propiedad de sus respectivos dueños. Ninguna parte de este manual se podrá reproducir o traducir a otros idiomas sin el consentimiento previo por escrito de Big Ass Fans. La información contenida en este documento está sujeta a cambios sin previo aviso. Para obtener la información más reciente, consulte la guía de instalación disponible en www.bigassfans.com

INSTRUCCIONES IMPORTANTES DE SEGURIDAD

ADVERTENCIA – PARA REDUCIR EL RIESGO DE INCENDIO, DE DESCARGA ELÉCTRICA O DE LESIONES RESPETE LAS SIGUIENTES INSTRUCCIONES:

ADVERTENCIA: ¡Desconecte la alimentación eléctrica de los lugares donde instalará el ventilador y el controlador antes de comenzar el proceso!

ADVERTENCIA: Los trabajos de instalación y cableado eléctrico deben ser realizados por personal calificado de acuerdo con todos los códigos y normas aplicables, incluso aquellos para construcción con clasificación para resistencia al fuego. Una instalación incorrecta puede provocar descargas eléctricas o daños al motor y al controlador.

ADVERTENCIA: La instalación se debe realizar de acuerdo con los requisitos establecidos por el Código Eléctrico Nacional (NEC), la norma ANSI/NFPA 70 y todos los códigos nacionales y locales.

ADVERTENCIA: No instale el ventilador a menos que la estructura en la cual realizará la instalación sea de construcción sólida, esté en buen estado y pueda soportar la carga del ventilador y su método de montaje. Antes de realizar la instalación, un ingeniero estructural debe verificar que la estructura sea adecuada. Verificar la estabilidad de la estructura de montaje es exclusiva responsabilidad del cliente o del usuario final. Por la presente, Big Ass Fans excluye expresamente cualquier responsabilidad que pudiera surgir en relación con la misma o que pudiera surgir del uso de cualquier material o accesorio diferente a los provistos por Big Ass Fans o de otra manera especificados en estas instrucciones de instalación.

ADVERTENCIA: El ventilador se debe instalar con partes cuyos embalajes indiquen que son apropiadas para este modelo. No pueden sustituirse por otras partes similares.

ADVERTENCIA: Para reducir el riesgo de incendio, de descarga eléctrica y de lesiones, los ventiladores Big Ass Fans se deben instalar con los controladores suministrados por Big Ass Fans. No pueden sustituirse por otras piezas.

PRECAUCIÓN: Los VFD que no tienen fusibles se deben alimentar a través de un disyuntor dedicado, un interruptor con fusible adecuado u otros medios apropiados para la protección de circuitos derivados, cortocircuitos y fallas de tierra. Consulte los requisitos en los códigos eléctricos nacionales y locales.

ATENCIÓN: Si la instalación se va a realizar en Estados Unidos, el ventilador se debe instalar de acuerdo con las siguientes directrices de la Asociación Nacional de Protección contra Incendios (NFPA):

- El ventilador debe estar aproximadamente centrado entre cuatro rociadores adyacentes.
- La distancia vertical entre el ventilador y el deflector del rociador debe ser de al menos 3 pies (914 mm).
- El ventilador se debe enclavar de modo que se apague inmediatamente al recibir una señal de flujo de agua enviada por el sistema de alarmas.

ADVERTENCIA: Asegúrese de que no haya ninguna persona debajo del ventilador durante su instalación.

ADVERTENCIA: Cuando corte o perforo una pared o el techo, tenga cuidado de no dañar el cableado eléctrico u otros servicios ocultos.

PRECAUCIÓN: La unidad principal del ventilador es pesada. Tenga cuidado al levantarla. Para levantar el peso del ventilador necesitará un elevador de tijera u otro mecanismo de izaje adecuado y al menos dos instaladores.

ADVERTENCIA: EL VFD del ventilador contiene condensadores de alta tensión que demoran cierto tiempo en descargarse una vez desconectados del suministro eléctrico. Antes de trabajar en el VFD, asegúrese de que el suministro eléctrico esté aislado de las entradas de línea en la desconexión del controlador del ventilador o el VFD. Espere tres minutos para que los condensadores se descarguen hasta llegar a niveles de tensión seguros. De no hacerlo, se podrían producir lesiones personales o incluso la muerte. El oscurecimiento de los LED de la pantalla no indica que los niveles de tensión sean seguros.

PRECAUCIÓN: La instalación de este ventilador requiere el uso de algunas herramientas eléctricas. Siga los procedimientos de seguridad descritos en el manual del propietario de cada una de estas herramientas y no las utilice con otro fin que no sea el previsto por el fabricante.

PRECAUCIÓN: No doble las aspas aerodinámicas al instalar, mantener o limpiar el ventilador. No inserte objetos extraños entre las aspas aerodinámicas mientras estén girando.

PRECAUCIÓN: El sistema de suspensión debe ser instalado por el fabricante, por uno de sus agentes de servicio técnico o por personas debidamente calificadas. Se aplica la misma condición en el reemplazo de piezas.

ADVERTENCIA: Utilice esta unidad solamente de la manera prevista por el fabricante. Si tiene alguna pregunta, comuníquese con el fabricante.

ADVERTENCIA: Si observa que el ventilador oscila de forma inusual, deténgalo inmediatamente y comuníquese con el fabricante, con uno de sus agentes de servicio técnico o con una persona debidamente calificada.

PRECAUCIÓN: No haga funcionar ningún ventilador que tenga un cable o enchufe dañado. Descarte el ventilador o devuélvalo a un servicio técnico autorizado para su inspección y/o reparación.

ADVERTENCIA: Este artefacto no fue diseñado para ser utilizado por personas (incluyendo niños) con discapacidades físicas, sensoriales o mentales disminuidas, ni por personas sin experiencia o conocimiento, a menos que éstas hayan recibido supervisión o instrucción con respecto al uso del ventilador por parte de una persona responsable por su seguridad. Los niños deben estar supervisados para garantizar que no jueguen con el artefacto.

ADVERTENCIA: Riesgo de incendio, de descarga eléctrica o de lesiones durante la limpieza y el mantenimiento realizado por el usuario. Desconecte el artefacto de la alimentación eléctrica antes de realizar el mantenimiento.

ADVERTENCIA: Antes de realizar el servicio técnico o la limpieza de la unidad, desconecte el suministro eléctrico desde el tablero de servicio y bloquee el dispositivo de desconexión para evitar la conexión accidental del suministro eléctrico. Si el dispositivo de desconexión del servicio no se puede bloquear, coloque un dispositivo de advertencia llamativo en el tablero de servicio, como por ejemplo una etiqueta.

ADVERTENCIA: Cuando el mantenimiento o el reemplazo de un componente del ventilador requiera extraer o desconectar algún dispositivo de seguridad, este dispositivo de seguridad se deberá volver a instalar o montar tal como estaba.

PRECAUCIÓN: La garantía de producto de Big Ass Fans no cubre los daños ni las fallas de los equipos que surjan como consecuencia de una instalación o un uso incorrectos.

PRECAUCIÓN: La siguiente información es simplemente una guía para una correcta instalación. Big Ass Fans no puede asumir responsabilidad alguna por el cumplimiento o incumplimiento de cualquier código nacional, local o de cualquier otro tipo para la correcta instalación de estos controladores, ventiladores o equipos relacionados.

Apto solo para uso industrial.

DÓNDE INSTALAR SU VENTILADOR

Antes de realizar la instalación, asegúrese de que la estructura del edificio y el lugar donde se instalará el ventilador cumplan con los siguientes requisitos.

Guía general para la instalación

- ✓ La montura estándar incluida con este ventilador permite colgarlo de perfiles angulares montados en vigas de celosía o de una viga doble T. No instale el ventilador en una correa simple, en un armazón ni en una viga de celosía. Consulte a un ingeniero estructural para conocer métodos de montaje no incluidos en este manual.
- ✓ Big Ass Fans no recomienda instalar el ventilador en una viga doble T armada. Un ventilador instalado en una viga doble T armada —un elemento habitual en las estructuras metálicas— podría hacer que la viga se flexione y que el ventilador se mueva significativamente durante su operación.
- ✓ El ventilador se debe instalar de manera que cuelgue verticalmente y que horizontalmente esté paralelo a la estructura de montaje.
- ✓ Si el tubo de extensión del ventilador mide 4 ft (1.2 m) o más, si la estructura de montaje lo requiere, si el ventilador está expuesto a vientos fuertes o cruzados o si el ventilador está próximo a cualquier instalación fija del edificio, el movimiento lateral del ventilador se debe asegurar mediante cables de sujeción.

Distancias requeridas

Si el lugar donde instalará su ventilador no cumple con estos requisitos, comuníquese con el Servicio de Atención al Cliente para analizar instalaciones alternativas u otras opciones de ventilador.

Distancias generales

- ✓ El ventilador se debe instalar de manera que quede al menos a 10 ft (3 m) del piso terminado.
- ✓ La distancia entre múltiples ventiladores debe ser, como mínimo, 2.5x el diámetro del ventilador, medida entre los centros de los mismos.
- ✓ Todas las partes del ventilador deben estar a una distancia ≥ 2 ft (610 mm) de cualquier obstáculo. El área de instalación del ventilador debe estar libre de obstáculos tales como luces, cables, rociadores u otros componentes de la estructura del edificio.
- ✓ Si el ventilador se instala a la misma altura que un difusor de un sistema de calefacción, ventilación y aire acondicionado (HVAC) o más alto que el mismo, las aletas deben estar, como mínimo, a una distancia igual al diámetro del ventilador. Si el ventilador se instala debajo de un difusor de un sistema de HVAC, las aletas deben estar, como mínimo, a una distancia igual a 2x el diámetro del ventilador.
- ✓ Consulte los requisitos del fabricante del calefactor sobre las distancias mínimas a los combustibles.

Distancia al techo

Según su tamaño, el ventilador se debe instalar a la distancia indicada a continuación: La distancia al techo se debe medir desde la parte superior de las aletas hasta el techo.

Diámetro del ventilador	Distancia del techo
14 ft (4.3 m)	5 ft (1.5 m)

GUÍA PARA LA ALIMENTACIÓN ELÉCTRICA

Antes de comenzar la instalación del ventilador, haga llegar cableado de alimentación al sitio donde instalará el VFD. A continuación se indican los requisitos mínimos para el circuito de alimentación según el tamaño del ventilador.

Diámetro	Capacidad mínima del circuito ¹
14 ft (4.3 m)	20 A a 100–125 V, monofásico

1. Todos los VFD producen una tensión de salida trifásica, sin importar la fase de entrada.

Guía para el cableado eléctrico

- ✓ **Protección dedicada para los circuitos derivados.** Cada ventilador requiere protección dedicada en su circuito derivado.
- ✓ **Conducto.** Los cables de salida del VFD y entrada del motor no pueden compartir un conducto con los cables de alimentación de CA de ningún otro controlador.
- ✓ **Desconexión local.** Si corresponde, se debe instalar una desconexión local de acuerdo con todos los códigos locales.
- ✓ **Desconexión manual.** Para satisfacer los requisitos de algunos códigos locales, si el ventilador no está dentro de la línea de vista del controlador, puede ser necesario instalar una desconexión manual en el lugar donde se encuentra el motor del ventilador.
- ✓ **Extensión de los cables.** Si necesita extender los cables de salida del VFD/entrada del motor, use cable trenzado.

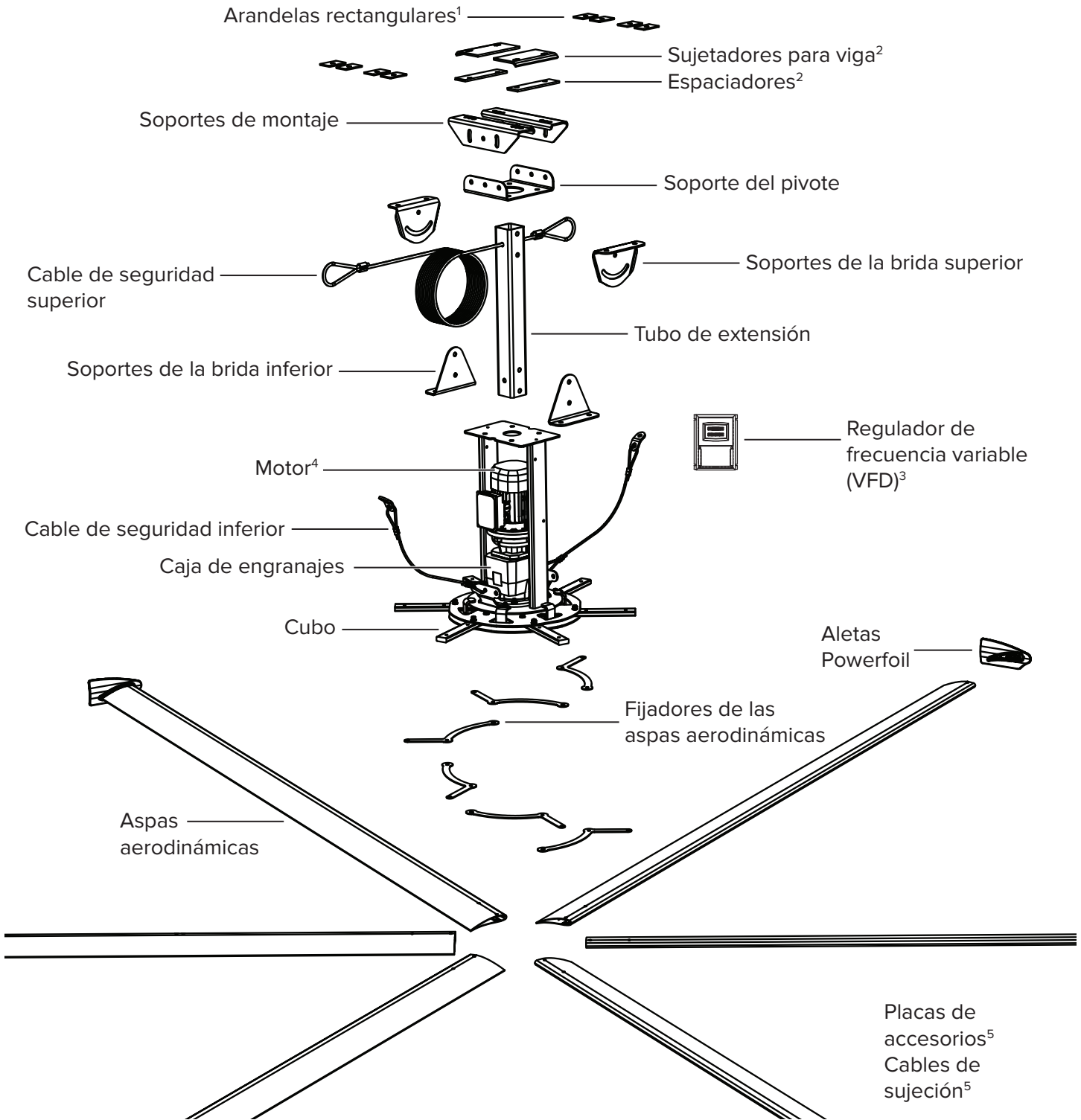
HERRAMIENTAS Y EQUIPOS

Para levantar el peso del ventilador necesitará un elevador de tijera u otro mecanismo de izaje adecuado, al menos dos instaladores y las siguientes herramientas. Dependiendo de su aplicación, puede que necesite algunas otras herramientas.

- Juego de llaves estándares.
- Juego de llaves de cubo estándares y trinquete.
- Llave de torsión con capacidad de 40 ft·lb (54.2 N·m) con casquillos de 3/4 in. (19 mm) y 1/2 in. (13 mm).
- Destornilladores Phillips y de cabeza plana.
- Juego de llaves Allen estándares.
- Llave para tuercas de 1/4 in. (6 mm).
- Llave para tuercas de 5/16 in. (8 mm).
- Pinzas pelacables #10 a #14 AWG.
- Alicates extensibles medianos.
- Multímetro.
- Nivel.

DIAGRAMA DEL VENTILADOR

Si falta alguna pieza o accesorio, comuníquese con el Servicio de Atención al Cliente. Si ha pedido varios ventiladores, guarde juntos los componentes de cada ventilador. Cada ventilador tiene componentes de diferentes características que no son intercambiables.

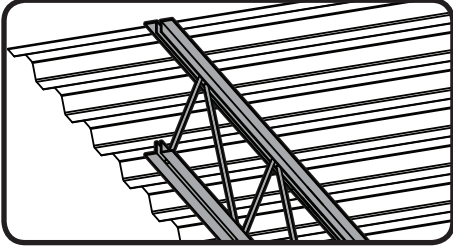


1. Solo se utilizan si el ventilador se instala en vigas de celosía. La cantidad necesaria depende de la cantidad de perfiles angulares utilizados.
2. Solo se utilizan si el ventilador se instala en una viga doble T. Los espaciadores solo se utilizan si el ala de la viga doble T tiene más de 3/8 in. (10 mm).
3. Incluye un cable de alimentación de CA de 10 ft (3 m) ya conectado, un Módulo de Programación Electrónica (EPM) ya instalado y un relé de incendio.
4. El ventilador incluye un cable de 50 ft (15.2 m) ya conectado al motor que se debe conectar al VFD.
5. No se ilustran. Se incluirán cables de sujeción solo cuando sea necesario restringir el movimiento lateral del ventilador.

GUÍA PARA LA INSTALACIÓN

Consulte a un ingeniero estructural para determinar el método de instalación apropiado para su estructura. Los cables de seguridad son necesarios cualquiera sea el método de instalación.

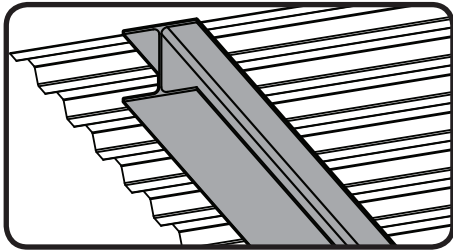
Vigas de celosía



En la sección *Preparar la estructura de montaje: vigas de celosía* encontrará las instrucciones.

- El instalador debe proveer perfiles angulares y accesorios de montaje adecuados de 1/2 in.-13 Grado 8.
- No instale el ventilador en una correa simple, en un armazón ni en una viga de celosía.
- La longitud de los perfiles angulares no debe exceder los 12 ft (3.7 m).
- Ambos extremos de los perfiles angulares se deben asegurar a la estructura del techo.
- Nunca use sujetadores para viga en los perfiles angulares.

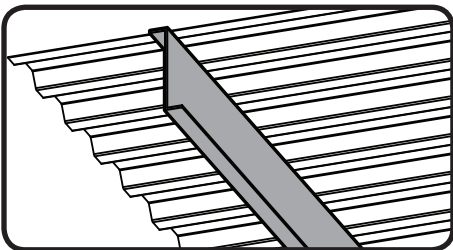
Viga doble T



En la sección *Preparar la estructura de montaje: Viga doble T* encontrará las instrucciones.

- Big Ass Fans no recomienda instalar el ventilador en una viga doble T armada.
- No instale el ventilador directamente en una viga doble T sin la montura superior, el tubo de extensión y la brida inferior.
- La viga doble T debe ser parte de la estructura existente del edificio.
- Instale espaciadores si el espesor del ala de la viga es superior a 3/8 in. (10 mm).
- En el caso de una viga doble T o de un techo inclinado, el ancho del ala de la viga debe ser de 5 in. a 9-7/8 in. (127 a 251 mm).

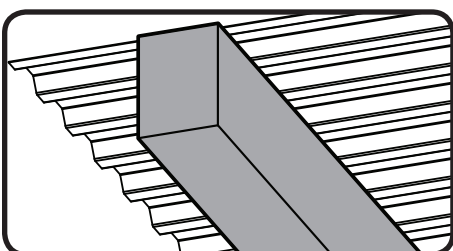
Correas Z



Consulte las instrucciones incluidas con el kit para correas Z.

- Largo de la correa: ≤ 30 ft (9.1 m).
- Separación entre correas: ≤ 5 ft (1.5 m).
- Las correas deben ser, como mínimo, de acero calibre 14.
- La longitud de los perfiles angulares debe ≤ 5 ft (1.5 m) y 1 in. (25 mm) menor que la distancia entre las correas.
- Perfil angular (ancho x alto x espesor) = 3 in. x 3 in. x 1/4 in. (76 x 76 x 6 mm).

Viga maciza



Consulte las instrucciones incluidas con el kit de soportes en L.

- Espesor de viga de hasta 14-3/8 in. (365 mm) para montura superior pequeña o de 8-3/8 in. a 19-1/8 in. (213 a 486 mm) para montura superior grande.
- El instalador debe proveer accesorios de montaje adecuados de 1/2 in.-13 Grado 8.

PREPARAR LA ESTRUCTURA DE MONTAJE: VIGAS DE CELOSÍA

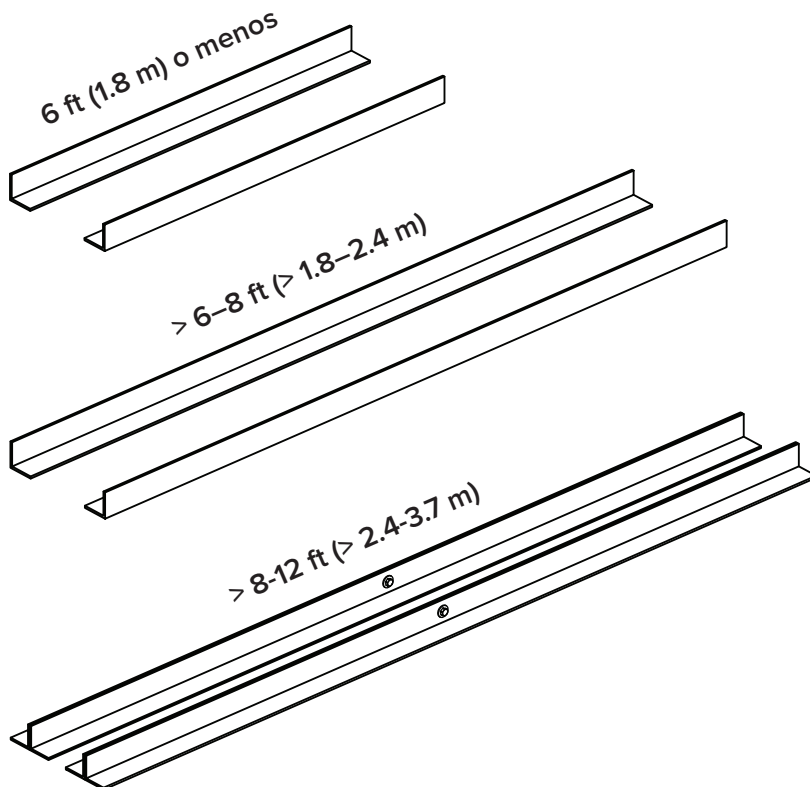
Guía para la instalación en vigas de celosía

- ✓ El ventilador se debe colgar de perfiles angulares montados en vigas de celosía.
- ✓ El instalador debe proveer los perfiles y los accesorios para los mismos.
- ✓ No instale el ventilador en una correa simple, en un armazón ni en una viga de celosía.
- ✓ La longitud de los perfiles angulares no debe exceder los 12 ft (3.7 m).
- ✓ Ambos extremos de los perfiles angulares se deben asegurar a la estructura del techo.

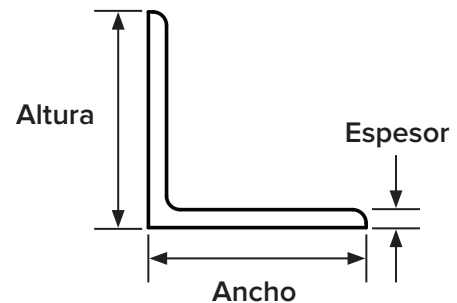
1. Seleccionar perfiles angulares adecuados

Longitud del perfil angular (entre puntos de montaje)	Dimensiones mínimas del perfil angular (ancho x alto x espesor)	Número de perfiles angulares necesarios
6 ft (1.8 m) o menos	2.5 in. x 2.5 in. x 0.25 in. (64 x 64 x 6 mm)	2
> 6 a 8 ft (> 1.8 a 2.4 m)	3 in. x 3 in. x 0.25 in. (76 x 76 x 6 mm)	2
> 8 a 12 ft (> 2.4 a 3.7 m)	3 in. x 3 in. x 0.25 in. (76 x 76 x 6 mm)	4 ¹

1. Se requieren dos pares de perfiles angulares.



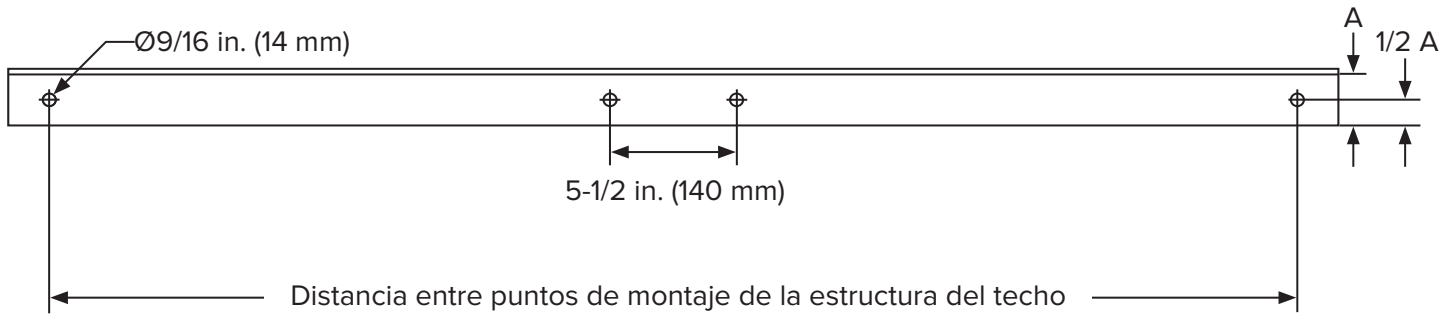
Vista lateral del perfil angular
(ver dimensiones en la tabla)



2. Perforar los perfiles angulares

Perfore dos orificios $\varnothing 9/16$ in. (14 mm) separados exactamente 5-1/2 in. (140 mm) en los centros de los dos perfiles.

Mida la distancia entre los puntos de montaje de la estructura del techo que cubrirán los perfiles angulares. Mida la misma distancia sobre los perfiles angulares y perfore un orificio $\varnothing 9/16$ in. (14 mm) en cada extremo de los perfiles. Si la longitud a cubrir es de 8 ft (2.4 m) o menos, perfore orificios en los extremos de dos perfiles angulares. Si la longitud a cubrir es mayor de 8 ft (2.4 m), perfore orificios en los extremos de cuatro perfiles angulares.



3. Unir los perfiles angulares entre sí (si la longitud del tramo es > 8 ft [2.4 m])

Si la longitud del tramo es de 8 ft (2.4 m) o menos, salte al paso 4.

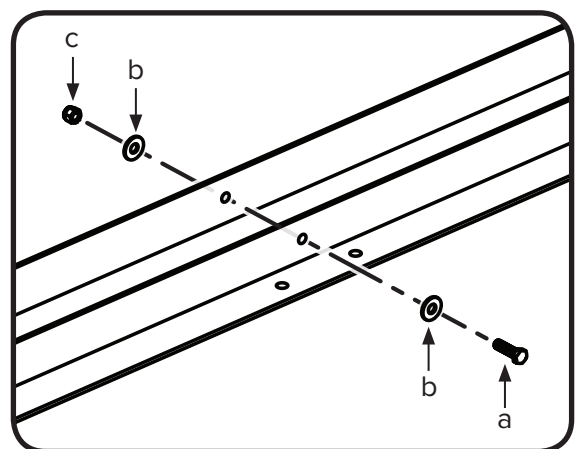
Si la longitud a cubrir es mayor de 8 ft (2.4 m), use perfiles angulares dobles. Ubique el centro de los perfiles angulares. Perfore un orificio $\varnothing 9/16$ in. (14 mm) en el centro de la pared vertical de cada perfil angular. Perfore un total de cuatro perfiles.

Coloque dos perfiles angulares perforados espalda contra espalda y únalos entre sí usando accesorios Grado 8. Alinee los perfiles angulares entre sí y ajuste los pernos con **40 ft·lb (54.2 N·m)** usando una llave de torsión y un casquillo de 3/4 in (19 mm).

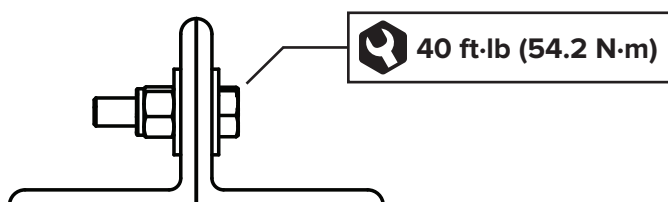
Repita este paso para los otros dos perfiles angulares.

Accesorios para perfiles angulares Grado 8 (suministrados por el instalador):

- (2) Pernos de 1/2-13 GR 8.
- (4) Arandelas de 1/2 in. GR 8.
- (2) Tuercas Nylock de 1/2-13 GR 8.



Vista lateral

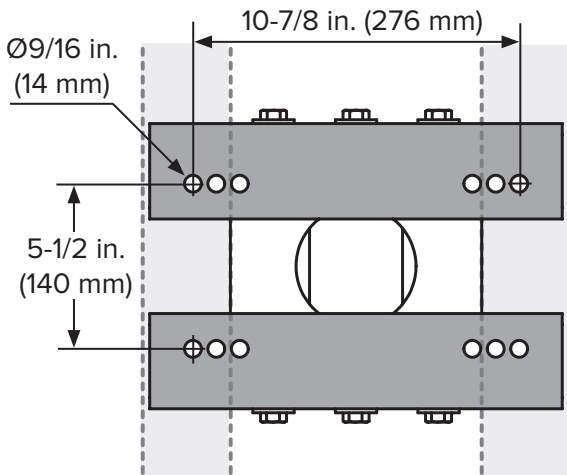


4. Determinar los puntos de montaje en la estructura del techo

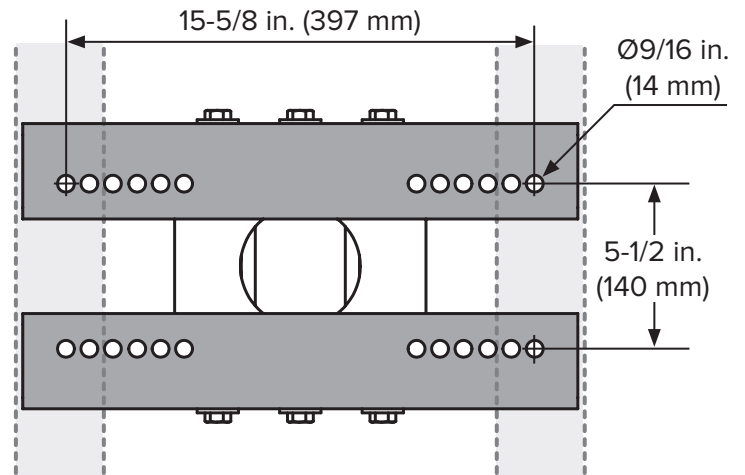


Los perfiles angulares deben estar alineados con los orificios más externos de la montura superior.

Determinar en la estructura del techo los puntos de montaje para los perfiles angulares. Consulte las distancias apropiadas entre los perfiles angulares en el diagrama que aparece a continuación. Las líneas discontinuas representan los perfiles angulares.

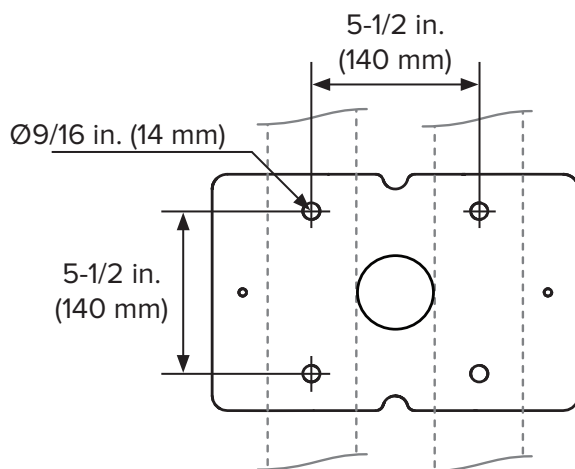


Montura superior pequeña (estándar)
13-3/4 in. x 9-1/2 in. (349 x 241 mm)



Montura superior grande (opcional)
18-1/2 in. x 9-1/2 in. (470 x 241 mm)

Instalación directa



Parte superior de la unidad principal
del ventilador

5. Asegurar los perfiles angulares a los puntos de montaje en la estructura del techo

Asegure cada extremo de los perfiles angulares a los puntos de montaje en el techo usando accesorios Grado 8. **No ajuste totalmente los accesorios.**

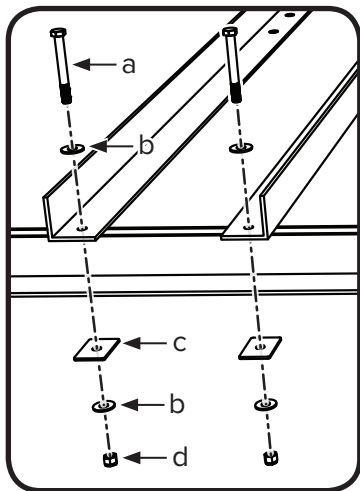
Perfiles angulares simples: Ubique los perfiles angulares de manera que las patas horizontales estén enfrentadas (o que las patas verticales estén del lado exterior).

Perfiles angulares dobles: Ubique los perfiles angulares que tienen los orificios de montaje para el ventilador en la parte interior, enfrentados entre sí.

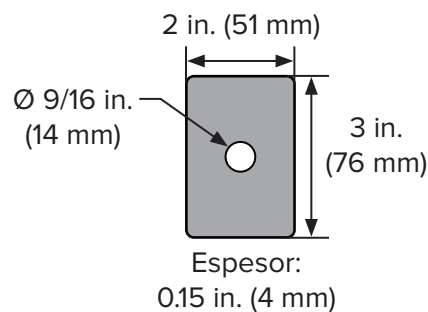
Accesorios para perfiles angulares Grado 8 (suministrados por el instalador):

- (4 u 8) Pernos 1/2-13 GR 8.
- (8 o 16) Arandelas de 1/2 in. GR 8.
- (4 u 8) Arandelas rectangulares de 2 in. x 3 in. (51 x 76 mm) (provistas; ver diagrama).
- (4 u 8) Tuercas Nylock de 1/2-13 GR 8.

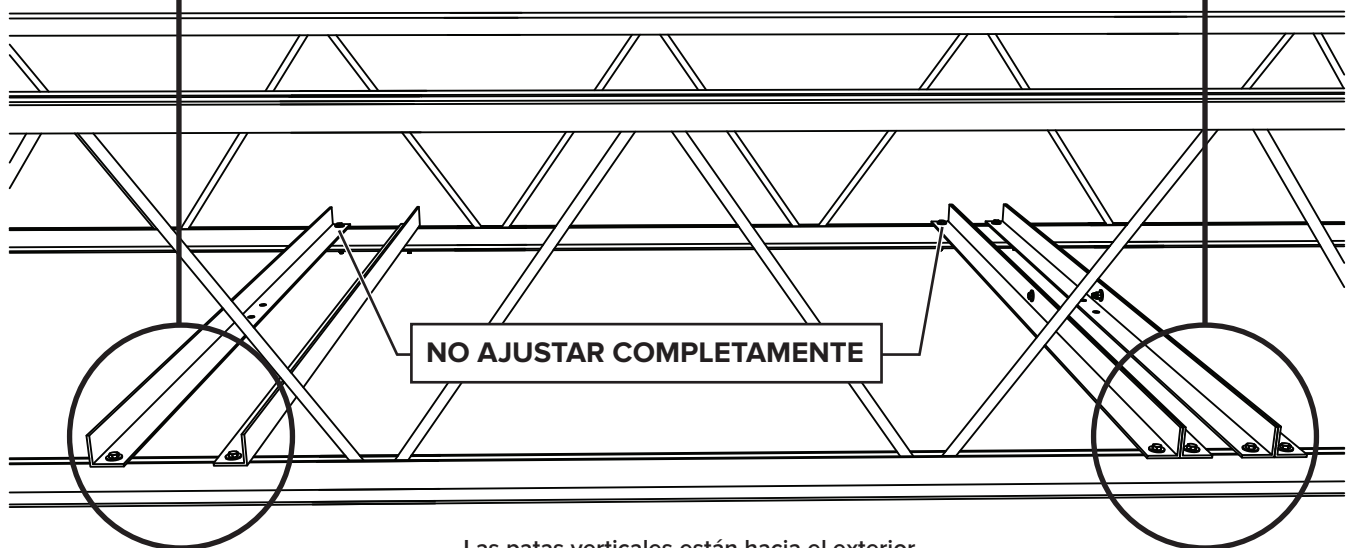
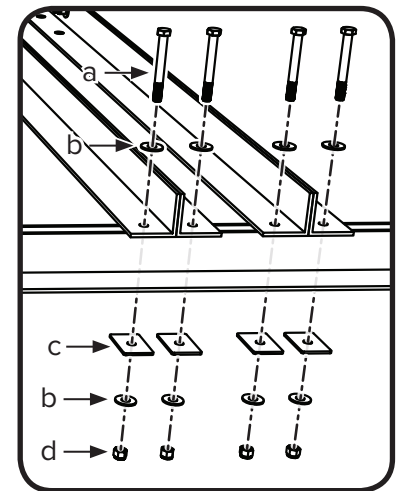
Perfiles angulares simples



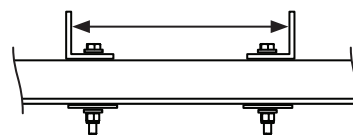
Arandela rectangular



Perfiles angulares dobles



Las patas verticales están hacia el exterior.



PREPARAR LA ESTRUCTURA DE MONTAJE: VIGA DOBLE T

Guía para la instalación en viga doble T

- ✓ Big Ass Fans no recomienda instalar el ventilador en una viga doble T armada.
- ✓ No instale el ventilador directamente en una viga doble T sin la montura superior, el tubo de extensión y la brida inferior.
- ✓ La viga doble T debe ser parte de la estructura existente del edificio.

Seleccionar los orificios de montaje

Mida el ancho del ala de la viga doble T de la cual se colgará el ventilador. Seleccione los orificios de montaje de la montura superior que coincidan con el ancho del ala

Montura superior pequeña (estándar)

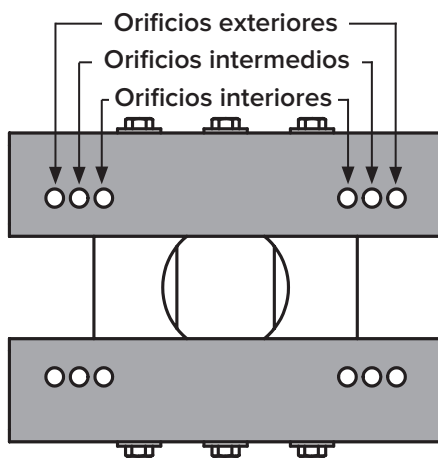
13-3/4 in. x 9-1/2 in. (349 x 241 mm)

Ancho de ala de la viga doble T	Orificios de montaje
5 in. a 6-5/8 in. (127 a 168 mm)	Orificios interiores
> 6-5/8 in. a 8-1/4 in. (> 168 a 210 mm)	Orificios intermedios
> 8-1/4 in. a 9-7/8 in. (> 210 a 251 mm)	Orificios exteriores

Montura superior grande (opcional)

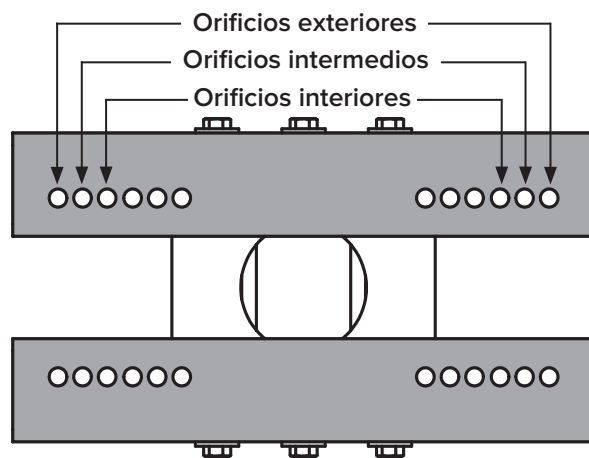
18-1/2 in. x 9-1/2 in. (470 x 241 mm)

Ancho de ala de la viga doble T	Orificios de montaje
9-7/8 in. to 11-3/8 in. (251 to 289 mm)	Orificios interiores
> 11-3/8 in. to 13 in. (> 289 to 330 mm)	Orificios intermedios
> 13 in. to 14-5/8 in. (> 330 to 371 mm)	Orificios exteriores



Montura superior pequeña (estándar)

13-3/4 in. x 9-1/2 in. (349 x 241 mm)



Montura superior grande (opcional)

18-1/2 in. x 9-1/2 in. (470 x 241 mm)

INSTALAR EL VENTILADOR

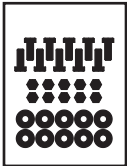
⚠ ADVERTENCIA: ¡Desconecte la alimentación eléctrica de los lugares donde instalará el ventilador y el controlador antes de comenzar el proceso!

1. Armar la montura superior

Si va a instalar el ventilador directamente en los perfiles angulares sin la montura superior, el tubo de extensión y la brida inferior, salte al paso 7b.

Asegure los soportes de la brida superior al soporte del pivote usando los accesorios para montaje estándar. Ajuste los pernos con **40 ft·lb (54.2 N·m)** usando una llave de torsión y un casquillo de 3/4 in. (19 mm).

Asegure los soportes de montaje al soporte del pivote usando los accesorios para montaje estándar restantes, pero no los apriete demasiado. Instale los pernos centrales primero. **No ajuste totalmente los accesorios.** Esto permite ajustar los perfiles después de que la montura superior esté unida a la estructura de montaje.

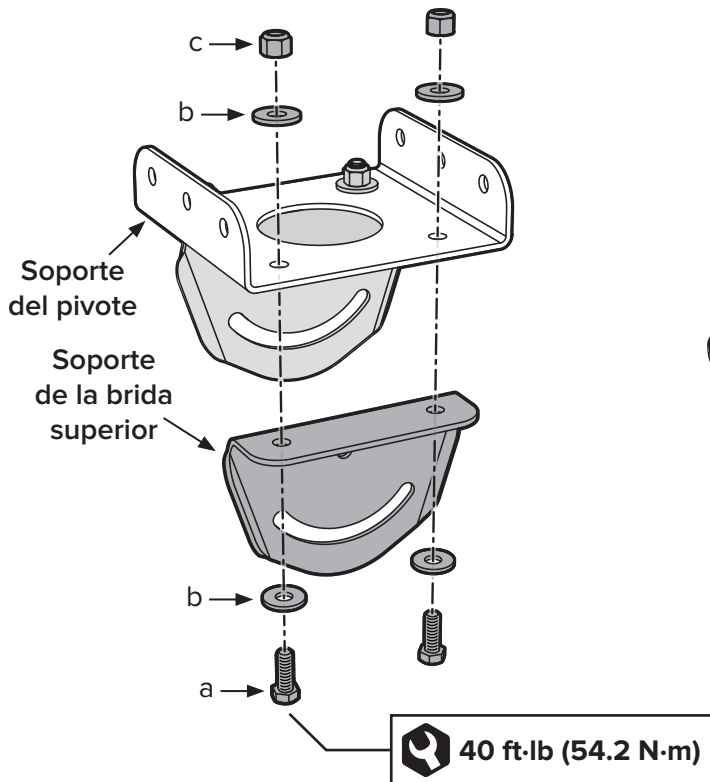


Placa de accesorios para montaje estándar

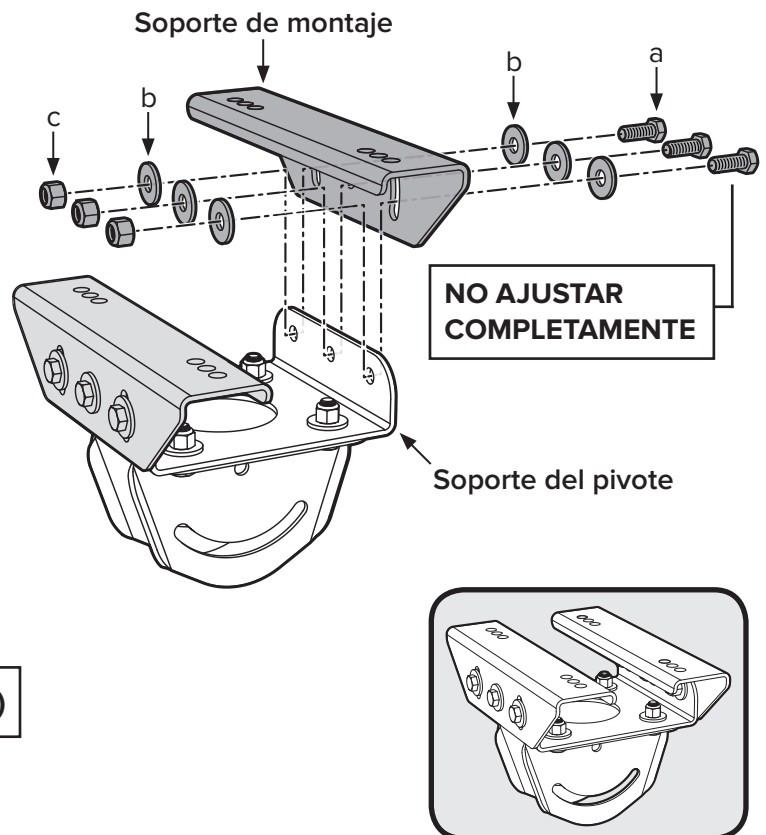
Placa de accesorios para montaje estándar:

- a. (10) pernos de 1/2-13 x 1-1/2 in. GR 8.
- b. (20) Arandelas planas de 1/2 in.
- c. (10) Tuercas Nylock de 1/2-13.

Instalar los soportes de la brida superior



Instalar los soportes de montaje

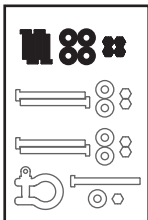


2. Asegurar la montura superior a la estructura de montaje



Los perfiles angulares deben estar alineados con los orificios más externos de la montura superior. Nunca use sujetadores para viga en los perfiles angulares. Los espaciadores solo se utilizan en las vigas doble T cuando el ala tiene más de 3/8 in. (10 mm). Verifique que los espaciadores estén orientados de la manera ilustrada.

Asegure la montura superior a los perfiles angulares o a la viga doble T usando los accesorios para la estructura de montaje. Ajuste los pernos con **40 ft·lb (54.2 N·m)** usando una llave de torsión y un casquillo de 3/4 in. (19 mm). Después de asegurar la montura superior a los perfiles angulares, apriete todos los pernos que aseguran los perfiles angulares a la estructura del techo con **40 ft·lb (54.2 N·m)** usando una llave de torsión y un casquillo de 3/4 in. (19 mm).

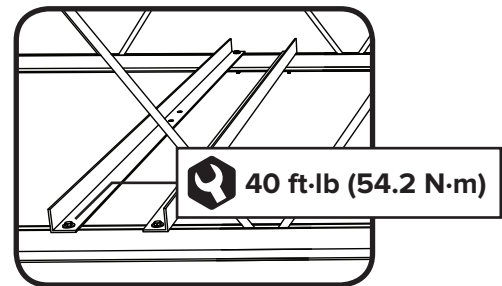


Placa de accesorios para montaje industrial

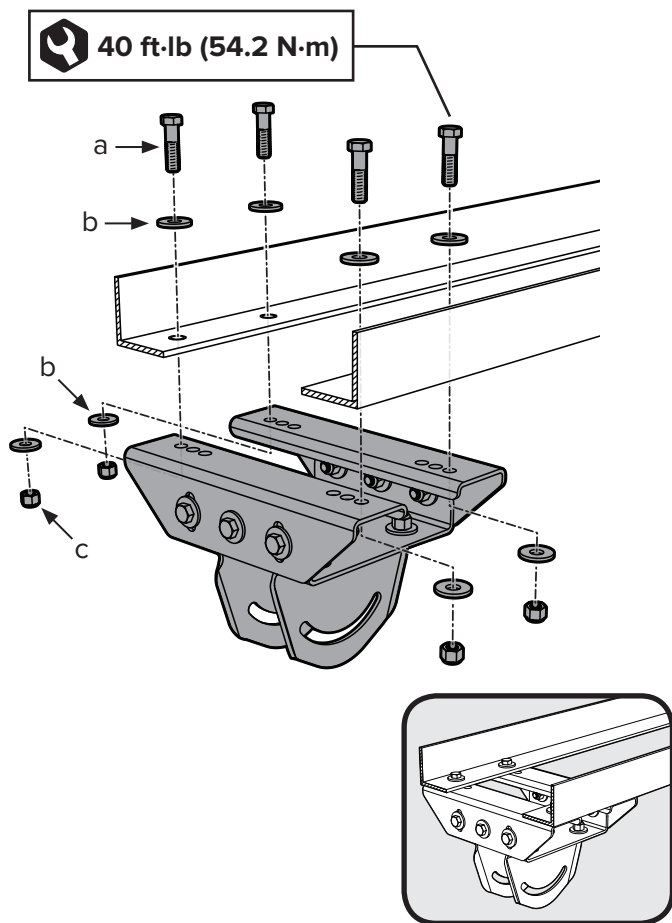
Accesorios para la estructura de montaje:

- (4) Pernos GR 8 de 1/2-13 in.
- (8) Arandelas planas de 1/2 in.
- (4) Tuercas Nylock de 1/2-13.
- (2) Sujetadores para viga (solo viga doble T).
- (2) Espaciadores (solo viga doble T si el ancho de ala es mayor de 3/8 in. [10 mm]).

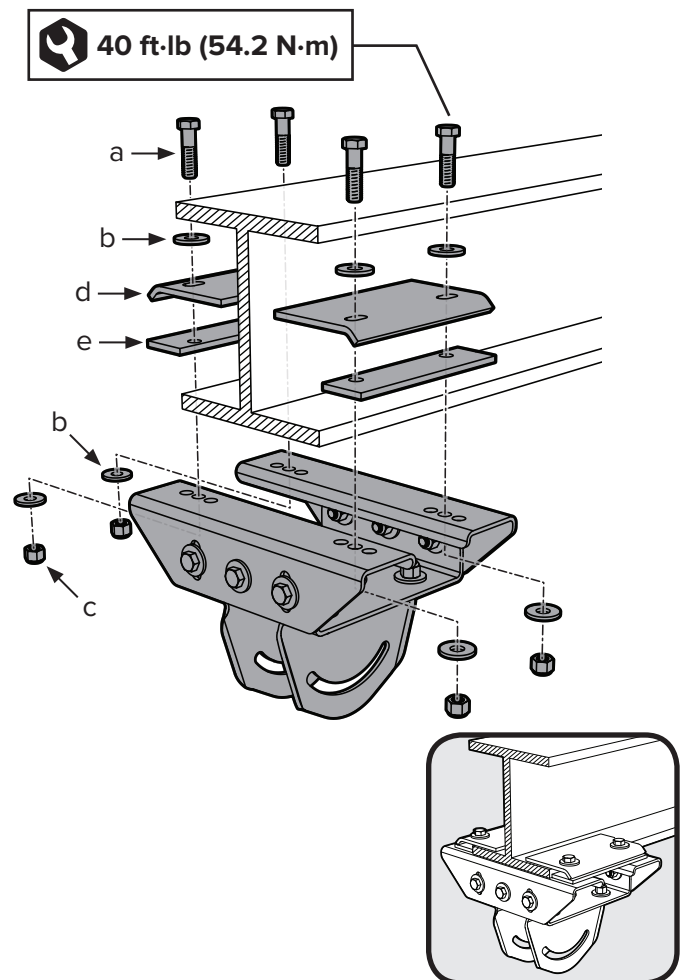
Estructura del techo



Perfiles angulares

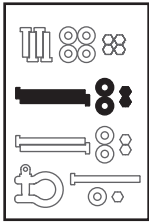


Viga doble T



3. Instalar el tubo de extensión

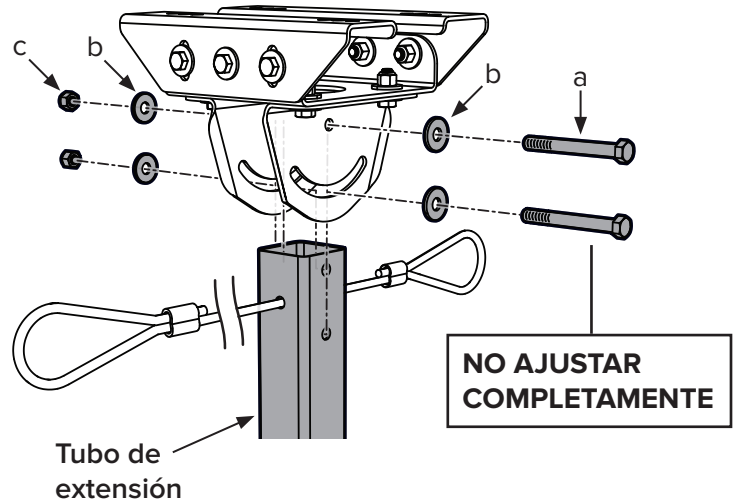
Asegure el tubo de extensión a la montura superior usando los accesorios del tubo de extensión. **No ajuste totalmente los accesorios.**



Placa de accesorios para montaje industrial

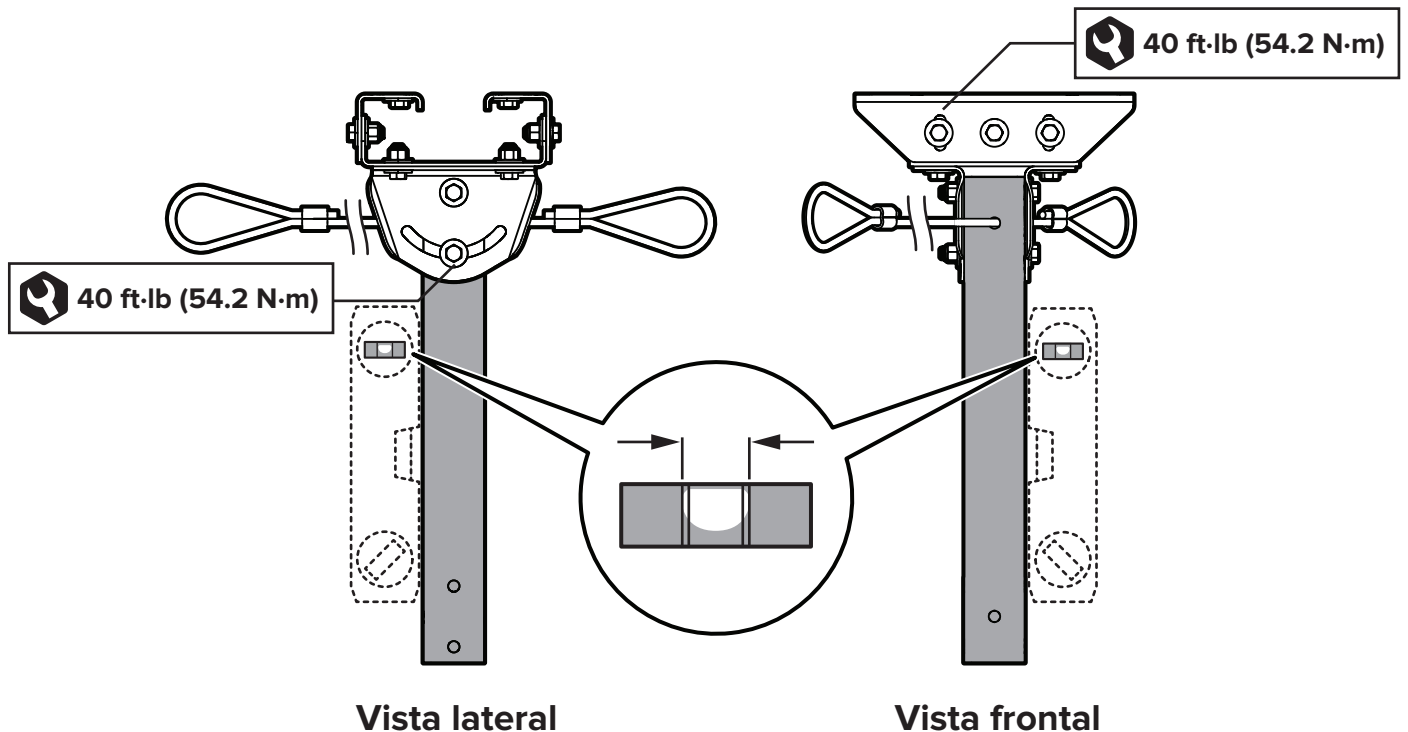
Accesorios del tubo de extensión:

- a. (2) Pernos GR 8 de 1/2-13 x 5 in.
- b. (4) Arandelas planas de 1/2 in.
- c. (2) Tuercas Nylock de 1/2-13.



4. Confirmar la orientación y ajustar los accesorios

Permita que el tubo de extensión cuelgue de manera que esté vertical y horizontalmente nivelado, ajustando los perfiles a la montura superior según sea necesario. Una vez que el tubo esté correctamente ubicado, ajuste los accesorios del tubo de extensión y los de la montura estándar con **40 ft·lb (54.2 N·m)** usando una llave de torsión y un casquillo de 3/4 in. (19 mm). **Primero ajuste los pernos centrales de los accesorios para montaje estándar.**

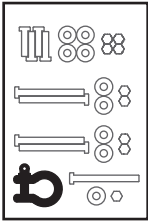


5. Asegurar el cable de seguridad superior



El cable de seguridad superior es una parte fundamental del ventilador y debe ser instalado correctamente. Si tiene alguna pregunta, comuníquese con el Servicio de Atención al Cliente para solicitar asistencia.

Envuelva el cable de seguridad (previamente unido al tubo de extensión) alrededor de los perfiles angulares o la viga doble T y asegure los extremos en forma de lazo con el grillete. El cable se debe envolver firmemente alrededor de la estructura de montaje dejando la menor holgura posible, con el grillete ubicado en la cara superior de la estructura. Ajuste firmemente el grillete.

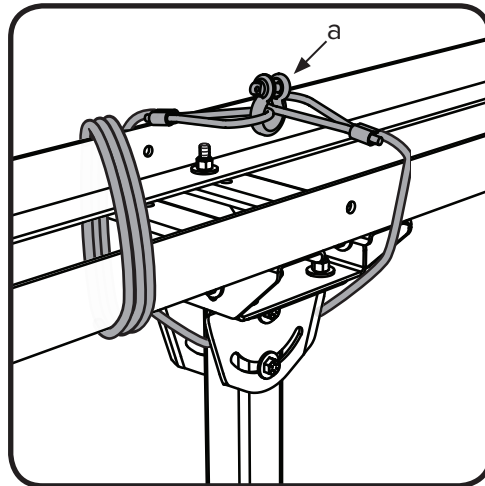


Placa de accesorios para montaje industrial

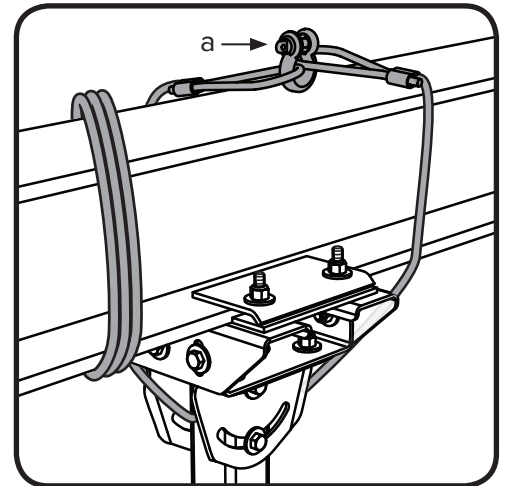
Accesorios del cable de seguridad:

- a. Grillete.

Perfiles angulares

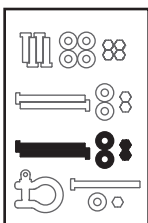


Viga doble T



6. Instalar los soportes de la brida inferior

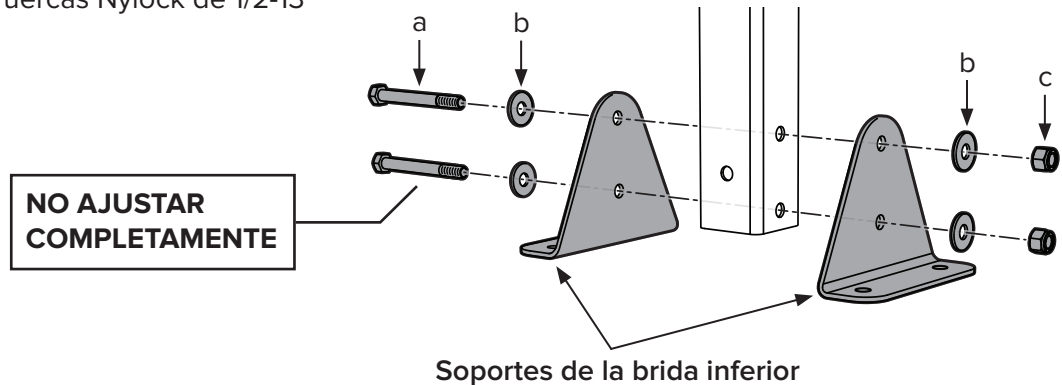
Asegure los soportes de la brida inferior a la parte inferior del tubo de extensión usando los accesorios de la brida inferior. **No ajuste totalmente los accesorios.**



Placa de accesorios para montaje industrial

Accesorios para la brida inferior:

- a. (2) Pernos GR 8 de 1/2-13 x 5 in.
- b. (4) Arandelas planas de 1/2 in.
- c. (2) Tuercas Nylock de 1/2-13



7a. Instalar la unidad principal del ventilador

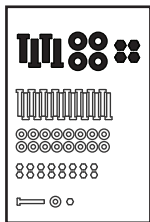
Si va a instalar el ventilador directamente en los perfiles angulares sin la montura superior, el tubo de extensión y la brida inferior, salte al paso 7b.



Los cables de seguridad inferiores son una parte fundamental del ventilador y deben ser instalados correctamente. Si tiene alguna pregunta, comuníquese con el Servicio de Atención al Cliente para solicitar asistencia.

Asegure la unidad principal del ventilador a los soportes de la brida inferior usando los accesorios de la unidad principal del ventilador. *No apoye la unidad principal del ventilador ni el cubo en el piso.* Ajuste los pernos con **40 ft·lb (54.2 N·m)** usando una llave de torsión y un casquillo de 3/4 in. (19 mm).

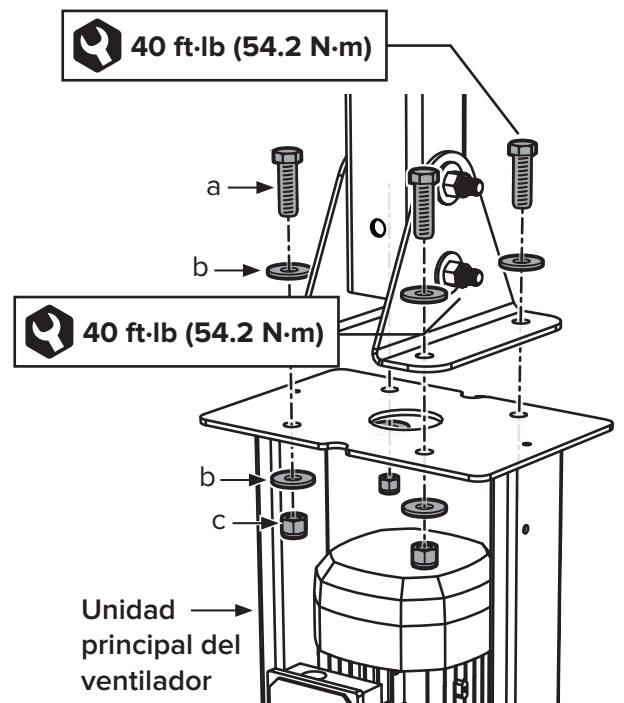
Después de asegurar la unidad principal del ventilador a los soportes de la brida inferior, apriete todos los pernos que aseguran estos soportes al tubo de extensión con **40 ft·lb (54.2 N·m)** usando una llave de torsión y un casquillo de 3/4 in. (19 mm).



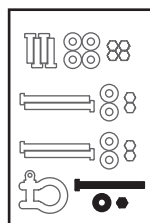
Placa de accesorios del motor y las aspas aerodinámicas

Accesorios del motor:

- a. (4) pernos de 1/2-13 x 1-3/4 in. GR 8.
- b. (8) Arandelas planas de 1/2 in.
- c. (4) Tuercas Nylock de 1/2-13.



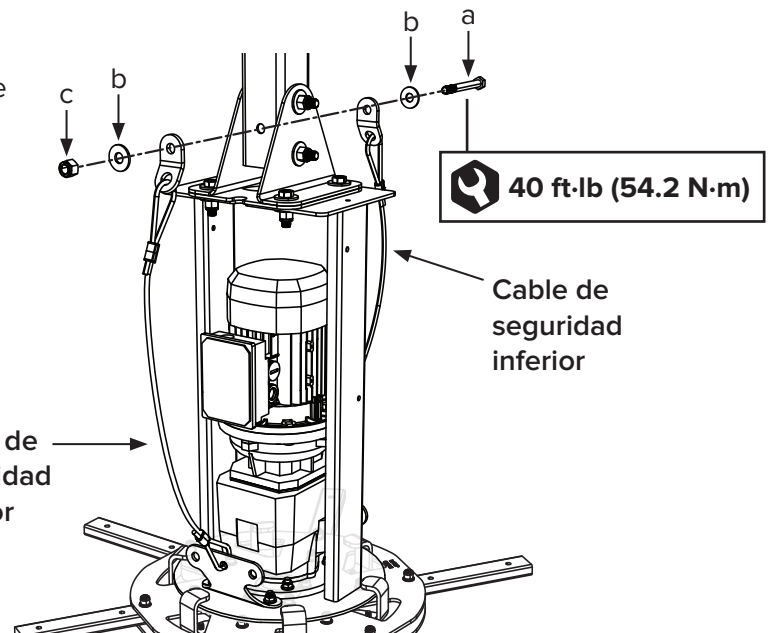
Asegure los dos cables de seguridad inferiores (previamente unidos a la unidad principal del ventilador) a la parte inferior del tubo de extensión usando los accesorios del cable de seguridad. Ajuste el perno con **40 ft·lb (54.2 N·m)** usando una llave de torsión y un casquillo de 3/4 in. (19 mm).



Placa de accesorios para montaje industrial

Accesorios del cable de seguridad:

- a. Perno 1/2-13 x 4-3/4 in. GR 8.
- b. (2) Arandelas planas de 1/2 in.
- c. Tuerca Nylock de 1/2-13.

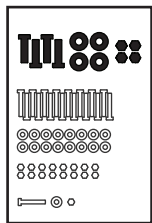


7b. Instalar la unidad principal del ventilador (montaje directo)



Los cables de seguridad inferiores son una parte fundamental del ventilador y deben ser instalados correctamente. Si tiene alguna pregunta, comuníquese con el Servicio de Atención al Cliente para solicitar asistencia.

Asegure la unidad principal del ventilador directamente a los perfiles angulares usando los accesorios del motor. *No apoye la unidad principal del ventilador en el piso.* Ajuste los pernos con **40 ft-lb (54.2 N-m)** usando una llave de torsión y un casquillo de 3/4 in. (19 mm). Después de asegurar la unidad principal del ventilador a los perfiles angulares, apriete todos los pernos que aseguran los perfiles angulares a la estructura del techo con **40 ft-lb (54.2 N-m)** usando una llave de torsión y un casquillo de 3/4 in. (19 mm).

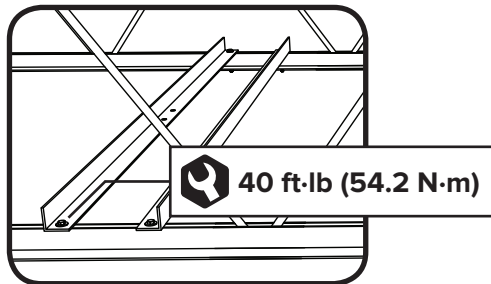


Placa de accesorios del motor y las aspas aerodinámicas

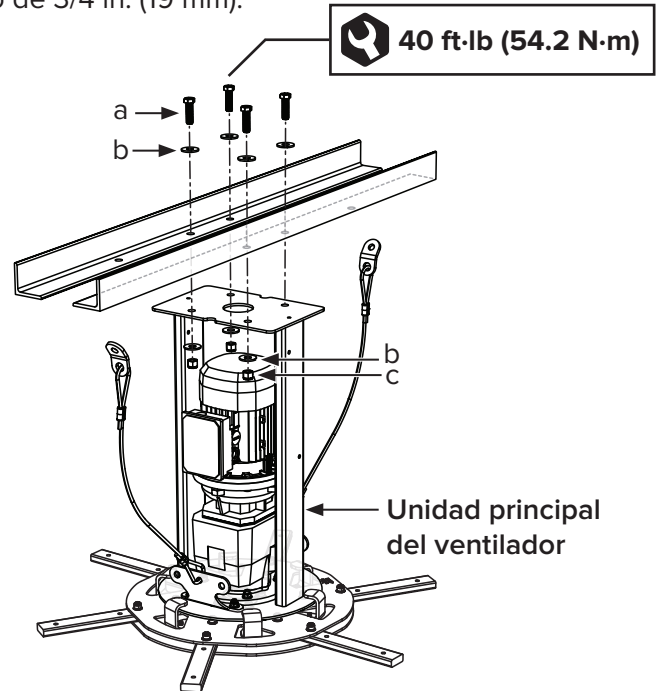
Accesorios del motor:

- a. (4) pernos de 1/2-13 x 1-3/4 in. GR 8.
- b. (8) Arandelas planas de 1/2 in.
- c. (4) Tuercas Nylock de 1/2-13.

Estructura del techo



40 ft-lb (54.2 N-m)



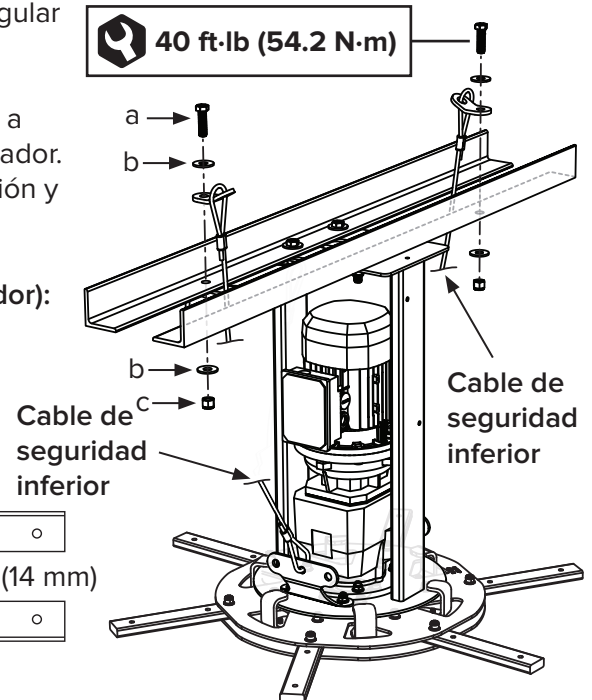
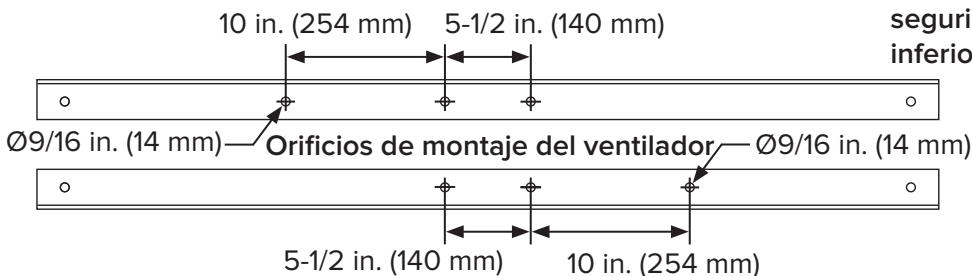
40 ft-lb (54.2 N-m)

Unidad principal del ventilador

Perfore un orificio $\varnothing 9/16$ in. (14 mm) en el centro de cada perfil angular exactamente a 10 in. (254 mm) de los agujeros de montaje para el ventilador como se ilustra. Asegure los dos cables de seguridad inferiores (previamente unidos a la unidad principal del ventilador) a los orificios usando accesorios Grado 8 suministrados por el instalador. Ajuste los pernos con **40 ft-lb (54.2 N-m)** usando una llave de torsión y un casquillo de 3/4 in. (19 mm).

Accesorios para los cables de seguridad (provistos por el instalador):

- a. (2) pernos de 1/2-13 x 1-1/2 in. GR 8.
- b. (4) Arandelas planas de 1/2 in.
- c. (2) Tuercas Nylock de 1/2-13.



40 ft-lb (54.2 N-m)

Cable de seguridad inferior

Cable de seguridad inferior

8. Instalar el VFD en la pared

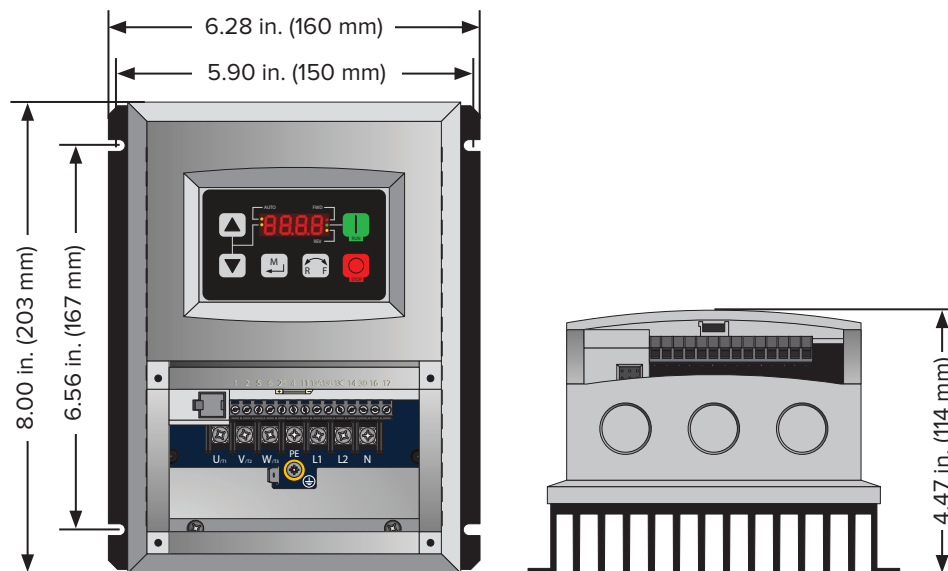
A. Seleccionar el lugar donde realizará la instalación

Al seleccionar el lugar de instalación del VFD, tenga en cuenta las siguientes recomendaciones:

- ✓ Instale el VFD en una superficie plana y fácilmente accesible, libre de vibraciones y lejos de cualquier objeto extraño o equipo en movimiento.
- ✓ No instale ningún VFD adyacente ni por encima de una fuente de calor ni de un equipo que genere calor.
- ✓ La temperatura debe estar comprendida entre 14 y 122°F (-10 y 50°C), con un rango de humedad relativa de 0 a 95% (sin condensación).
- ✓ No exponga el VFD a una atmósfera corrosiva ni a la luz solar directa.
- ✓ El ventilador se debe poder ver desde el VFD.
- ✓ Mantenga una distancia de al menos 6 in. (152 mm) entre diferentes VFD.

B. Instalar el VFD

Asegure el VFD a la pared usando un tornillo #8–#10. En el diagrama siguiente se indican las dimensiones de los agujeros de montaje.



9. Cablear y probar el ventilador

⚠ ADVERTENCIA: ¡Desconecte la alimentación eléctrica del lugar de instalación antes de cablear el ventilador!

El VFD incluye un cable de alimentación de CA de 10 ft (3 m) ya conectado. Asegúrese de que los cables de la alimentación eléctrica lleguen hasta un tomacorriente en el lugar donde instalará el VFD. El ventilador incluye un cable de 50 ft (15.2 m) ya conectado al motor. Conecte el cable del motor al VFD de acuerdo con el diagrama apropiado de la sección *Diagramas de cableado del VFD*. Si necesita extender los cables de salida del VFD/ entrada del motor, use cable trenzado. Energice y pruebe el ventilador.

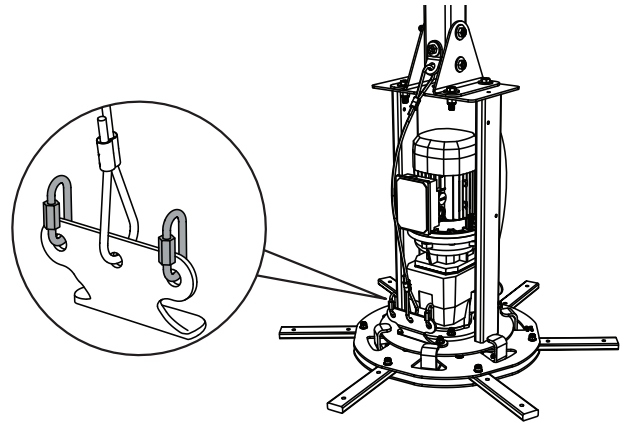
10. Instalar los cables de sujeción

⚠ ADVERTENCIA: ¡Desconecte el ventilador de la alimentación eléctrica antes de instalar los cables de sujeción!

✍ Nota: Solo se incluyen cables de sujeción si el tubo de extensión del ventilador tiene 4 ft (1.2 m) o más o si se han pedido por separado.

A. Asegurar los mosquetones de seguridad a la unidad principal del ventilador

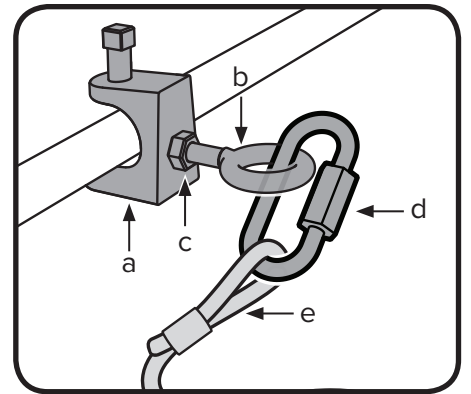
Asegure cuatro mosquetones de seguridad a los soportes de la unidad principal del ventilador. Ajuste firmemente los mosquetones.



B. Instalar las abrazaderas para viga y los cables de sujeción a la estructura de montaje

Asegure cada abrazadera para viga a la estructura de montaje formando un ángulo de aproximadamente 45° con respecto a la horizontal. Ajuste bien el tornillo de fijación para asegurar la abrazadera. Asegure el perno de argolla pequeño y la tuerca a la abrazadera. La tuerca estará del lado de afuera de la abrazadera.

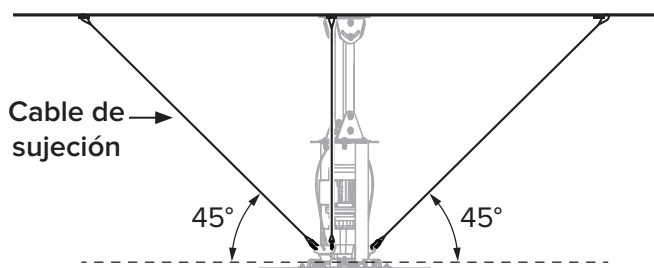
Coloque el lazo en el extremo de cada cable de sujeción en un mosquetón de seguridad y asegúrelo a cada perno de argolla. Ajuste firmemente los mosquetones. *Para lograr el mejor resultado posible, los cables de sujeción se deben instalar a 45° en los planos X-Y, Y-Z y X-Z. Si el ángulo difiere en más de 15°, comuníquese con el Servicio de Atención al Cliente para solicitar asistencia.*



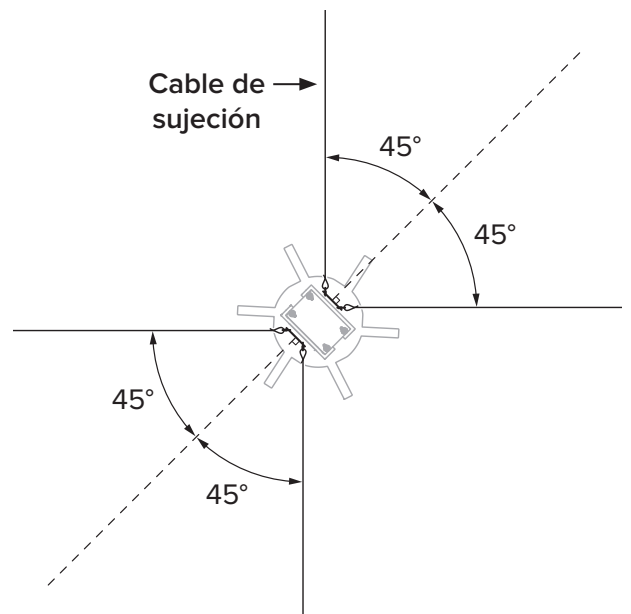
Accesorios para los cables de sujeción:

- a. (4) Abrazaderas para viga de 1/4-20.
- b. (4) Pernos de argolla de 1/4-20 x 1 in.
- c. (4) Tuercas hexagonales de 1/4-20.
- d. (4) Mosquetones de seguridad.
- e. (4) Cables de sujeción.

Vista lateral (X-Y)



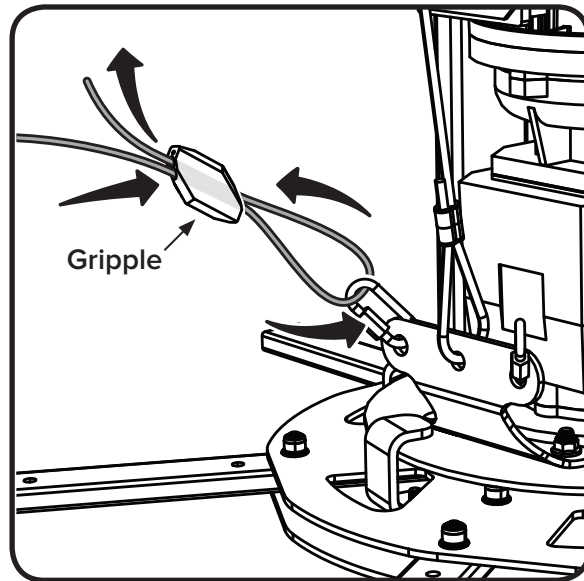
Vista superior (X-Z)



C. Pasar los cables de sujeción a través de los Gripples

Haga pasar cada cable de sujeción a través de un Gripple® y de un mosquetón en el ventilador. Luego hágalo pasar nuevamente a través del Gripple. *No ajuste los Gripples hasta que todos los cables de sujeción estén instalados.*

★ Para sacar el cable de sujeción de un Gripple, inserte una llave Allen de 1/16 in. (2 mm) en el orificio pequeño del Gripple.



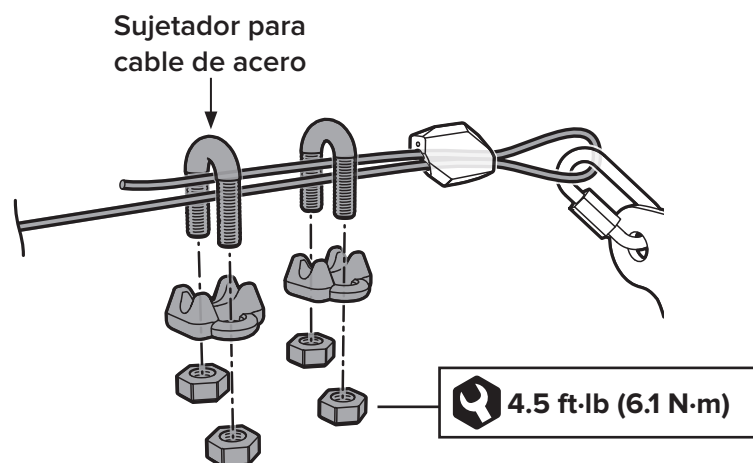
D. Asegurar los cables de sujeción



Si ajusta excesivamente los cables de sujeción, el ventilador puede quedar desbalanceado.

Use los Gripples para tirar uniformemente de los cuatro cables de sujeción y colocarlos en su lugar. Los cables deben quedar tirantes, uniformemente separados alrededor del ventilador y fuera del recorrido de las aspas aerodinámicas. Mantenga una distancia de 6 in. a 8 in. entre los Gripples y los mosquetones.

Una vez que todos los cables de sujeción estén tirantes y correctamente ubicados, asegure los extremos libres usando los sujetadores para cable de acero y ajuste con un par de **4.5 ft·lb (6.1 N·m)**. Verifique que el sistema de cables de sujeción no obstruya ningún cable o conductor eléctrico.

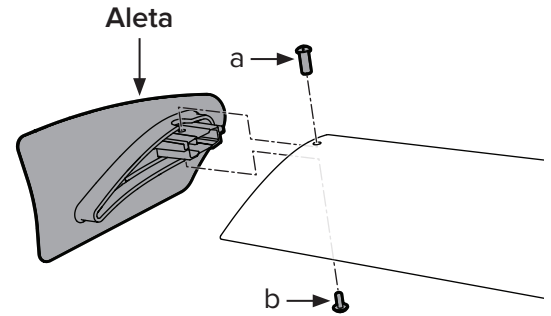


11. Instalar las aspas aerodinámicas

⚠️ ADVERTENCIA: ¡Antes de instalar las aspas aerodinámicas, desconecte el ventilador de la alimentación eléctrica!

A. Asegurar las aletas a las aspas aerodinámicas

Asegure una aleta a cada aspa aerodinámica usando los accesorios de las aletas. Para ajustar correctamente los accesorios, necesitará tanto un destornillador Phillips como un destornillador de cabeza plana. Antes de instalar las aspas aerodinámicas en el ventilador, asegure una aleta en cada aspa.



Placa de accesorios de las aletas

Accesorios para las aletas:

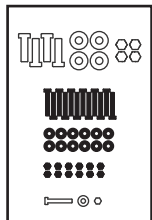
- a. (6) Cilindros de 10-24 x 3/4 in.
- b. (6) Pernos de 10-24 x 1/2 in.

B. Asegurar las aspas aerodinámicas al cubo

Moviéndose alrededor del cubo del ventilador en el sentido de las manecillas del reloj:

1. Coloque las aspas aerodinámicas en las pestañas del cubo del ventilador con sus lados curvos hacia abajo.
2. Coloque los fijadores de las aspas aerodinámicas extremo sobre extremo como se ilustra y asegúrelos con los accesorios para las aspas pero sin apretar demasiado. El Orificio A del fijador debe estar ubicado sobre el Orificio B. *No ajuste totalmente los pernos hasta no haber colocado todos los fijadores de las aspas aerodinámicas.*
3. Repita para las demás aspas aerodinámicas.

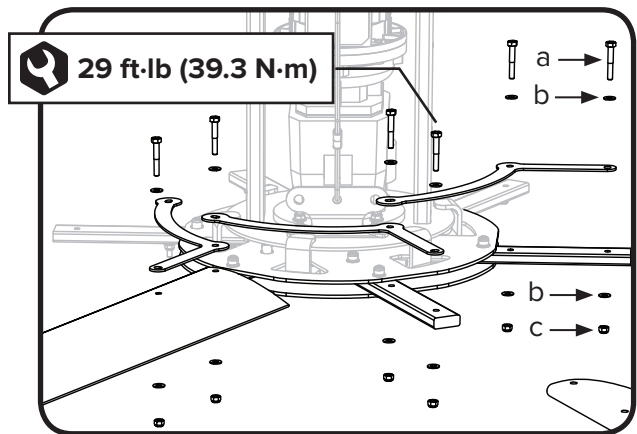
Una vez que todos los fijadores estén colocados, ajuste totalmente los pernos sobre el perímetro exterior con **29 ft·lb (39.3 N·m)** usando una llave de torsión y un casquillo de 1/2 in. (13 mm). Luego de ajustar los pernos del perímetro exterior, ajuste los pernos sobre el perímetro interior con **29 ft·lb (39.3 N·m)** usando una llave de torsión y un casquillo de 1/2 in. (13 mm).



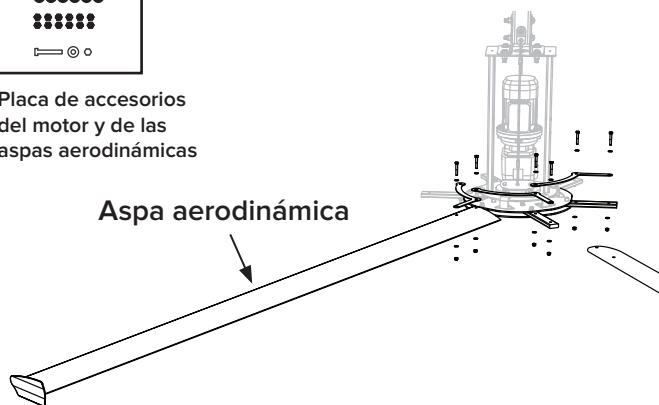
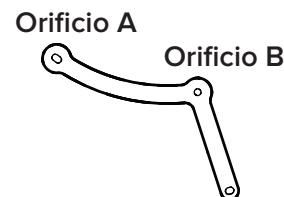
Placa de accesorios del motor y de las aspas aerodinámicas

Accesorios de las aspas aerodinámicas:

- a. (12) pernos de 5/16-18 x 2 in. GR 8.
- b. (24) Arandelas planas de 5/16 in.
- c. (12) Tuercas Nylock de 5/16-18.




Fijador de las aspas aerodinámicas



Más información

Se recomienda realizar una rutina de mantenimiento anual. Para obtener información sobre mantenimiento, operación y resolución de problemas, visite bigassfans.com/support

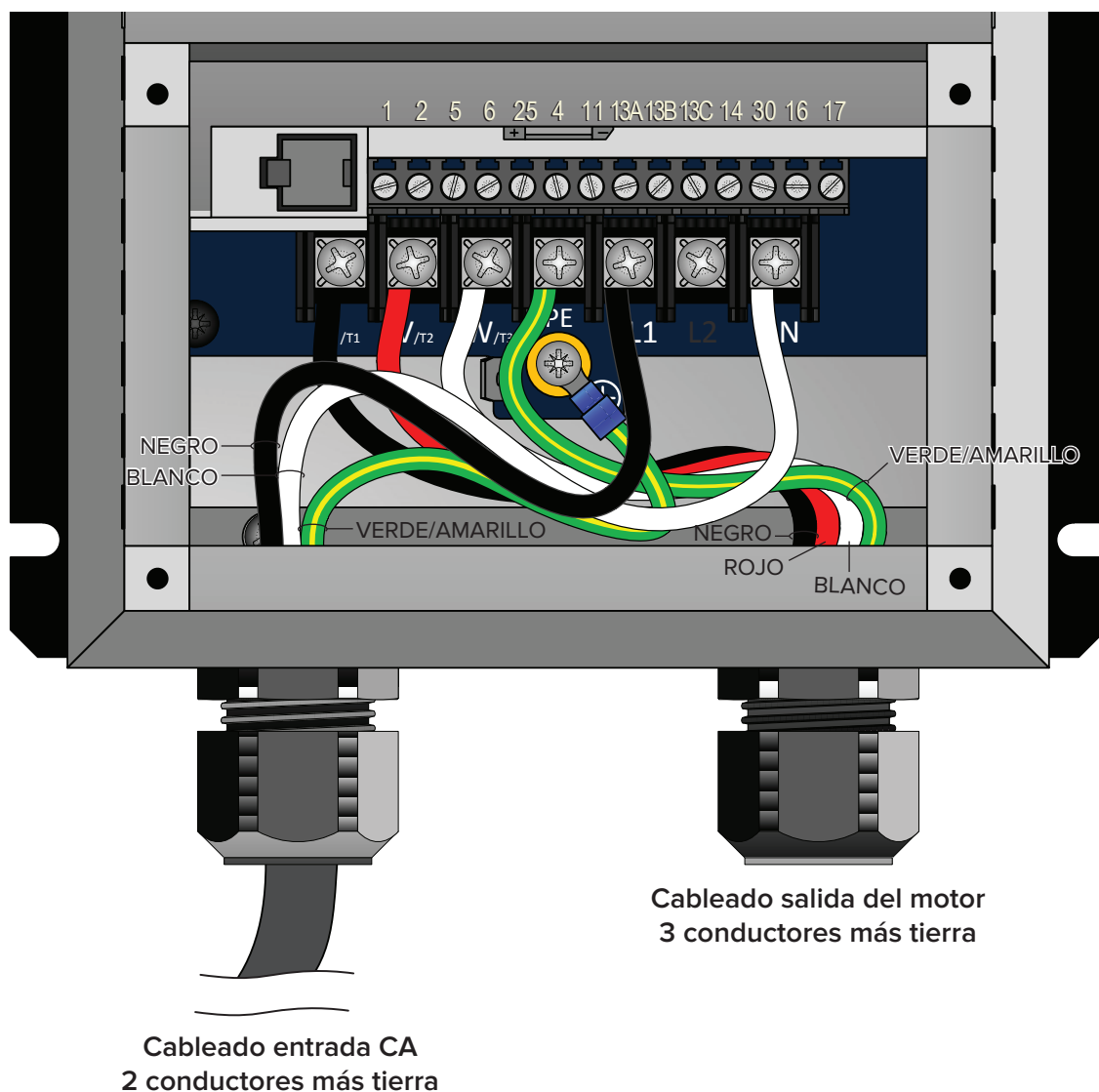
DIAGRAMAS DE CABLEADO DEL VFD

 **Nota:** En los diagramas de cableado del VFD no se ilustra el relé de incendio. En la sección Cableado: Relé de incendio encontrará las instrucciones correspondientes.

Cableado: 100–125 V, monofásico, 50/60 Hz

 **ADVERTENCIA:** Una vez que realice la desconexión, ¡espere tres minutos antes de realizar cualquier mantenimiento!

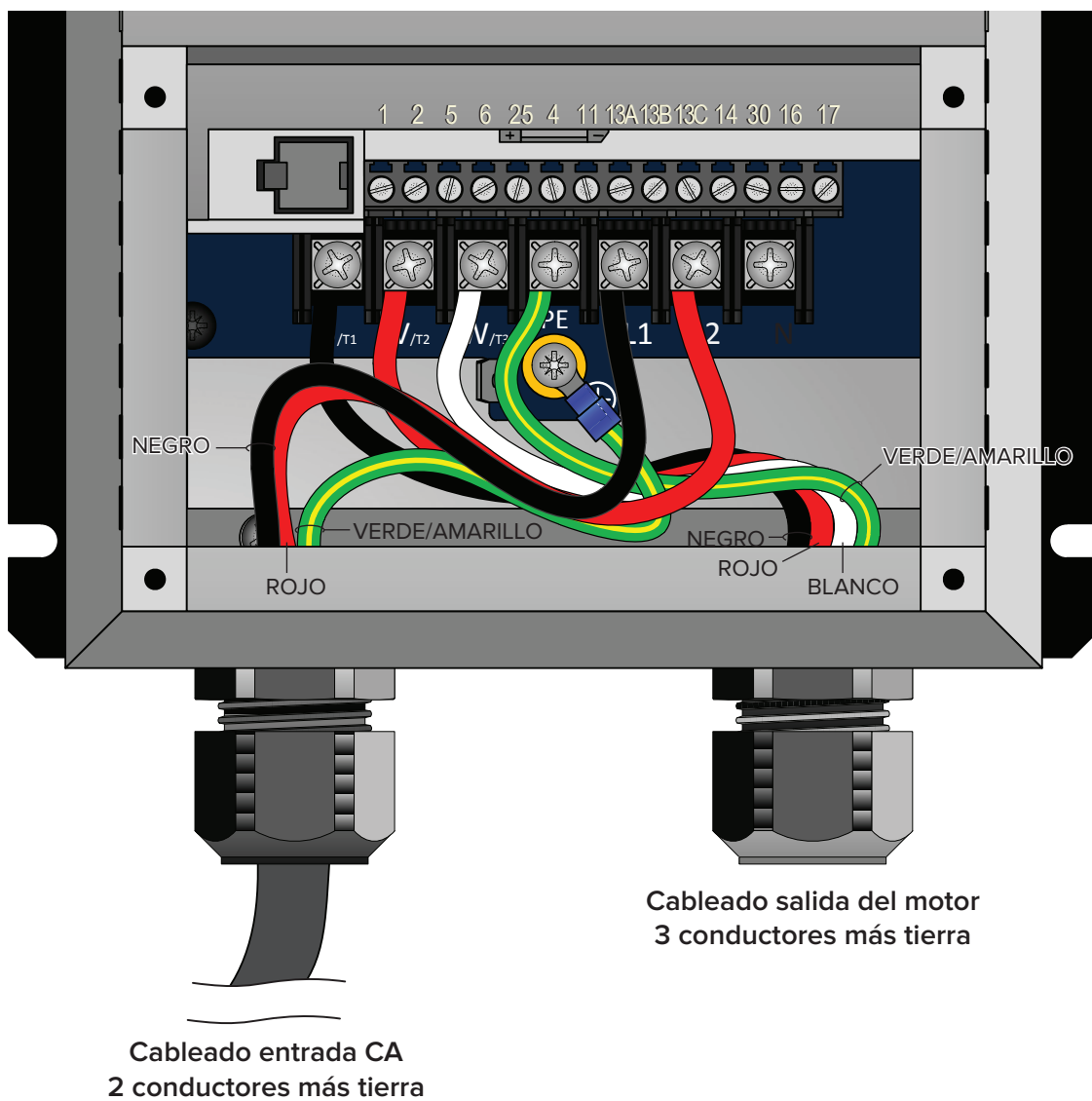
El siguiente diagrama muestra el cableado para un VFD monofásico de 100–125 V y 50/60 Hz. El VFD incluye un cable de alimentación de 10 ft (3 m) ya conectado. El terminal L2 no se utiliza cuando el VFD se cablea para 100–125 V, monofásico. Este VFD no incluye una desconexión.



Cableado opcional: 200–240 V, monofásico, 50/60 Hz

⚠️ ADVERTENCIA: Una vez que realice la desconexión, ¡espere tres minutos antes de realizar cualquier mantenimiento!

El siguiente diagrama muestra el cableado para un VFD monofásico de 200–240 V y 50/60 Hz. El VFD incluye un cable de alimentación de 10 ft (3 m) ya conectado. El terminal neutro no se utiliza cuando el VFD se cablea para 200–240 V, monofásico. Este VFD no incluye una desconexión.



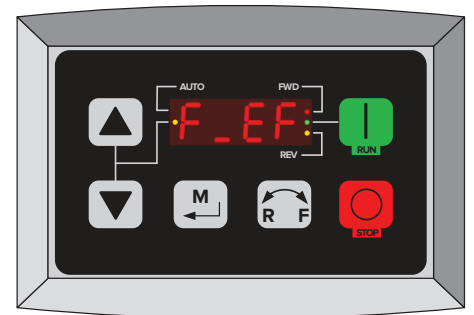
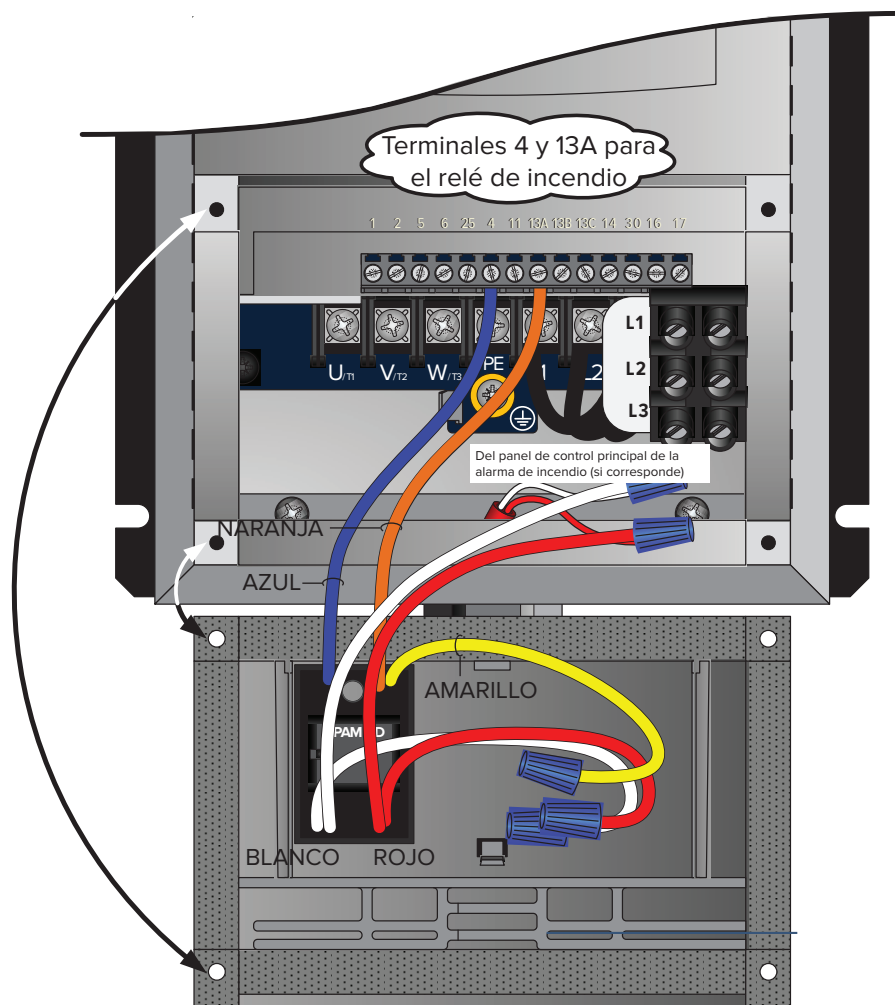
Wiring: Cableado: Relé de incendio

⚠️ ADVERTENCIA: Una vez que realice la desconexión, ¡espere tres minutos antes de realizar cualquier mantenimiento!

El relé de incendio que se incluye con el ventilador solo es necesario si el ventilador se va instalar en un edificio equipado con un sistema de rociadores. Este relé integra el ventilador con el sistema de rociadores y apaga el ventilador al recibir una señal de alarma del sistema. Si el edificio en el cual se va a instalar el ventilador tiene un sistema de rociadores, deberá instalar el relé de acuerdo con las siguientes instrucciones.

El cierre de un contacto entre los terminales de entrada digitales 4 y 13A hará que el ventilador se apague. El relé incluido utiliza un contacto normalmente abierto (NA) como se ilustra a continuación. Para que el ventilador se apague, la bobina del relé debe ser alimentada desde el panel de control de la alarma de incendio. Opcionalmente, se puede utilizar el contacto de relé normalmente cerrado (NC). Para que el ventilador funcione, la bobina del relé debe permanecer alimentada desde el panel de control de la alarma de incendio. Esta opción sería considerada una configuración de cableado a prueba de falla. Se proveen dos terminales adicionales en las bobinas de relé para facilitar la conexión de supervisión donde se requiera.

Instale el relé de incendio en la parte de atrás de la tapa del cableado del VFD.



Una condición de alarma detendrá el ventilador y mostrará una falla externa "F_EF" en la pantalla del VFD.

Detalles contactos/bobina del relé			
Blanco (X2)	(-)	C	Azul
		NC	Amarillo
Rojo (X2)	(+)	NA	Naranja
Bobina: 20–32 VCC a 20 mA			

EN CONTACTO CON NOSOTROS

Hable con un experto de Big Ass Fan. Llámenos a uno de los siguientes números o visite www.bigassfans.com



Servicio de Atención al Cliente

Estados Unidos

2348 Innovation Drive
Lexington, KY 40511
USA
877-244-3267
1 859-233-1271

Australia/Oceanía

35 French Street
Eagle Farm, QLD 4009
Australia
07 3292 0100

Europa

OBELIS S.A
Bd. Général Wahis, 53
1030 Brussels, Belgium
+32.2.732.59.54

Canadá

6300 Northwest Dr, Unit 3
Mississauga, ON L4V 1J7
Canadá
1-844-924-4277

Sur y Sureste Asiático

18 Tampines Industrial Crescent
#06-07
Singapur 528 605
+65 6709 8500

Malasia (apoyo general)

No 4, Jalan Jururancang U1/21A
Hicom Glenmarie Industrial Park
40150 Shah Alam, Selangor
Malasia
(+603) 5565 0888

México

CEBSA (Corporación Eléctrica del
Bravo SA de CV)
Avenida Ind. Rio San Juan
Lote 3-A Parque Industrial del Norte
Reynosa, Tamps C.P. 88736
<http://cebsainc.com/>
+52 1 899 925 6398



Fabricación y Garantía

Si devuelve un producto a Big Ass Fans para su reciclado de conformidad con la directriz sobre disposición de desechos electrónicos (WEEE), usted deberá proveer y pagar por el envío.

Fabricación

2251 Innovation Drive
Lexington, KY 40511
USA

Devoluciones bajo la garantía y

WEEE

2251 Innovation Drive
Lexington, KY 40511
USA



SPF-INST-245-MUL-01

Rev. A

12/06/2018



BIG ASS FANS[®]

2251 Innovation Drive, Lexington, KY 40511
1 (877) BIG-FANS | WWW.BIGASSFANS.COM